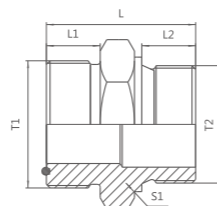


Metric male thread O-ring flat seal / Metric male thread combined gasket seal

Characteristics

Structure type: Thread-Threaded connection
 Structure form: Through
 Connection 1: Metric male thread
 Sealing form: O-ring flat seal
 Connection 2: Metric male thread
 Sealing form: Combination gasket seal
 Supply form: Connector body
 Standard: JB/T966/GB/T19674.2

Material: Carbon steel · Stainless steel · Copper
 Surface protection:
 Trivalent chromium environmental protection zinc layer
 Description:
 For instructions on assembly, embedding,
 and pressure load as well as allowable
 operating temperature, please refer to the
 technical information for fastening sleeve bolts



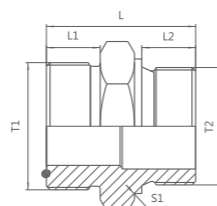
| Drawing No. | T1 | T2 | L | L1 | S2 | S1 | O-ring |
|------------------|---------|---------|------|----|----|----|----------|
| H-GE06M14x1.5 ZH | M14x1.5 | M14x1.5 | 30.5 | 11 | 12 | 19 | 7.5x1.8 |
| H-GE06M16x1.5 ZH | M14x1.5 | M16x1.5 | 31 | 11 | 12 | 22 | 7.5x1.8 |
| H-GE06M18x1.5 ZH | M14x1.5 | M18x1.5 | 32.5 | 11 | 12 | 24 | 7.5x1.8 |
| H-GE06M22x1.5 ZH | M14x1.5 | M22x1.5 | 36.5 | 11 | 14 | 27 | 7.5x1.8 |
| H-GE08M14x1.5 ZH | M16x1.5 | M14x1.5 | 29 | 11 | 12 | 19 | 8.5x1.8 |
| H-GE08M18x1.5 ZH | M16x1.5 | M18x1.5 | 31 | 11 | 12 | 24 | 8.5x1.8 |
| H-GE12M18x1.5 ZH | M22x1.5 | M18x1.5 | 33.5 | 12 | 12 | 24 | 13.2x1.8 |
| H-GE16M22x1.5 ZH | M27x1.5 | M22x1.5 | 38.5 | 13 | 14 | 30 | 17x1.8 |
| H-GE16M33x2 ZH | M27x1.5 | M33x2 | 44 | 13 | 18 | 41 | 19x1.8 |
| H-GE20M18x1.5 ZH | M30x1.5 | M18x1.5 | 38.5 | 14 | 12 | 32 | 19x1.8 |
| H-GE20M27x2 ZH | M30x1.5 | M27x2 | 41 | 14 | 16 | 34 | 23.6x1.8 |
| H-GE25M33x2 ZH | M36x2 | M33x2 | 49 | 16 | 18 | 41 | 23.6x1.8 |
| H-GE25M48x2 ZH | M36x2 | M48x2 | 53 | 16 | 22 | 60 | 29x1.8 |
| H-GE35M42x2 ZH | M45x2 | M42x2 | 56 | 21 | 20 | 50 | 29x1.8 |
| H-GE38M48x2 ZH | M52x2 | M48x2 | 61 | 22 | 22 | 60 | 31.5x1.8 |

Metric male thread O-ring flat seal / British pipe male thread combined gasket seal

Characteristics

Structure type: Thread-Threaded connection
 Structure form: Through
 Connection 1: Metric male thread
 Sealing form: O-ring flat seal
 Connection 2: Britain pipe thread
 Sealing form: Combination gasket seal
 Supply form: Connector body
 Standard: JB/T966/GB/T19674.2

Material: Carbon steel · Stainless steel · Copper
 Surface protection:
 Trivalent chromium environmental protection zinc layer
 Description:
 For instructions on assembly, embedding,
 and pressure load as well as allowable
 operating temperature, please refer to the
 technical information for fastening sleeve bolts



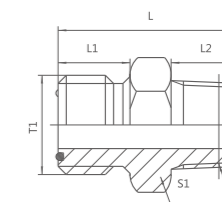
| Drawing No. | T1 | T2 | L | L1 | S1 | S2 | O-ring |
|---------------|---------|------|----|----|----|----|----------|
| H-GE06G1/4 ZH | M14x1.5 | G1/4 | 29 | 11 | 12 | 19 | 7.5x1.8 |
| H-GE08G1/4 ZH | M16x1.5 | G1/4 | 29 | 11 | 12 | 19 | 8.5x1.8 |
| H-GE08G3/8 ZH | M16x1.5 | G3/8 | 31 | 11 | 12 | 22 | 8.5x1.8 |
| H-GE10G3/8 ZH | M18x1.5 | G3/8 | 31 | 11 | 12 | 22 | 9.75x1.8 |
| H-GE10G1/2 ZH | M18x1.5 | G1/2 | 35 | 11 | 14 | 30 | 9.75x1.8 |
| H-GE12G1/2 ZH | M22x1.5 | G1/2 | 35 | 12 | 14 | 27 | 13.2x1.8 |
| H-GE16G1/2 ZH | M27x1.5 | G1/2 | 37 | 13 | 14 | 30 | 17x1.8 |
| H-GE16G3/4 ZH | M27x1.5 | G3/4 | 40 | 13 | 16 | 32 | 17x1.8 |
| H-GE20G3/4 ZH | M30x1.5 | G3/4 | 41 | 14 | 16 | 32 | 19x1.8 |
| H-GE20G1 ZH | M30x1.5 | G1 | 48 | 14 | 18 | 41 | 19x1.8 |
| H-GE25G1 ZH | M36x2 | G1 | 50 | 16 | 18 | 41 | 23.6x1.8 |

Metric male thread O-ring flat seal / American taper pipe male thread

Characteristics

Structure type: Thread-Threaded connection
 Structure form: Through
 Connection 1: Metric male thread
 Sealing form: O-ring flat seal
 Connection 2: Thread seal
 Sealing form: Combination gasket seal
 Supply form: Connector body
 Standard: JB/T966

Material: Carbon steel · Stainless steel · Copper
 Surface protection:
 Trivalent chromium environmental protection zinc layer
 Description:
 For instructions on assembly, embedding,
 and pressure load as well as allowable
 operating temperature, please refer to the
 technical information for fastening sleeve bolts



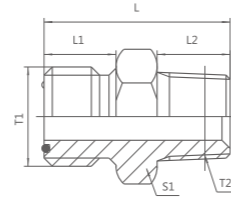
| Drawing No. | T1 | T2 | L | L1 | L2 | S1 | O-ring |
|----------------|---------|----------|------|----|------|----|-----------|
| H-GE06NPT1/4 | M14x1.5 | NPT1/4 | 31 | 11 | 15 | 17 | 7.5x1.8 |
| H-GE06NPT3/8 | M14x1.5 | NPT3/8 | 33 | 11 | 16 | 19 | 7.5x1.8 |
| H-GE08NPT1/4 | M16x1.5 | NPT1/4 | 32 | 11 | 15 | 17 | 8.5x1.8 |
| H-GE08NPT3/8 | M16x1.5 | NPT3/8 | 33 | 11 | 15 | 19 | 8.5x1.8 |
| H-GE08NPT1/2 | M16x1.5 | NPT1/2 | 38.5 | 11 | 16 | 24 | 8.5x1.8 |
| H-GE10NPT1/4 | M18x1.5 | NPT1/4 | 31 | 11 | 19.5 | 19 | 9.75x1.8 |
| H-GE10NPT3/8 | M18x1.5 | NPT3/8 | 33 | 11 | 15 | 19 | 9.75x1.8 |
| H-GE10NPT1/2 | M18x1.5 | NPT1/2 | 38.5 | 11 | 16 | 24 | 9.75x1.8 |
| H-GE12NPT1/2 | M22x1.5 | NPT1/2 | 39.5 | 12 | 19.5 | 24 | 13.2x1.8 |
| H-GE12NPT3/4 | M22x1.5 | NPT3/4 | 41.5 | 12 | 19.5 | 27 | 13.2x1.8 |
| H-GE16NPT1/2 | M27x1.5 | NPT1/2 | 42.5 | 13 | 19.5 | 30 | 17x1.8 |
| H-GE16NPT3/4 | M27x1.5 | NPT3/4 | 42.5 | 13 | 19.5 | 30 | 17x1.8 |
| H-GE20NPT3/4 | M30x1.5 | NPT3/4 | 44.5 | 14 | 19.5 | 32 | 19x1.8 |
| H-GE25NPT3/4 | M36x2 | NPT3/4 | 46.5 | 16 | 19.5 | 38 | 23.6x1.8 |
| H-GE25NPT1 | M36x2 | NPT1 | 52.5 | 16 | 25.5 | 38 | 23.6x1.8 |
| H-GE28NPT1 | M39x2 | NPT1 | 56.5 | 18 | 25.5 | 41 | 26.5x1.8 |
| H-GE28NPT1 1/4 | M39x2 | NPT1 1/4 | 57.5 | 18 | 26.5 | 46 | 26.5x1.8 |
| H-GE30NPT1 | M42x2 | NPT1 | 58.5 | 20 | 25.5 | 46 | 29x1.8 |
| H-GE30NPT1 1/4 | M42x2 | NPT1 1/4 | 59.5 | 20 | 26.5 | 46 | 29x1.8 |
| H-GE35NPT1 1/4 | M45x2 | NPT1 1/4 | 60.5 | 21 | 26.5 | 46 | 31.5x1.8 |
| H-GE35NPT1 1/4 | M45x2 | NPT1 1/4 | 60.5 | 21 | 26.5 | 46 | 31.5x1.8 |
| H-GE38NPT1 1/4 | M52x2 | NPT1 1/4 | 63.5 | 22 | 26.5 | 55 | 37.5x1.8 |
| H-GE42NPT1 1/2 | M60x2 | NPT1 1/2 | 68.5 | 24 | 27.5 | 65 | 42.5x2.65 |

Metric male thread O-ring flat seal / British taper pipe male thread

Characteristics

Structure type: Thread-Threaded connection
 Structure form: Through
 Connection 1: Metric male thread
 Sealing form: O-ring flat seal
 Connection 2: British taper pipe thread
 Sealing form2: Thread seal
 Supply form: Connector body
 Standard: JB/T966

Material: Carbon steel · Stainless steel · Copper
 Surface protection:
 Trivalent chromium environmental protection zinc layer
 Description:
 For instructions on assembly, embedding,
 and pressure load as well as allowable
 operating temperature, please refer to the
 technical information for fastening sleeve bolts



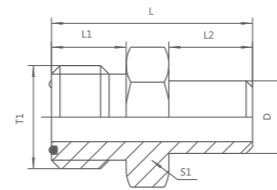
| Drawing No. | T1 | T2 | L | L1 | L2 | S1 | O-ring |
|--------------|---------|--------|------|----|------|----|----------|
| H-GE06R1/4 | M14x1.5 | R1/4 | 31.5 | 11 | 15 | 14 | 7.5x1.8 |
| H-GE06R3/8 | M14x1.5 | R3/8 | 32 | 11 | 16 | 17 | 7.5x1.8 |
| H-GE08R1/4 | M16x1.5 | R1/4 | 31.5 | 11 | 15 | 17 | 8.5x1.8 |
| H-GE08R3/8 | M16x1.5 | R3/8 | 32 | 11 | 15 | 17 | 8.5x1.8 |
| H-GE10R3/8 | M18x1.5 | R3/8 | 32 | 11 | 15 | 19 | 9.75x1.8 |
| H-GE10R1/2 | M18x1.5 | R1/2 | 37 | 11 | 16 | 24 | 9.75x1.8 |
| H-GE12R1/2 | M22x1.5 | R1/2 | 40 | 12 | 19.5 | 27 | 13.2x1.8 |
| H-GE12R3/4 | M22x1.5 | R3/4 | 40 | 12 | 19.5 | 27 | 13.2x1.8 |
| H-GE16R1/2 | M27x1.5 | R1/2 | 43 | 13 | 19.5 | 30 | 17x1.8 |
| H-GE16R3/4 | M27x1.5 | R3/4 | 43 | 13 | 19.5 | 30 | 17x1.8 |
| H-GE20R3/4 | M30x1.5 | R3/4 | 45 | 14 | 19.5 | 32 | 19x1.8 |
| H-GE25R3/4 | M36x2 | R3/4 | 47 | 16 | 19.5 | 38 | 23.6x1.8 |
| H-GE25R1 | M36x2 | R1 | 52.5 | 16 | | 38 | 23.6x1.8 |
| H-GE28R1 | M39x2 | R1 | 56.5 | 18 | 25.5 | 41 | 26.5x1.8 |
| H-GE28R1 1/4 | M39x2 | R1 1/4 | 57.5 | 18 | 26.5 | 46 | 26.5x1.8 |
| H-GE30R1 1/4 | M42x2 | R1 1/4 | 59.5 | 20 | 26.5 | 46 | 29x1.8 |
| H-GE35R1 1/4 | M45x2 | R1 1/4 | 60.5 | 21 | 26.5 | 46 | 29x1.8 |
| H-GE38R1 1/4 | M52x2 | R1 1/4 | 63.5 | 22 | 26.5 | 55 | 37.5x1.8 |

Metric male thread O-ring flat seal welded connector

Characteristics

Structure type: Welded
 Structure form: Through
 Connection 1: Metric male thread
 Sealing form: O-ring flat seal
 Supply form: Connector body
 Standard: JB/T966

Material: Carbon steel · Stainless steel · Copper
 Surface protection:
 Trivalent chromium environmental protection zinc layer
 Description:
 For instructions on assembly, embedding,
 and pressure load as well as allowable
 operating temperature, please refer to the
 technical information for fastening sleeve bolts



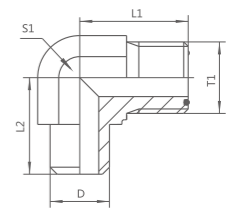
| Drawing No. | T1 | L | L1 | L2 | D | S1 | O-ring |
|-------------|---------|------|----|----|----|----|----------|
| 1EW-12-06 | M12x1.5 | 24 | 11 | 8 | 6 | 14 | 5.3x1.8 |
| 1EW-14-08 | M14x1.5 | 25 | 11 | 8 | 8 | 17 | 7.5x1.8 |
| 1EW-16-10 | M16x1.5 | 25 | 11 | 8 | 10 | 17 | 8.5x1.8 |
| 1EW-18-12 | M18x1.5 | 29 | 11 | 12 | 12 | 19 | 9.75x1.8 |
| 1EW-22-14 | M22x1.5 | 32.5 | 12 | 12 | 14 | 24 | 13.2x1.8 |
| 1EW-27-18 | M27x1.5 | 35 | 13 | 12 | 18 | 30 | 17x1.8 |
| 1EW-30-22 | M30x2 | 39 | 14 | 14 | 22 | 32 | 19x1.8 |
| 1EW-36-28 | M36x2 | 43 | 16 | 16 | 28 | 38 | 23.6x1.8 |
| 1EW-39-30 | M39x2 | 47 | 18 | 16 | 30 | 41 | 26.5x1.8 |
| 1EW-42-34 | M42x2 | 49 | 20 | 16 | 34 | 46 | 29x1.8 |
| 1EW-45-38 | M45x2 | 51 | 21 | 18 | 38 | 46 | 31.5x1.8 |
| 1EW-52-42 | M52x2 | 55 | 22 | 18 | 42 | 55 | 37.5x1.8 |

90° Bend metric male thread O-ring flat seal welded connector

Characteristics

Structure type: Thread-Welded connection
 Structure form: Through
 Connection 1: Metric male thread
 Sealing form: O-ring flat seal
 Supply form: Connector body
 Standard: JB/T966

Material: Carbon steel · Stainless steel
 Surface protection:
 Trivalent chromium environmental protection zinc layer
 Description:
 For instructions on assembly, embedding,
 and pressure load as well as allowable
 operating temperature, please refer to the
 technical information for fastening sleeve bolts



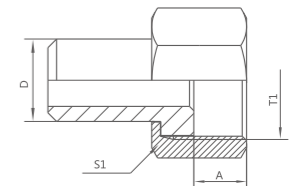
| Drawing No. | T1 | L1 | L2 | D | S1 | O-ring |
|-------------|---------|------|------|----|----|----------|
| 1EW9-12-06 | M12x1.5 | 20.5 | 16.5 | 6 | 12 | 5.3x1.9 |
| 1EW9-14-08 | M14x1.5 | 22.5 | 17.5 | 8 | 14 | 7.5x1.9 |
| 1EW9-16-10 | M16x1.5 | 24 | 19.5 | 10 | 17 | 8.5x1.9 |
| 1EW9-18-12 | M18x1.5 | 26 | 25 | 12 | 19 | 9.75x1.9 |
| 1EW9-22-14 | M22x1.5 | 29 | 27 | 14 | 22 | 13.2x1.9 |
| 1EW9-27-18 | M27x1.5 | 32.5 | 29.5 | 18 | 27 | 17x1.9 |
| 1EW9-30-22 | M30x2 | 32.5 | 33.5 | 22 | 30 | 19x1.9 |
| 1EW9-36-28 | M36x2 | 42 | 39 | 28 | 36 | 23.6x1.9 |
| 1EW9-39-30 | M39x2 | 47.5 | 43 | 30 | 41 | 26.5x1.9 |
| 1EW9-42-34 | M42x2 | 49.5 | 43 | 34 | 41 | 29x1.9 |
| 1EW9-45-38 | M45x2 | 52.5 | 47.5 | 38 | 46 | 31.5x1.9 |
| 1EW9-52-42 | M52x2 | 57 | 50 | 42 | 50 | 37.5x1.9 |

Metric female thread O-ring flat seal welded connector

Characteristics

Structure type: Thread-Welded connection
 Structure form: Through
 Connection 1: Metric female thread
 Sealing form: O-ring flat seal
 Supply form: Connector body
 Standard: JB/T966

Material: Carbon steel · Stainless steel
 Surface protection:
 Trivalent chromium environmental protection zinc layer
 Description:
 For instructions on assembly, embedding,
 and pressure load as well as allowable
 operating temperature, please refer to the
 technical information for fastening sleeve bolts



| Drawing No. | T1 | S1 | A | D |
|-------------|---------|----|-----|----|
| 2WE-06-12 | M12x1.5 | 14 | 8 | 6 |
| 2WE-08-14 | M14x1.5 | 17 | 8.5 | 8 |
| 2WE-10-16 | M16x1.5 | 19 | 8.5 | 10 |
| 2WE-12-18 | M18x1.5 | 22 | 8.5 | 12 |
| 2WE-14-22 | M22x1.5 | 27 | 10 | 14 |
| 2WE-18-27 | M27x1.5 | 32 | 10 | 18 |
| 2WE-22-30 | M30x2 | 36 | 11 | 22 |
| 2WE-28-36 | M36x2 | 41 | 13 | 28 |
| 2WE-30-39 | M39x2 | 46 | 13 | 30 |
| 2WE-34-42 | M42x2 | 50 | 15 | 34 |
| 2WE-38-52 | M45x2 | 55 | 15 | 38 |
| 2WE-42-52 | M52x2 | 60 | 17 | 42 |
| 2WE-50-60 | M60x2 | 70 | 20 | 50 |
| 2WE-52-64 | M64x2 | 75 | 23 | 52 |

American thread O-ring flat seal joint

197/221

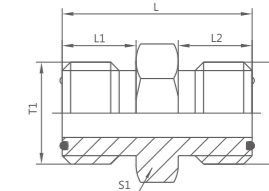
| | | | | | | |
|-------------------------------|------------------------------|------------------------------|------------------------------|-------------------------------|-------------------------------|-------------------------------|
| O-G P/197 | O-W P/198 | O-T P/198 | O-EG P/199 | O-EV P/200 | O-EW P/200 | O-EL P/201 |
| O-TL P/201 | SSF P/202 | S4F P/202 | SSF P/203 | O-GSV P/203 | O-VSV P/204 | O-WSV P/204 |
| O-TSV P/205 | O-LSV P/205 | O-GE-NPT P/206 | O-VE-NPT P/207 | O-WE-NPT P/208 | O-GE-M P/209 | O-VEE-M P/210 |
| O-WEE-M P/210 | O-LEE-M P/211 | O-TEE-M P/211 | O-GE-UNF P/212 | O-VEE-UNF P/213 | O-WEE-UNF P/214 | O-LEE-UNF P/215 |
| O-TEE-UNF P/215 | O-EG-UNF P/216 | O-EW-UNF P/216 | O-GE-G P/217 | O-VEE-G P/218 | O-WEE-G P/219 | O-TEE-G P/219 |
| O-LEE-G P/220 | O-M P/220 | O-GF-M P/221 | O-GF-G P/221 | | | |

American ORFS male thread O-ring flat seal

Characteristics

Structure type: Thread-Threaded connection
 Structure form: Through
 Connection 1: American ORFS male thread
 Sealing form: O-ring flat seal
 Connection 2: American ORFS male thread
 Sealing form: O-ring flat seal
 Supply form: Connector body
 Standard: ISO8434-3

Material: Carbon steel · Stainless steel · Copper
 Surface protection:
 Trivalent chromium environmental protection zinc layer
 Description:
 For instructions on assembly, embedding,
 and pressure load as well as allowable
 operating temperature, please refer to the
 technical information for fastening sleeve bolts



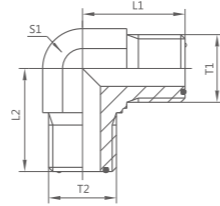
| Drawing No. | T1 | T2 | L | L1 | L2 | S1 | T1, T2end O-ring |
|-------------|------------|------------|------|------|------|----|------------------|
| O-G-04 | 9/16x18 | 9/16x18 | 27.5 | 9.8 | 9.8 | 17 | 7.65x1.78 |
| O-G-04-06 | 9/16x18 | 11/16x16 | 29.7 | 9.8 | 11.2 | 19 | 9.25x1.78 |
| O-G-04-08 | 9/16x18 | 13/16x16 | 32.5 | 9.8 | 12.8 | 22 | 12.42x1.78 |
| O-G-06 | 11/16x16 | 11/16x16 | 31.1 | 11.2 | 11.2 | 19 | 9.25x1.78 |
| O-G-06-08 | 11/16x16 | 13/16x16 | 33.8 | 11.2 | 12.8 | 22 | 12.42x1.78 |
| O-G-06-10 | 11/16x16 | 1x14 | 38 | 11.2 | 15.5 | 27 | 15.6x1.78 |
| O-G-08 | 13/16x16 | 13/16x16 | 35.4 | 12.8 | 12.8 | 22 | 12.42x1.78 |
| O-G-08-10 | 13/16x16 | 1x14 | 40 | 12.8 | 15.5 | 27 | 15.6x1.78 |
| O-G-08-12 | 13/16x16 | 1 3/16x12 | 43 | 12.8 | 17 | 32 | 18.77x1.78 |
| O-G-10 | 1x14 | 1x14 | 42.5 | 15.5 | 15.5 | 27 | 15.6x1.78 |
| O-G-10-12 | 1x14 | 1 3/16x12 | 45.5 | 15.5 | 17 | 32 | 18.77x1.78 |
| O-G-12 | 1 3/16x12 | 1 3/16x12 | 47.1 | 17 | 17 | 32 | 18.77x1.78 |
| O-G-12-16 | 1 3/16x12 | 1 7/16x12 | 45.5 | 17 | 17.5 | 38 | 23.52x1.78 |
| O-G-12-20 | 1 3/16x12 | 1 11/16x12 | 50.5 | 17 | 17.5 | 46 | 29.87x1.78 |
| O-G-16 | 1 7/16x12 | 1 7/16x12 | 49.3 | 17.5 | 17.5 | 38 | 23.52x1.78 |
| O-G-16-20 | 1 7/16x12 | 1 11/16x12 | 51.3 | 17.5 | 17.5 | 46 | 29.87x1.78 |
| O-G-16-24 | 1 7/16x12 | 2x12 | 53 | 17.5 | 17.5 | 55 | 37.82x1.78 |
| O-G-20 | 1 11/16x12 | 1 11/16x12 | 51.3 | 17.5 | 17.5 | 46 | 29.87x1.78 |
| O-G-20-24 | 1 11/16x12 | 2x12 | 53 | 17.5 | 17.5 | 55 | 37.82x1.78 |
| O-G-24 | 2x12 | 2x12 | 53 | 17.5 | 17.5 | 55 | 37.82x1.78 |

90° Bend American ORFS male thread O-ring flat seal

Characteristics

Structure type: Thread-Threaded connection
 Structure form: Through
 Connection 1: American ORFS male thread
 Sealing form: O-ring flat seal
 Connection 2: American ORFS male thread
 Sealing form: O-ring flat seal
 Supply form: Connector body
 Standard: ISO8434-3

Material: Carbon steel · Stainless steel · Copper
 Surface protection:
 Trivalent chromium environmental protection zinc layer
 Description:
 For instructions on assembly, embedding,
 and pressure load as well as allowable
 operating temperature, please refer to the
 technical information for fastening sleeve bolts



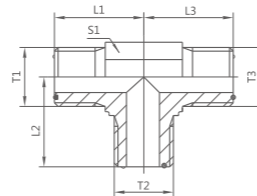
| Drawing No. | T1 | T2 | L1 | L2 | S1 | T1, T2end O-ring |
|-------------|------------|------------|------|------|----|------------------|
| O-W-04 | 9/16x18 | 9/16x18 | 23 | 23 | 14 | 7.65x1.78 |
| O-W-04-06 | 9/16x18 | 11/16x16 | 25.5 | 27 | 19 | 9.25x1.78 |
| O-W-06 | 11/16x16 | 11/16x16 | 27.5 | 27.5 | 19 | 9.25x1.78 |
| O-W-06-08 | 11/16x16 | 13/16x16 | 29 | 31 | 22 | 12.42x1.78 |
| O-W-08 | 13/16x16 | 13/16x16 | 31 | 31 | 22 | 12.42x1.78 |
| O-W-08-12 | 13/16x16 | 1 3/16x12 | 35.5 | 40.3 | 30 | 18.77x1.78 |
| O-W-10 | 1x14 | 1x14 | 36.5 | 36.5 | 27 | 15.6x1.78 |
| O-W-12 | 1 3/16x12 | 1 3/16x12 | 41 | 41 | 30 | 18.77x1.78 |
| O-W-16 | 1 7/16x12 | 1 7/16x12 | 44.5 | 44.5 | 36 | 23.52x1.78 |
| O-W-20 | 1 11/16x12 | 1 11/16x12 | 47.5 | 47.5 | 41 | 29.87x1.78 |
| O-W-24 | 2x12 | 2x12 | 53.5 | 53.5 | 50 | 37.82x1.78 |

American ORFS male thread O-ring face seal tee

Characteristics

Structure type: Thread-Threaded connection
 Structure form: Tee
 Connection 1: American ORFS male thread
 Sealing form: O-ring flat seal
 Connection 2,3: American ORFS male thread
 Sealing form: O-ring flat seal
 Supply form: Connector body
 Standard: ISO8434-3

Material: Carbon steel · Stainless steel · Copper
 Surface protection:
 Trivalent chromium environmental protection zinc layer
 Description:
 For instructions on assembly, embedding,
 and pressure load as well as allowable
 operating temperature, please refer to the
 technical information for fastening sleeve bolts



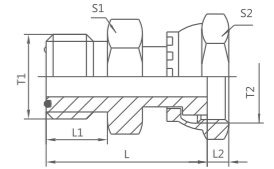
| Drawing No. | T1, T2, T3 | L1 | L2 | L3 | S1 | T1, T2, T3end O-ring |
|-------------|------------|------|------|------|----|----------------------|
| O-T-04 | 9/16x18 | 23 | 23 | 23 | 14 | 7.65x1.78 |
| O-T-06 | 11/16x16 | 27 | 27 | 27 | 19 | 9.25x1.78 |
| O-T-08 | 13/16x16 | 31 | 31 | 31 | 22 | 12.42x1.78 |
| O-T-10 | 1x14 | 36.5 | 36.5 | 36.5 | 27 | 15.6x1.78 |
| O-T-12 | 1 3/16x12 | 40.3 | 40.3 | 40.3 | 30 | 18.77x1.78 |
| O-T-16 | 1 7/16x12 | 44.5 | 44.5 | 44.5 | 36 | 23.52x1.78 |
| O-T-20 | 1 11/16x12 | 47.5 | 47.5 | 47.5 | 41 | 29.87x1.78 |
| O-T-24 | 2x12 | 53.5 | 53.5 | 53.5 | 50 | 37.82x1.78 |

American ORFS male thread O-ring flat seal / ORFS female thread

Characteristics

Structure type: Thread-Threaded connection
 Structure form: Through
 Connection 1: American ORFS thread
 Sealing form: O-ring flat seal
 Connection 2: American ORFS female thread
 Sealing form: Flat seal
 Supply form: Connector body
 Standard: ISO8434-3

Material: Carbon steel · Stainless steel · Copper
 Surface protection:
 Trivalent chromium environmental protection zinc layer
 Description:
 For instructions on assembly, embedding,
 and pressure load as well as allowable
 operating temperature, please refer to the
 technical information for fastening sleeve bolts



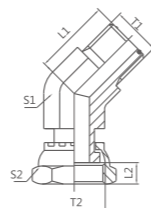
| Drawing No. | T1 | T2 | L | L1 | L2 | S1 | S2 | O-ring |
|-------------|------------|------------|------|------|------|----|----|------------|
| O-EG-04 | 9/16x18 | 9/16x18 | 33 | 9.8 | 8.5 | 17 | 19 | 7.65x1.78 |
| O-EG-04-06 | 9/16x18 | 11/16x16 | 34.5 | 9.8 | 10 | 17 | 22 | 7.65x1.78 |
| O-EG-04-08 | 9/16x18 | 13/16x16 | 36.5 | 9.8 | 11 | 19 | 27 | 7.65x1.78 |
| O-EG-06-04 | 11/16x16 | 9/16x18 | 35.5 | 11.2 | 8.5 | 19 | 19 | 9.25x1.78 |
| O-EG-06 | 11/16x16 | 11/16x16 | 38.5 | 11.2 | 10 | 19 | 22 | 9.25x1.78 |
| O-EG-06-08 | 11/16x16 | 13/16x16 | 37.7 | 11.2 | 11 | 19 | 27 | 9.25x1.78 |
| O-EG-06-10 | 11/16x16 | 1x14 | 43.7 | 11.2 | 13.5 | 24 | 30 | 9.25x1.78 |
| O-EG-08-06 | 13/16x16 | 11/16x16 | 41 | 13 | 10 | 22 | 22 | 12.42x1.78 |
| O-EG-08 | 13/16x16 | 13/16x16 | 43 | 13 | 11 | 22 | 27 | 12.42x1.78 |
| O-EG-08-10 | 13/16x16 | 1x14 | 45.5 | 13 | 13.5 | 24 | 30 | 12.42x1.78 |
| O-EG-08-12 | 13/16x16 | 1 3/16x12 | 49 | 13 | 15 | 30 | 36 | 12.42x1.78 |
| O-EG-10-08 | 1x14 | 13/16x16 | 47.5 | 15.5 | 11 | 27 | 27 | 15.6x1.78 |
| O-EG-10 | 1x14 | 1x14 | 51.5 | 15.5 | 13.5 | 27 | 30 | 15.6x1.78 |
| O-EG-10-12 | 1x14 | 1 3/16x12 | 51.5 | 15.5 | 15 | 30 | 36 | 15.6x1.78 |
| O-EG-10-16 | 1x14 | 1 7/16x12 | 56 | 15.5 | 15 | 36 | 41 | 15.6x1.78 |
| O-EG-12-08 | 1 3/16x12 | 13/16x16 | 50.5 | 17 | 11 | 32 | 27 | 18.77x1.78 |
| O-EG-12-10 | 1 3/16x12 | 1x14 | 54.5 | 17 | 13.5 | 32 | 30 | 18.77x1.78 |
| O-EG-12 | 1 3/16x12 | 1 3/16x12 | 56 | 17 | 15 | 32 | 36 | 18.77x1.78 |
| O-EG-12-16 | 1 3/16x12 | 1 7/16x12 | 58 | 17 | 15 | 36 | 41 | 18.77x1.78 |
| O-EG-16-12 | 1 7/16x12 | 1 3/16x12 | 58 | 17.5 | 15 | 38 | 36 | 23.52x1.78 |
| O-EG-16 | 1 7/16x12 | 1 7/16x12 | 60 | 17.5 | 15 | 38 | 41 | 23.52x1.78 |
| O-EG-16-20 | 1 7/16x12 | 1 11/16x12 | 62 | 17.5 | 15 | 41 | 50 | 23.52x1.78 |
| O-EG-20-16 | 1 11/16x12 | 1 7/16x12 | 58.5 | 17.5 | 15 | 46 | 41 | 29.87x1.78 |
| O-EG-20 | 1 11/16x12 | 1 11/16x12 | 62 | 17.5 | 15 | 46 | 50 | 29.87x1.78 |
| O-EG-20-24 | 1 11/16x12 | 2x12 | 65.5 | 17.5 | 16 | 50 | 60 | 29.87x1.78 |
| O-EG-24-20 | 2x12 | 1 11/16x12 | 64 | 17.5 | 15 | 55 | 50 | 37.82x1.78 |
| O-EG-24 | 2x12 | 2x12 | 64 | 17.5 | 16 | 55 | 60 | 37.82x1.78 |

45° Bend American ORFS male thread O-ring flat seal / ORFS female thread

Characteristics

Structure type: Thread-Threaded connection
 Structure form: 45° Bevel
 Connection 1: American ORFS thread
 Sealing form: O-ring flat seal
 Connection 2: American ORFS female thread
 Sealing form: Flat seal
 Supply form: Connector body
 Standard: ISO8434-3

Material: Carbon steel · Stainless steel · Copper
 Surface protection:
 Trivalent chromium environmental protection zinc layer
 Description:
 For instructions on assembly, embedding,
 and pressure load as well as allowable
 operating temperature, please refer to the
 technical information for fastening sleeve bolts



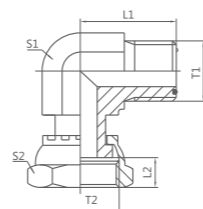
| Drawing No. | T1 | T2 | L1 | L2 | S1 | S2 | T1end O-ring |
|-------------|------------|------------|------|-----|----|----|--------------|
| O-EV-04 | 9/16x18 | 9/16x18 | 18.3 | 8.5 | 14 | 19 | 7.65x1.78 |
| O-EV-06 | 11/16x16 | 11/16x16 | 20.5 | 10 | 19 | 22 | 9.25x1.78 |
| O-EV-08 | 13/16x16 | 13/16x16 | 24 | 11 | 22 | 27 | 12.42x1.78 |
| O-EV-10 | 1x14 | 1x14 | 28 | 15 | 27 | 30 | 15.6x1.78 |
| O-EV-12 | 1 3/16x12 | 1 3/16x12 | 30.7 | 15 | 30 | 36 | 18.77x1.78 |
| O-EV-16 | 1 7/16x12 | 1 7/16x12 | 33 | 15 | 36 | 41 | 23.52x1.78 |
| O-EV-20 | 1 11/16x12 | 1 11/16x12 | 35.5 | 15 | 41 | 50 | 29.87x1.78 |

90° Bend American ORFS male thread O-ring flat seal / ORFS female thread

Characteristics

Structure type: Thread-Threaded connection
 Structure form: Through
 Connection 1: American ORFS thread
 Sealing form: O-ring flat seal
 Connection 2: American ORFS female thread
 Sealing form: Flat seal
 Supply form: Connector body
 Standard: ISO8434-3

Material: Carbon steel · Stainless steel · Copper
 Surface protection:
 Trivalent chromium environmental protection zinc layer
 Description:
 For instructions on assembly, embedding,
 and pressure load as well as allowable
 operating temperature, please refer to the
 technical information for fastening sleeve bolts



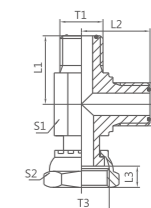
| Drawing No. | T1 | T2 | L1 | L2 | S1 | S2 | O-ring |
|-------------|------------|------------|------|-----|----|----|------------|
| O-EW-04 | 9/16x18 | 9/16x18 | 23 | 8.5 | 14 | 19 | 7.65x1.78 |
| O-EW-04-06 | 9/16x18 | 11/16x16 | 23 | 10 | 14 | 22 | 9.25x1.78 |
| O-EW-06-04 | 11/16x16 | 9/16x18 | 27.5 | 8.5 | 19 | 19 | 7.65x1.78 |
| O-EW-06 | 11/16x16 | 11/16x16 | 27.5 | 10 | 19 | 22 | 9.25x1.78 |
| O-EW-06-08 | 11/16x16 | 13/16x16 | 27 | 11 | 19 | 27 | 12.42x1.78 |
| O-EW-08-06 | 13/16x16 | 11/16x16 | 31 | 10 | 22 | 22 | 9.25x1.78 |
| O-EW-08 | 13/16x16 | 13/16x16 | 31 | 11 | 22 | 27 | 12.42x1.78 |
| O-EW-10-08 | 1x14 | 13/16x16 | 36.5 | 11 | 27 | 27 | 12.42x1.78 |
| O-EW-10 | 1x14 | 1x14 | 36.5 | 15 | 27 | 30 | 15.6x1.78 |
| O-EW-10-12 | 1x14 | 1 3/16x12 | 36.5 | 15 | 27 | 36 | 18.77x1.78 |
| O-EW-12 | 1 3/16x12 | 1 3/16x12 | 41 | 15 | 30 | 36 | 18.77x1.78 |
| O-EW-12-16 | 1 3/16x12 | 1 7/16x12 | 42.5 | 15 | 33 | 41 | 23.52x1.78 |
| O-EW-16-12 | 1 7/16x12 | 1 3/16x12 | 44.5 | 15 | 36 | 36 | 18.77x1.78 |
| O-EW-16 | 1 7/16x12 | 1 7/16x12 | 44.5 | 15 | 36 | 41 | 23.52x1.78 |
| O-EW-20 | 1 11/16x12 | 1 11/16x12 | 44.5 | 15 | 41 | 50 | 29.87x1.78 |
| O-EW-24 | 2x12 | 2x12 | 53.5 | 15 | 50 | 60 | 37.82x1.78 |

American ORFS male thread O-ring flat seal / ORFS female thread main branch tee

Characteristics

Structure type: Thread-Threaded connection
 Structure form: Tee
 Connection 1,2: American ORFS thread
 Sealing form: O-ring flat seal
 Connection 3: American ORFS female thread
 Sealing form: Flat seal
 Supply form: Connector body
 Standard: ISO8434-3

Material: Carbon steel · Stainless steel · Copper
 Surface protection:
 Trivalent chromium environmental protection zinc layer
 Description:
 For instructions on assembly, embedding,
 and pressure load as well as allowable
 operating temperature, please refer to the
 technical information for fastening sleeve bolts



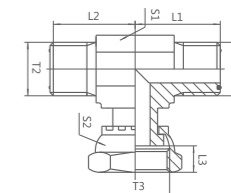
| Drawing No. | T1, T2, T3 | L1, L2 | L3 | S1 | S2 | O-ring |
|-------------|------------|--------|------|----|----|------------|
| O-EL-04 | 9/16x18 | 23 | 8.5 | 14 | 19 | 7.65x1.78 |
| O-EL-06 | 11/16x16 | 27.5 | 10 | 19 | 22 | 9.25x1.78 |
| O-EL-08 | 13/16x16 | 31 | 11 | 22 | 27 | 9.25x1.78 |
| O-EL-10 | 1x14 | 36.5 | 13.5 | 27 | 30 | 15.6x1.78 |
| O-EL-12 | 1 3/16x12 | 40.3 | 15 | 30 | 36 | 18.77x1.78 |
| O-EL-16 | 1 7/16x12 | 44.5 | 15 | 36 | 41 | 23.52x1.78 |
| O-EL-20 | 1 11/16x12 | 47.5 | 15 | 41 | 50 | 29.87x1.78 |
| O-EL-24 | 2x12 | 53.5 | 15 | 50 | 60 | 37.82x1.78 |

American ORFS male thread O-ring flat seal / ORFS female thread branch tee

Characteristics

Structure type: Thread-Threaded connection
 Structure form: Tee
 Connection 1,2: American ORFS thread
 Sealing form: O-ring flat seal
 Connection 3: American ORFS female thread
 Sealing form: Flat seal
 Supply form: Connector body
 Standard: ISO8434-3

Material: Carbon steel · Stainless steel · Copper
 Surface protection:
 Trivalent chromium environmental protection zinc layer
 Description:
 For instructions on assembly, embedding,
 and pressure load as well as allowable
 operating temperature, please refer to the
 technical information for fastening sleeve bolts



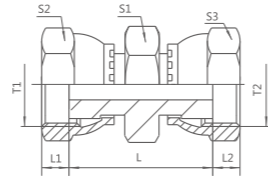
| Drawing No. | T1, T2, T3 | L1, L2 | L3 | S1 | S2 | O-ring |
|-------------|------------|--------|------|----|----|------------|
| O-TL-04 | 9/16x18 | 23 | 8.5 | 14 | 19 | 7.65x1.78 |
| O-TL-06 | 11/16x16 | 27.5 | 10 | 19 | 22 | 9.25x1.78 |
| O-TL-08 | 13/16x16 | 31 | 11 | 22 | 27 | 9.25x1.78 |
| O-TL-10 | 1x14 | 36.5 | 13.5 | 27 | 30 | 15.6x1.78 |
| O-TL-12 | 1 3/16x12 | 40.3 | 15 | 30 | 36 | 18.77x1.78 |
| O-TL-16 | 1 7/16x12 | 44.5 | 15 | 36 | 41 | 23.52x1.78 |
| O-TL-20 | 1 11/16x12 | 47.5 | 15 | 41 | 50 | 29.87x1.78 |
| O-TL-24 | 2x12 | 53.5 | 15 | 50 | 60 | 37.82x1.78 |

American ORFS female thread

Characteristics

Structure type: Thread-Threaded connection
 Structure form: Through
 Connection 1: Female thread
 Sealing form: Flat seal
 Connection 2: American ORFS female thread
 Sealing form: Flat seal
 Supply form: Connector body
 Standard: ISO8434-3

Material: Carbon steel · Stainless steel · Copper
 Surface protection:
 Trivalent chromium environmental protection zinc layer
 Description:
 For instructions on assembly, embedding,
 and pressure load as well as allowable
 operating temperature, please refer to the
 technical information for fastening sleeve bolts



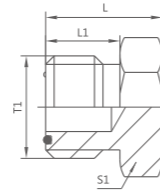
| Drawing No. | T1 | T2 | L | L1、L2 | S1 | S2、S3 |
|-------------|------------|------------|------|-------|----|-------|
| S3F-04 | 9/16x18 | 9/16x18 | 33.5 | 8.5 | 19 | 19 |
| S3F-06 | 11/16x16 | 11/16x16 | 40.5 | 10 | 22 | 22 |
| S3F-08 | 13/16x16 | 13/16x16 | 44.5 | 11 | 27 | 27 |
| S3F-10 | 1x14 | 1x14 | 52.5 | 13.5 | 30 | 30 |
| S3F-12 | 1 3/16x12 | 1 3/16x12 | 56 | 15 | 36 | 36 |
| S3F-16 | 1 7/16x12 | 1 7/16x12 | 60 | 15 | 41 | 41 |
| S3F-20 | 1 11/16x12 | 1 11/16x12 | 59.5 | 15 | 50 | 50 |
| S3F-24 | 2x12 | 2x12 | 64 | 15 | 60 | 60 |

American ORFS male thread O-ring sealing plug

Characteristics

Structure type: Thread-Threaded connection
 Structure form: Plug
 Connection 1: American ORFS thread
 Sealing form: O-ring flat seal
 Supply form: Connector body
 Standard: ISO8434-3

Material: Carbon steel · Stainless steel · Copper
 Surface protection:
 Trivalent chromium environmental protection zinc layer
 Description:
 For instructions on assembly, embedding,
 and pressure load as well as allowable
 operating temperature, please refer to the
 technical information for fastening sleeve bolts



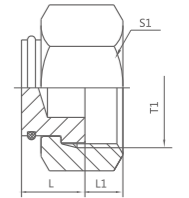
| Drawing No. | T1 | L | L1 | S1 | O-ring |
|-------------|------------|------|------|----|------------|
| S4F-04 | 9/16x18 | 16.8 | 9.8 | 17 | 7.65x1.78 |
| S4F-06 | 11/16x16 | 19.2 | 11.2 | 19 | 9.25x1.78 |
| S4F-08 | 13/16x16 | 21.8 | 12.8 | 22 | 9.25x1.78 |
| S4F-10 | 1x14 | 25.9 | 15.5 | 27 | 15.6x1.78 |
| S4F-12 | 1 3/16x12 | 27.4 | 17 | 32 | 18.77x1.78 |
| S4F-16 | 1 7/16x12 | 27.9 | 17.5 | 38 | 23.52x1.78 |
| S4F-20 | 1 11/16x12 | 27.9 | 17.5 | 46 | 29.87x1.78 |
| S4F-24 | 2x12 | 27.9 | 17.5 | 55 | 37.82x1.78 |

American ORFS female thread plug

Characteristics

Structure type: Threaded connection
 Structure form: Plug
 Connection 1: American ORFS thread
 Sealing form: Flat seal
 Supply form: Connector body
 Standard: ISO8434-3

Material: Carbon steel · Stainless steel · Copper
 Surface protection:
 Trivalent chromium environmental protection zinc layer
 Description:
 For instructions on assembly, embedding,
 and pressure load as well as allowable
 operating temperature, please refer to the
 technical information for fastening sleeve bolts



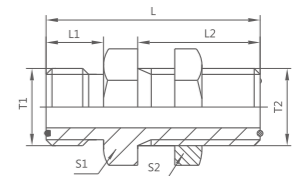
| Drawing No. | T1 | L | L1 | S1 |
|-------------|------------|------|------|----|
| S9F-04 | 9/16x18 | 10.5 | 8.5 | 19 |
| S9F-06 | 11/16x16 | 13 | 10 | 22 |
| S9F-08 | 13/16x16 | 14 | 11 | 27 |
| S9F-10 | 1x14 | 16 | 13.5 | 30 |
| S9F-12 | 1 3/16x12 | 15 | 15 | 36 |
| S9F-16 | 1 7/16x12 | 18 | 15 | 41 |
| S9F-20 | 1 11/16x12 | 19 | 15 | 50 |
| S9F-24 | 2x12 | 21 | 16 | 60 |

American ORFS male thread O-ring plane seal bulkhead connector

Characteristics

Structure type: Thread-Threaded connection
 Structure form: Through
 Connection 1: American ORFS thread
 Sealing form: O-ring flat seal
 Supply form: Connector body
 Standard: ISO8434-3

Material: Carbon steel · Stainless steel · Copper
 Surface protection:
 Trivalent chromium environmental protection zinc layer
 Description:
 For instructions on assembly, embedding,
 and pressure load as well as allowable
 operating temperature, please refer to the
 technical information for fastening sleeve bolts



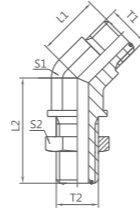
| Drawing No. | T1 | T2 | L | L1 | L2 | S1 | S2 | T1、T2end O-ring |
|-------------|------------|------------|------|------|------|----|----|-----------------|
| O-GSV-04 | 9/16x18 | 9/16x18 | 48.2 | 9.8 | 31.5 | 22 | 22 | 7.65x1.78 |
| O-GSV-06 | 11/16x16 | 11/16x16 | 53.2 | 11.2 | 34 | 27 | 27 | 9.25x1.78 |
| O-GSV-08 | 13/16x16 | 13/16x16 | 58.3 | 12.8 | 36.5 | 30 | 30 | 9.25x1.78 |
| O-GSV-10 | 1x14 | 1x14 | 66.6 | 15.5 | 40.6 | 36 | 36 | 15.6x1.78 |
| O-GSV-12 | 1 3/16x12 | 1 3/16x12 | 69.2 | 17 | 41.7 | 38 | 38 | 18.77x1.78 |
| O-GSV-16 | 1 7/16x12 | 1 7/16x12 | 70.2 | 17.5 | 42.2 | 46 | 46 | 23.52x1.78 |
| O-GSV-20 | 1 11/16x12 | 1 11/16x12 | 70.2 | 17.5 | 42.2 | 50 | 50 | 29.87x1.78 |
| O-GSV-24 | 2x12 | 2x12 | 70.2 | 17.5 | 42.2 | 60 | 60 | 37.82x1.78 |

45° Bend American ORFS male thread O-ring flat seal bulkhead connector

Characteristics

Structure type: Thread-Threaded connection
 Structure form: 45° Bevel
 Connection 1: American ORFS thread
 Sealing form: O-ring flat seal
 Connection 2: American ORFS thread
 Sealing form: O-ring flat seal
 Supply form: Connector body
 Standard: ISO8434-3

Material: Carbon steel · Stainless steel · Copper
 Surface protection:
 Trivalent chromium environmental protection zinc layer
 Description:
 For instructions on assembly, embedding,
 and pressure load as well as allowable
 operating temperature, please refer to the
 technical information for fastening sleeve bolts



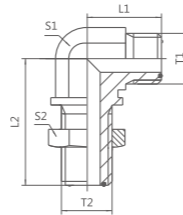
| Drawing No. | T1 | T2 | L1 | L2 | S1 | S2 | T1, T2end O-ring |
|-------------|-----------|-----------|------|------|----|----|------------------|
| O-VSV-04 | 9/16x18 | 9/16x18 | 18.5 | 42.4 | 14 | 22 | 7.65x1.78 |
| O-VSV-06 | 11/16x16 | 11/16x16 | 20.5 | 48.5 | 19 | 27 | 9.25x1.78 |
| O-VSV-08 | 13/16x16 | 13/16x16 | 24 | 51 | 22 | 30 | 9.25x1.78 |
| O-VSV-10 | 1x14 | 1x14 | 28 | 56.6 | 27 | 36 | 15.6x1.78 |
| O-VSV-12 | 1 3/16x12 | 1 3/16x12 | 30.7 | 60.7 | 30 | 38 | 18.77x1.78 |
| O-VSV-16 | 1 7/16x12 | 1 7/16x12 | 33 | 65.2 | 36 | 46 | 23.52x1.78 |

90° Bend American ORFS male thread O-ring flat seal bulkhead connector

Characteristics

Structure type: Thread-Threaded connection
 Structure form: Right
 Connection 1: American ORFS male thread
 Sealing form: O-ring flat seal
 Connection 2: American ORFS thread
 Sealing form: O-ring flat seal
 Supply form: Connector body
 Standard: ISO8434-3

Material: Carbon steel · Stainless steel · Copper
 Surface protection:
 Trivalent chromium environmental protection zinc layer
 Description:
 For instructions on assembly, embedding,
 and pressure load as well as allowable
 operating temperature, please refer to the
 technical information for fastening sleeve bolts



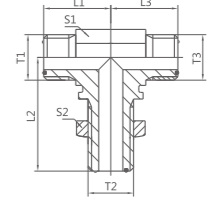
| Drawing No. | T1 | T2 | L1 | L2 | S1 | S2 | T1, T2end O-ring |
|-------------|------------|------------|------|------|----|----|------------------|
| O-WSV-04 | 9/16x18 | 9/16x18 | 23 | 47 | 14 | 22 | 7.65x1.78 |
| O-WSV-06 | 11/16x16 | 11/16x16 | 27.5 | 52 | 19 | 27 | 9.25x1.78 |
| O-WSV-08 | 13/16x16 | 13/16x16 | 31 | 55.5 | 22 | 30 | 9.25x1.78 |
| O-WSV-10 | 1x14 | 1x14 | 36.5 | 63 | 27 | 36 | 15.6x1.78 |
| O-WSV-12 | 1 3/16x12 | 1 3/16x12 | 38.5 | 67.2 | 30 | 38 | 18.77x1.78 |
| O-WSV-16 | 1 7/16x12 | 1 7/16x12 | 44.5 | 71.2 | 36 | 46 | 23.52x1.78 |
| O-WSV-20 | 1 11/16x12 | 1 11/16x12 | 47.5 | 75.5 | 41 | 50 | 29.87x1.78 |
| O-WSV-24 | 2x12 | 2x12 | 53.5 | 79.5 | 50 | 60 | 37.82x1.78 |

American ORFS male thread O-ring flat seal bulkhead connector branch tee

Characteristics

Structure type: Thread-Threaded connection
 Structure form: Tee
 Connection 1, 3: American ORFS thread
 Sealing form: O-ring flat seal
 Connection 2: American ORFS thread
 Sealing form: O-ring flat seal
 Supply form: Connector body
 Standard: ISO8434-3

Material: Carbon steel · Stainless steel · Copper
 Surface protection:
 Trivalent chromium environmental protection zinc layer
 Description:
 For instructions on assembly, embedding,
 and pressure load as well as allowable
 operating temperature, please refer to the
 technical information for fastening sleeve bolts



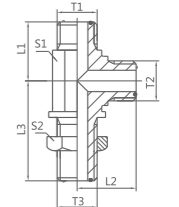
| Drawing No. | T1, T2 | T3 | L1 | L2 | L3 | S1 | S2 | O-ring |
|-------------|------------|------------|------|------|------|----|----|------------|
| O-TSV-04 | 9/16x18 | 9/16x18 | 23 | 47 | 23 | 14 | 22 | 7.65x1.78 |
| O-TSV-06 | 11/16x16 | 11/16x16 | 27 | 52 | 27 | 19 | 27 | 9.25x1.78 |
| O-TSV-08 | 13/16x16 | 13/16x16 | 31 | 55.5 | 31 | 22 | 30 | 9.25x1.78 |
| O-TSV-10 | 1x14 | 1x14 | 36.5 | 63 | 36.5 | 27 | 36 | 15.6x1.78 |
| O-TSV-12 | 1 3/16x12 | 1 3/16x12 | 41 | 67.2 | 41 | 30 | 41 | 18.77x1.78 |
| O-TSV-16 | 1 7/16x12 | 1 7/16x12 | 44.5 | 71.2 | 44.5 | 36 | 46 | 23.52x1.78 |
| O-TSV-20 | 1 11/16x12 | 1 11/16x12 | 47.5 | 75.5 | 47.5 | 41 | 50 | 29.87x1.78 |
| O-TSV-24 | 2x12 | 2x12 | 53.5 | 79.5 | 53.5 | 50 | 60 | 37.82x1.78 |

American ORFS male thread O-ring flat seal bulkhead connector main branch tee

Characteristics

Structure type: Thread-Threaded connection
 Structure form: Tee
 Connection 1, 2: American ORFS thread
 Sealing form: O-ring flat seal
 Connection 3: American ORFS thread
 Sealing form: O-ring flat seal
 Supply form: Connector body
 Standard: ISO8434-3

Material: Carbon steel · Stainless steel · Copper
 Surface protection:
 Trivalent chromium environmental protection zinc layer
 Description:
 For instructions on assembly, embedding,
 and pressure load as well as allowable
 operating temperature, please refer to the
 technical information for fastening sleeve bolts



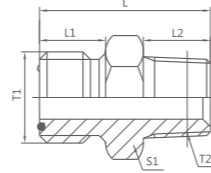
| Drawing No. | T1, T2 | T3 | L1 | L2 | L3 | S1 | S2 | T1, T2, T3end O-ring |
|-------------|------------|------------|------|------|------|----|----|----------------------|
| O-LSV-04 | 9/16x18 | 9/16x18 | 23 | 23 | 47 | 14 | 22 | 7.65x1.78 |
| O-LSV-06 | 11/16x16 | 11/16x16 | 27 | 27 | 52 | 19 | 27 | 9.25x1.78 |
| O-LSV-08 | 13/16x16 | 13/16x16 | 31 | 31 | 55.5 | 22 | 30 | 9.25x1.78 |
| O-LSV-10 | 1x14 | 1x14 | 36.5 | 36.5 | 63 | 27 | 36 | 15.6x1.78 |
| O-LSV-12 | 1 3/16x12 | 1 3/16x12 | 41 | 41 | 67.2 | 30 | 38 | 18.77x1.78 |
| O-LSV-16 | 1 7/16x12 | 1 7/16x12 | 44.5 | 44.5 | 71.2 | 36 | 46 | 23.52x1.78 |
| O-LSV-20 | 1 11/16x12 | 1 11/16x12 | 47.5 | 47.5 | 75.5 | 41 | 50 | 29.87x1.78 |
| O-LSV-24 | 2x12 | 2x12 | 53.5 | 53.5 | 79.5 | 50 | 60 | 37.82x1.78 |

American ORFS male thread O-ring flat seal / American taper pipe male thread

Characteristics

Structure type: Thread-Threaded connection
 Structure form: Through
 Connection 1: American ORFS thread
 Sealing form: O-ring flat seal
 Connection 2: Taper male thread
 Sealing form: Thread seal
 Supply form: Connector body
 Standard: ISO8434-3

Material: Carbon steel · Stainless steel · Copper
 Surface protection:
 Trivalent chromium environmental protection zinc layer
 Description:
 For instructions on assembly, embedding,
 and pressure load as well as allowable
 operating temperature, please refer to the
 technical information for fastening sleeve bolts



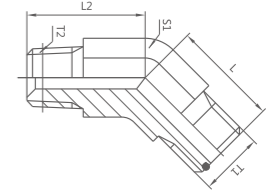
| Drawing No. | T1 | T2 | L | L1 | L2 | S1 | O-ring |
|---------------|------------|---------------|------|------|------|----|------------|
| O-GE-04-02NPT | 9/16x18 | NPT1/8x27 | 26.5 | 9.8 | 10.5 | 17 | 7.65x1.78 |
| O-GE-04NPT | 9/16x18 | NPT1/4x18 | 30.5 | 9.8 | 15 | 17 | 7.65x1.78 |
| O-GE-04-06NPT | 9/16x18 | NPT3/8x18 | 30.5 | 9.8 | 16 | 19 | 7.65x1.78 |
| O-GE-06-04NPT | 11/16x16 | NPT1/4x18 | 32 | 11.2 | 15 | 19 | 9.25x1.78 |
| O-GE-06NPT | 11/16x16 | NPT3/8x18 | 33.5 | 11.2 | 16 | 19 | 9.25x1.78 |
| O-GE-06-08NPT | 11/16x16 | NPT1/2x14 | 39 | 11.2 | 19.5 | 24 | 9.25x1.78 |
| O-GE-08-04NPT | 13/16x16 | NPT1/4x18 | 36 | 12.8 | 15 | 22 | 12.42x1.78 |
| O-GE-08-06NPT | 13/16x16 | NPT3/8x18 | 36.5 | 12.8 | 16 | 22 | 12.42x1.78 |
| O-GE-08NPT | 13/16x16 | NPT1/2x14 | 40 | 12.8 | 19.5 | 24 | 12.42x1.78 |
| O-GE-08-12NPT | 13/16x16 | NPT3/4x14 | 42.5 | 12.8 | 19.5 | 30 | 12.42x1.78 |
| O-GE-10-08NPT | 1x14 | NPT1/2x14 | 45 | 15.5 | 19.5 | 27 | 15.6x1.78 |
| O-GE-10-12NPT | 1x14 | NPT3/4x14 | 45 | 15.5 | 19.5 | 30 | 15.6x1.78 |
| O-GE-12-08NPT | 1 3/16x12 | NPT1/2x14 | 46.5 | 17 | 19.5 | 32 | 18.77x1.78 |
| O-GE-12NPT | 1 3/16x12 | NPT3/4x14 | 47 | 17 | 19.5 | 32 | 18.77x1.78 |
| O-GE-12-16NPT | 1 3/16x12 | NPT1x11.5 | 53.5 | 17 | 25.5 | 36 | 18.77x1.78 |
| O-GE-16-12NPT | 1 7/16x12 | NPT3/4x14 | 48 | 17.5 | 19.5 | 38 | 23.52x1.78 |
| O-GE-16NPT | 1 7/16x12 | NPT1x11.5 | 53.5 | 17.5 | 25.5 | 38 | 23.52x1.78 |
| O-GE-16-20NPT | 1 7/16x12 | NPT1 1/4x11.5 | 57 | 17.5 | 26.5 | 46 | 23.52x1.78 |
| O-GE-20-16NPT | 1 11/16x12 | NPT1x11.5 | 56 | 17.5 | 25.5 | 46 | 29.87x1.78 |
| O-GE-20NPT | 1 11/16x12 | NPT1 1/4x11.5 | 56.5 | 17.5 | 26.5 | 46 | 29.87x1.78 |
| O-GE-20-24NPT | 1 11/16x12 | NPT1 1/2x11.5 | 60 | 17.5 | 27.5 | 50 | 29.87x1.78 |
| O-GE-24NPT | 2x12 | NPT1 1/2x11.5 | 59.5 | 17.5 | 27.5 | 55 | 37.82x1.78 |

45° Bend American ORFS Male thread O-ring Flat

Characteristics

Structure type: Thread-Threaded connection
 Structure form: 45°Bevel
 Connection 1: American ORFS thread
 Sealing form: O-ring flat seal
 Connection 2: American ORFS male thread
 Sealing form: Taper male thread
 Supply form: Connector body
 Standard: ISO8434-3

Material: Carbon steel · Stainless steel · Copper
 Surface protection:
 Trivalent chromium environmental protection zinc layer
 Description:
 For instructions on assembly, embedding,
 and pressure load as well as allowable
 operating temperature, please refer to the
 technical information for fastening sleeve bolts



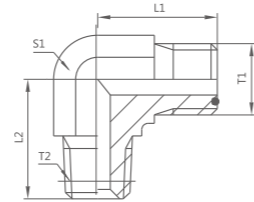
| Drawing No. | T1 | T2 | L1 | L2 | S1 | O-ring |
|---------------|------------|---------------|------|------|----|------------|
| O-VE-04-02NPT | 9/16x18 | NPT1/8x27 | 18.3 | 18 | 14 | 7.65x1.78 |
| O-VE-04NPT | 9/16x18 | NPT1/4x18 | 18.3 | 21 | 14 | 7.65x1.78 |
| O-VE-04-06NPT | 9/16x18 | NPT3/8x18 | 19.5 | 25 | 19 | 7.65x1.78 |
| O-VE-06-04NPT | 11/16x16 | NPT1/4x18 | 20.5 | 22 | 19 | 9.25x1.78 |
| O-VE-06NPT | 11/16x16 | NPT3/8x18 | 20.5 | 25 | 19 | 9.25x1.78 |
| O-VE-06-08NPT | 11/16x16 | NPT1/2x14 | 22 | 29.5 | 22 | 9.25x1.78 |
| O-VE-08-06NPT | 13/16x16 | NPT3/8x18 | 24 | 26 | 22 | 12.42x1.78 |
| O-VE-08NPT | 13/16x16 | NPT1/2x14 | 24 | 29.5 | 22 | 12.42x1.78 |
| O-VE-10-08NPT | 1x14 | NPT1/2x14 | 28 | 31 | 27 | 15.6x1.78 |
| O-VE-12NPT | 1 3/16x12 | NPT3/4x14 | 30.7 | 35.5 | 30 | 18.77x1.78 |
| O-VE-16NPT | 1 7/16x12 | NPT1x11.5 | 33 | 40 | 36 | 23.52x1.78 |
| O-VE-20NPT | 1 11/16x12 | NPT1 1/4x11.5 | 35.5 | 42.5 | 41 | 29.87x1.78 |
| O-VE-24NPT | 2x12 | NPT1 1/2x11.5 | 39 | 46.5 | 50 | 37.82x1.78 |

90° Bend American ORFS Male Thread O-ring Flat Seal / American taper pipe male thread

Characteristics

Structure type: Thread-Threaded connection
 Structure form: Right
 Connection 1: American ORFS thread
 Sealing form: O-ring flat seal
 Connection 2: Taper male thread
 Sealing form: Thread seal
 Supply form: Connector body
 Standard: ISO8434-3

Material: Carbon steel · Stainless steel · Copper
 Surface protection:
 Trivalent chromium environmental protection zinc layer
 Description:
 For instructions on assembly, embedding,
 and pressure load as well as allowable
 operating temperature, please refer to the
 technical information for fastening sleeve bolts



| Drawing No. | T1 | T2 | L1 | L2 | S1 | O-ring |
|---------------|------------|---------------|------|------|----|------------|
| O-WE-04-02NPT | 9/16x18 | NPT1/8x27 | 23 | 24 | 14 | 7.65x1.78 |
| O-WE-04NPT | 9/16x18 | NPT1/4x18 | 23 | 25.5 | 14 | 7.65x1.78 |
| O-WE-06-04NPT | 11/16x16 | NPT1/4x18 | 27 | 28.5 | 19 | 9.25x1.78 |
| O-WE-06NPT | 11/16x16 | NPT3/8x18 | 27.5 | 31 | 19 | 9.25x1.78 |
| O-WE-06-08NPT | 11/16x16 | NPT1/2x14 | 29 | 36.7 | 22 | 9.25x1.78 |
| O-WE-08-06NPT | 13/16x16 | NPT3/8x18 | 31 | 33.5 | 22 | 12.42x1.78 |
| O-WE-08NPT | 13/16x16 | NPT1/2x14 | 31 | 37.3 | 22 | 12.42x1.78 |
| O-WE-08-12NPT | 13/16x16 | NPT3/4x14 | 34.5 | 44 | 27 | 12.42x1.78 |
| O-WE-10-08NPT | 1x14 | NPT1/2x14 | 36.5 | 40 | 27 | 15.6x1.78 |
| O-WE-10-12NPT | 1x14 | NPT3/4x14 | 36.5 | 44 | 27 | 15.6x1.78 |
| O-WE-12-08NPT | 1 3/16x12 | NPT1/2x14 | 40.3 | 41.5 | 30 | 18.77x1.78 |
| O-WE-12NPT | 1 3/16x12 | NPT3/4x14 | 41 | 45.5 | 30 | 18.77x1.78 |
| O-WE-12-16NPT | 1 3/16x12 | NPT1x11.5 | 43 | 50 | 33 | 18.77x1.78 |
| O-WE-16-12NPT | 1 7/16x12 | NPT3/4x14 | 44.5 | 49 | 36 | 23.52x1.78 |
| O-WE-16NPT | 1 7/16x12 | NPT1x11.5 | 44.5 | 51.5 | 36 | 23.52x1.78 |
| O-WE-20-16NPT | 1 11/16x12 | NPT1x11.5 | 47.5 | 54.5 | 41 | 29.87x1.78 |
| O-WE-20NPT | 1 11/16x12 | NPT1 1/4x11.5 | 47.5 | 54.5 | 41 | 29.87x1.78 |
| O-WE-24NPT | 2x12 | NPT1 1/2x11.5 | 53.5 | 61 | 50 | 37.82x1.78 |

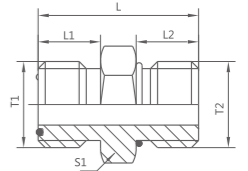
American thread O-ring flat seal joint

American ORFS male thread O-ring flat seal / metric male thread heavy series

Characteristics

Structure type: Thread-Threaded connection
 Structure form: Through
 Connection 1: American ORFS thread
 Sealing form: O-ring flat seal
 Connection 2: Metric male thread
 Sealing form: O-ring seal
 Supply form: Connector body
 Standard: ISO8434-3

Material: Carbon steel · Stainless steel · Copper
 Surface protection:
 Trivalent chromium environmental protection zinc layer
 Description:
 For instructions on assembly, embedding,
 and pressure load as well as allowable
 operating temperature, please refer to the
 technical information for fastening sleeve bolts



| Drawing No. | T1 | T2 | L | L1 | L2 | S1 | T1end O-ring | T2end O-ring |
|-------------|------------|---------|------|------|------|----|--------------|--------------|
| O-GE-04-10M | 9/16x18 | M10x1 | 28 | 9.8 | 9.5 | 17 | 7.65x1.78 | 8.1x1.6 |
| O-GE-04-12M | 9/16x18 | M12x1.5 | 29.5 | 9.8 | 11 | 17 | 7.65x1.78 | 9.3x2.2 |
| O-GE-06-12M | 11/16x16 | M12x1.5 | 31 | 11.2 | 11 | 19 | 9.25x1.78 | 9.3x2.2 |
| O-GE-06-14M | 11/16x16 | M14x1.5 | 31 | 11.2 | 11 | 19 | 9.25x1.78 | 11.3x2.2 |
| O-GE-06-16M | 11/16x16 | M16x1.5 | 33.5 | 11.2 | 12.5 | 22 | 9.25x1.78 | 13.3x2.2 |
| O-GE-08-16M | 13/16x16 | M16x1.5 | 36 | 12.8 | 12.5 | 22 | 12.42x1.78 | 13.3x2.2 |
| O-GE-08-18M | 13/16x16 | M18x1.5 | 36.5 | 12.8 | 14 | 24 | 12.42x1.78 | 15.3x2.2 |
| O-GE-08-22M | 13/16x16 | M22x1.5 | 37.5 | 12.8 | 15 | 27 | 12.42x1.78 | 19.3x2.2 |
| O-GE-10-22M | 1x14 | M22x1.5 | 40.5 | 15.5 | 15 | 27 | 15.6x1.78 | 19.3x2.2 |
| O-GE-12-22M | 1 3/16x12 | M22x1.5 | 45.5 | 17 | 15 | 32 | 18.77x1.78 | 19.3x2.2 |
| O-GE-12-27M | 1 3/16x12 | M27x2 | 44 | 17 | 18.5 | 32 | 18.77x1.78 | 23.6x2.9 |
| O-GE-16-33M | 1 7/16x12 | M33x2 | 51 | 15.5 | 18.5 | 41 | 23.52x1.78 | 29.6x2.9 |
| O-GE-20-42M | 1 11/16x12 | M42x2 | 54.5 | 15.5 | 19 | 50 | 29.87x1.78 | 38.6x2.9 |
| O-GE-24-48M | 2x12 | M48x2 | 57 | 15.5 | 21.5 | 55 | 37.82x1.78 | 44.6x2.9 |

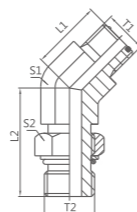
American thread O-ring flat seal joint

45° Bend American ORFS male thread O-ring face seal / Metric male thread adjustable column end Heavy Series

Characteristics

Structure type: Thread-Threaded connection
 Structure form: 45°Bevel
 Connection 1: American ORFS thread
 Sealing form: O-ring flat seal
 Connection 2: Metric male thread
 Sealing form: O-ring flat seal
 Supply form: Connector body
 Standard: ISO8434/ISO6149-2

Material: Carbon steel · Stainless steel · Copper
 Surface protection:
 Trivalent chromium environmental protection zinc layer
 Description:
 For instructions on assembly, embedding, and pressure load as well as allowable operating temperature, please refer to the technical information for fastening sleeve bolts



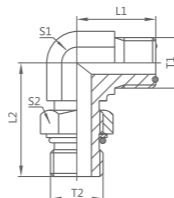
| Drawing No. | T1 | T2 | L1 | L2 | S1 | S2 | Flat nut | T1end O-ring | T2end O-ring |
|--------------|-----------|---------|------|------|----|----|-------------|--------------|--------------|
| O-VEE-04-14M | 9/16x18 | M14x1.5 | 18.3 | 29.5 | 14 | 19 | BMS-M14x1.5 | 7.65x1.78 | 11.3x2.2 |
| O-VEE-06-14M | 11/16x16 | M14x1.5 | 20.5 | 33 | 19 | 19 | BMS-M14x1.5 | 9.25x1.78 | 11.3x2.2 |
| O-VEE-06-16M | 11/16x16 | M16x1.5 | 20.5 | 33.5 | 19 | 22 | BMS-M16x1.5 | 9.25x1.78 | 13.3x2.2 |
| O-VEE-08-16M | 13/16x16 | M16x1.5 | 24 | 33.5 | 22 | 22 | BMS-M16x1.5 | 12.42x1.78 | 13.3x2.2 |
| O-VEE-08-18M | 13/16x16 | M18x1.5 | 24 | 36 | 22 | 24 | BMS-M18x1.5 | 12.42x1.78 | 15.3x2.2 |
| O-VEE-10-22M | 1x14 | M22x1.5 | 28 | 38.5 | 27 | 27 | BMS-M22x1.5 | 15.6x1.78 | 19.3x2.2 |
| O-VEE-12-22M | 1 3/16x12 | M22x1.5 | 30.7 | 39.5 | 30 | 27 | BMS-M22x1.5 | 18.77x1.78 | 19.3x2.2 |
| O-VEE-12-27M | 1 3/16x12 | M27x2 | 30.7 | 40 | 30 | 32 | BMS-M27x2 | 18.77x1.78 | 23.6x2.9 |
| O-VEE-16-33M | 1 7/16x12 | M33x2 | 33 | 48.5 | 36 | 41 | BMS-M33x2 | 23.52x1.78 | 29.6x2.9 |

90° Bend American ORFS Male Thread O-ring Face Seal / Metric Male Thread Adjustable Column End Heavy Series

Characteristics

Structure type: Thread-Threaded connection
 Structure form: Right
 Connection 1: American ORFS thread
 Sealing form: O-ring flat seal
 Connection 2: Metric male thread
 Sealing form: O-ring flat seal
 Supply form: Connector body
 Standard: ISO8434-3/ISO6149-2

Material: Carbon steel · Stainless steel · Copper
 Surface protection:
 Trivalent chromium environmental protection zinc layer
 Description:
 For instructions on assembly, embedding, and pressure load as well as allowable operating temperature, please refer to the technical information for fastening sleeve bolts



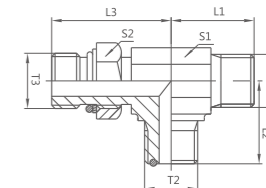
| Drawing No. | T1 | T2 | L1 | L2 | S1 | S2 | T1end O-ring | T2end O-ring | Flat nut |
|--------------|-----------|---------|------|------|----|----|--------------|--------------|-------------|
| O-WEE-04-12M | 9/16x18 | M12x1.5 | 23 | 32 | 14 | 17 | 7.65x1.78 | 9.3x2.2 | BMS-M12x1.5 |
| O-WEE-06-14M | 11/16x16 | M14x1.5 | 27 | 35.5 | 19 | 19 | 9.25x1.78 | 11.3x2.2 | BMS-M14x1.5 |
| O-WEE-06-16M | 11/16x16 | M16x1.5 | 27 | 38 | 19 | 22 | 9.25x1.78 | 11.3x2.2 | BMS-M16x1.5 |
| O-WEE-08-16M | 13/16x16 | M16x1.5 | 31 | 40.5 | 22 | 22 | 12.42x1.78 | 13.3x2.2 | BMS-M16x1.5 |
| O-WEE-08-18M | 13/16x16 | M18x1.5 | 31 | 43 | 22 | 24 | 12.42x1.78 | 13.3x2.2 | BMS-M18x1.5 |
| O-WEE-08-22M | 13/16x16 | M22x1.5 | 31 | 44.5 | 22 | 27 | 12.42x1.78 | 15.3x2.2 | BMS-M22x1.5 |
| O-WEE-10-22M | 1x14 | M22x1.5 | 36.5 | 48 | 27 | 27 | 15.6x1.78 | 19.3x2.2 | BMS-M22x1.5 |
| O-WEE-12-27M | 1 3/16x12 | M27x2 | 40.5 | 50 | 30 | 32 | 18.77x1.78 | 19.3x2.2 | BMS-M27x2 |
| O-WEE-12-33M | 1 3/16x12 | M33x2 | 42.5 | 56 | 33 | 41 | 18.77x1.78 | 23.6x2.9 | BMS-M33x2 |
| O-WEE-16-33M | 1 7/16x12 | M33x2 | 44.5 | 58.5 | 36 | 41 | 23.52x1.78 | 29.6x2.9 | BMS-M33x2 |

American ORFS male thread O-ring face seal / Metric male thread adjustable column end Heavy Series main branch tee

Characteristics

Structure type: Thread-Threaded connection
 Structure form: Tee
 Connection1、2: American ORFS thread
 Sealing form: O-ring flat seal
 Connection 3: Taper male thread
 Sealing form: O-ring flat seal
 Supply form: Connector body
 Standard: ISO8434-3/ISO6149-2

Material: Carbon steel · Stainless steel · Copper
 Surface protection:
 Trivalent chromium environmental protection zinc layer
 Description:
 For instructions on assembly, embedding, and pressure load as well as allowable operating temperature, please refer to the technical information for fastening sleeve bolts



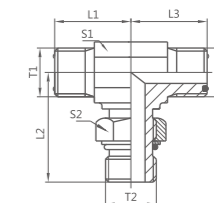
| Drawing No. | T1、T3 | T2 | L1、L2 | L3 | S1 | S2 | T1、T2end O-ring | T3end O-ring | Flat nut |
|-----------------|-----------|---------|-------|------|----|----|-----------------|--------------|-------------|
| O-LEE-04-04-14M | 9/16x18 | M14x1.5 | 23 | 33.5 | 14 | 19 | 7.65x1.78 | 11.3x2.2 | BMS-M14x1.5 |
| O-LEE-06-06-16M | 11/16x16 | M16x1.5 | 27 | 38 | 19 | 22 | 9.25x1.78 | 13.3x2.2 | BMS-M16x1.5 |
| O-LEE-08-08-22M | 13/16x16 | M22x1.5 | 31 | 44.5 | 22 | 27 | 12.42x1.78 | 19.3x2.2 | BMS-M22x1.5 |
| O-LEE-10-10-22M | 1x14 | M22x1.5 | 36.5 | 48 | 27 | 27 | 15.6x1.78 | 19.3x2.2 | BMS-M22x1.5 |
| O-LEE-12-12-27M | 1 3/16x12 | M27x2 | 40.5 | 50 | 30 | 32 | 18.77x1.78 | 23.6x2.9 | BMS-M27x2 |
| O-LEE-16-16-33M | 1 7/16x12 | M33x2 | 44.5 | 58.5 | 36 | 41 | 23.52x1.78 | 29.6x2.9 | BMS-M33x2 |

American ORFS male thread O-ring face seal / Metric male thread adjustable column end heavy branch tee

Characteristics

Structure type: Thread-Threaded connection
 Structure form: Tee
 Connection1、3: American ORFS thread
 Sealing form: O-ring flat seal
 Connection 2: Taper male thread
 Sealing form: O-ring flat seal
 Supply form: Connector body
 Standard: ISO8434-3/ISO6149-2

Material: Carbon steel · Stainless steel · Copper
 Surface protection:
 Trivalent chromium environmental protection zinc layer
 Description:
 For instructions on assembly, embedding, and pressure load as well as allowable operating temperature, please refer to the technical information for fastening sleeve bolts



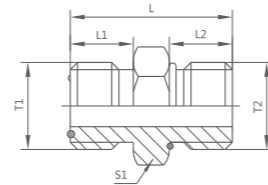
| Drawing No. | T1 | T2 | T3 | L1 | L2 | L3 | S1 | S2 | T1、T2end O-ring | T3end O-ring | Flat nut |
|-----------------|-----------|---------|-----------|------|------|------|----|----|-----------------|--------------|-------------|
| O-TEE-04-14-04M | 9/16x18 | M14x1.5 | 9/16x18 | 23 | 33.5 | 23 | 14 | 19 | 7.65x1.78 | 11.3x2.2 | BMS-M14x1.5 |
| O-TEE-06-16-06M | 11/16x16 | M16x1.5 | 11/16x16 | 27 | 38 | 27 | 19 | 22 | 9.25x1.78 | 13.3x2.2 | BMS-M16x1.5 |
| O-TEE-08-22-08M | 13/16x16 | M22x1.5 | 13/16x16 | 31 | 44.5 | 31 | 22 | 27 | 12.42x1.78 | 19.3x2.2 | BMS-M22x1.5 |
| O-TEE-10-22-10M | 1x14 | M22x1.5 | 1x14 | 36.5 | 48 | 36.5 | 27 | 27 | 15.6x1.78 | 19.3x2.2 | BMS-M22x1.5 |
| O-TEE-12-27-12M | 1 3/16x12 | M27x2 | 1 3/16x12 | 40.5 | 50 | 40.5 | 30 | 32 | 18.77x1.78 | 23.6x2.9 | BMS-M27x2 |
| O-TEE-16-33-16M | 1 7/16x12 | M33x2 | 1 7/16x12 | 44.5 | 58.5 | 44.5 | 36 | 41 | 23.52x1.78 | 29.6x2.9 | BMS-M33x2 |

American ORFS male thread O-ring flat seal
American SAE male thread O-ring seal heavy series

Characteristics

Structure type: Thread-Threaded connection
Structure form: Through
Connection 1: American ORFS thread
Sealing form: O-ring flat seal
Connection 2: Taper male thread
Sealing form: O-ring flat seal
Supply form: Connector body
Standard: ISO8434-3/ISO11926-2

Material: Carbon steel · Stainless steel · Copper
Surface protection:
Trivalent chromium environmental protection zinc layer
Description:
For instructions on assembly, embedding,
and pressure load as well as allowable
operating temperature, please refer to the
technical information for fastening sleeve bolts



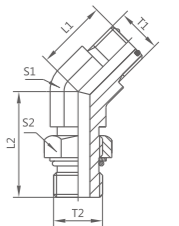
| Drawing No. | T1 | T2 | L | L1 | L2 | S1 | T1end O-ring | T2end O-ring |
|---------------|------------|-----------|------|------|------|----|--------------|--------------|
| O-GE-04UNF | 9/16x18 | 7/16x20 | 28.7 | 9.8 | 11 | 17 | 7.65x1.78 | 9.17x1.83 |
| O-GE-04-05UNF | 9/16x18 | 1/2x20 | 28.7 | 9.8 | 11 | 17 | 7.65x1.78 | 10.52x1.83 |
| O-GE-04-06UNF | 9/16x18 | 9/16x18 | 29.5 | 9.8 | 12 | 17 | 7.65x1.78 | 11.89x1.98 |
| O-GE-04-08UNF | 9/16x18 | 3/4x16 | 33.5 | 9.8 | 14 | 22 | 7.65x1.78 | 16.36x2.21 |
| O-GE-06-04UNF | 11/16x16 | 7/16x20 | 31 | 11.2 | 11 | 19 | 9.25x1.78 | 9.17x1.83 |
| O-GE-06-05UNF | 11/16x16 | 1/2x20 | 30.9 | 11.2 | 11 | 19 | 9.25x1.78 | 10.52x1.83 |
| O-GE-06UNF | 11/16x16 | 9/16x18 | 31.9 | 11.2 | 12 | 19 | 9.25x1.78 | 11.89x1.98 |
| O-GE-06-08UNF | 11/16x16 | 3/4x16 | 35 | 11.2 | 14 | 22 | 9.25x1.78 | 16.36x2.21 |
| O-GE-06-10UNF | 11/16x16 | 7/8x14 | 38.5 | 11.2 | 16 | 27 | 9.25x1.78 | 19.18x2.46 |
| O-GE-08-06UNF | 13/16x16 | 9/16x18 | 34.5 | 12.8 | 12 | 22 | 12.42x1.78 | 11.89x1.98 |
| O-GE-08UNF | 13/16x16 | 3/4x16 | 36.6 | 12.8 | 14 | 22 | 12.42x1.78 | 16.36x2.21 |
| O-GE-08-10UNF | 13/16x16 | 7/8x14 | 40.5 | 12.8 | 16 | 27 | 12.42x1.78 | 19.18x2.46 |
| O-GE-08-12UNF | 13/16x16 | 1 1/16x12 | 44.5 | 12.8 | 18.5 | 32 | 12.42x1.78 | 23.47x2.95 |
| O-GE-10UNF | 1x14 | 7/8x14 | 43.1 | 15.5 | 16 | 27 | 15.6x1.78 | 19.18x2.46 |
| O-GE-10-08UNF | 1x14 | 3/4x16 | 41 | 15.5 | 14 | 27 | 15.6x1.78 | 16.36x2.21 |
| O-GE-10-12UNF | 1x14 | 1 1/16x12 | 47 | 15.5 | 18.5 | 32 | 15.6x1.78 | 23.47x2.95 |
| O-GE-12-10UNF | 1 3/16x12 | 7/8x14 | 46 | 17 | 16 | 32 | 15.6x1.78 | 19.18x2.46 |
| O-GE-12UNF | 1 3/16x12 | 1 1/16x12 | 48.6 | 17 | 18.5 | 32 | 18.77x1.78 | 23.47x2.95 |
| O-GE-12-16UNF | 1 3/16x12 | 1 5/16x12 | 49.8 | 17 | 18.5 | 38 | 18.77x1.78 | 29.74x2.95 |
| O-GE-16-12UNF | 1 7/16x12 | 1 1/16x12 | 50 | 17.5 | 18.5 | 38 | 23.52x1.78 | 23.47x2.95 |
| O-GE-16UNF | 1 7/16x12 | 1 5/16x12 | 50.3 | 17.5 | 18.5 | 38 | 23.52x1.78 | 29.74x2.95 |
| O-GE-16-20UNF | 1 7/16x12 | 1 5/8x12 | 52 | 17.5 | 18.5 | 50 | 23.52x1.78 | 37.47x3 |
| O-GE-20-16UNF | 1 11/16x12 | 1 5/16x12 | 52 | 17.5 | 18.5 | 46 | 29.87x1.78 | 29.74x2.95 |
| O-GE-20UNF | 1 11/16x12 | 1 5/8x12 | 52.3 | 17.5 | 18.5 | 50 | 29.87x1.78 | 37.47x3 |
| O-GE-24-20UNF | 2x12 | 1 5/8x12 | 54 | 17.5 | 18.5 | 55 | 37.82x1.78 | 37.47x3 |
| O-GE-24UNF | 2x12 | 1 7/8x12 | 54.1 | 17.5 | 18.5 | 55 | 37.82x1.78 | 43.69x3 |

45° Bend American ORFS male thread O-ring flat seal
American SAE male thread O-ring seal heavy series

Characteristics

Structure type: Thread-Threaded connection
Structure form: 45°Bevel
Connection 1: American ORFS thread
Sealing form: O-ring flat seal
Connection 2: American male thread
Sealing form: O-ring flat seal
Supply form: Connector body
Standard: ISO8434-3/ISO11926-2

Material: Carbon steel · Stainless steel · Copper
Surface protection:
Trivalent chromium environmental protection zinc layer
Description:
For instructions on assembly, embedding,
and pressure load as well as allowable
operating temperature, please refer to the
technical information for fastening sleeve bolts



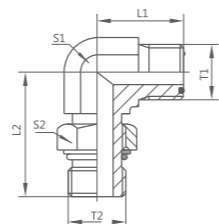
| Drawing No. | T1 | T2 | L1 | L2 | S1 | S2 | Flat nut | T1end O-ring | T2end O-ring |
|----------------|------------|-----------|------|------|----|----|----------|--------------|--------------|
| O-VEE-04UNF | 9/16x18 | 7/16x20 | 18.3 | 26 | 14 | 17 | 8JS-04 | 7.65x1.78 | 9.17x1.83 |
| O-VEE-04-06UNF | 9/16x18 | 9/16x18 | 18.3 | 28 | 14 | 19 | 8JS-06 | 7.65x1.78 | 11.89x1.98 |
| O-VEE-06-04UNF | 11/16x16 | 7/16x20 | 20.5 | 27.3 | 19 | 17 | 8JS-04 | 9.25x1.78 | 9.17x1.83 |
| O-VEE-06UNF | 11/16x16 | 9/16x18 | 20.5 | 29.5 | 19 | 19 | 8JS-06 | 9.25x1.78 | 11.89x1.98 |
| O-VEE-06-08UNF | 11/16x16 | 3/4x16 | 20.5 | 32.5 | 19 | 24 | 8JS-08 | 9.25x1.78 | 16.36x2.21 |
| O-VEE-08-06UNF | 13/16x16 | 9/16x18 | 24 | 30.8 | 22 | 19 | 8JS-06 | 12.42x1.78 | 11.89x1.98 |
| O-VEE-08UNF | 13/16x16 | 3/4x16 | 24 | 34 | 22 | 24 | 8JS-08 | 12.42x1.78 | 16.36x2.21 |
| O-VEE-08-10UNF | 13/16x16 | 7/8x14 | 24 | 39.5 | 22 | 27 | 8JS-10 | 12.42x1.78 | 19.18x2.46 |
| O-VEE-08-12UNF | 13/16x16 | 1 1/16x12 | 25.5 | 44 | 27 | 32 | 8JS-12 | 12.42x1.78 | 23.47x2.95 |
| O-VEE-10-08UNF | 1x14 | 3/4x16 | 28 | 34 | 27 | 24 | 8JS-08 | 15.6x1.78 | 16.36x2.21 |
| O-VEE-10UNF | 1x14 | 7/8x14 | 28 | 41.5 | 27 | 27 | 8JS-10 | 15.6x1.78 | 19.18x2.46 |
| O-VEE-10-12UNF | 1x14 | 1 1/16x12 | 28 | 44 | 27 | 32 | 8JS-12 | 15.6x1.78 | 23.47x2.95 |
| O-VEE-12-10UNF | 1 3/16x12 | 7/8x14 | 30.7 | 42 | 30 | 27 | 8JS-10 | 18.77x1.78 | 19.18x2.46 |
| O-VEE-12UNF | 1 3/16x12 | 1 1/16x12 | 30.7 | 45.5 | 30 | 32 | 8JS-12 | 18.77x1.78 | 23.47x2.95 |
| O-VEE-12-16UNF | 1 3/16x12 | 1 5/16x12 | 32.5 | 47.9 | 36 | 41 | 8JS-16 | 18.77x1.78 | 29.74x2.95 |
| O-VEE-16-12UNF | 1 7/16x12 | 1 1/16x12 | 33 | 47.9 | 36 | 32 | 8JS-12 | 23.52x1.78 | 23.47x2.95 |
| O-VEE-16UNF | 1 7/16x12 | 1 5/16x12 | 33 | 47.9 | 36 | 41 | 8JS-16 | 23.52x1.78 | 29.74x2.95 |
| O-VEE-16-20UNF | 1 7/16x12 | 1 5/8x12 | 35.5 | 48.5 | 41 | 50 | 8JS-20 | 23.52x1.78 | 37.47x3 |
| O-VEE-20UNF | 1 11/16x12 | 1 5/8x12 | 35.5 | 48.8 | 41 | 50 | 8JS-20 | 29.87x1.78 | 29.74x2.95 |
| O-VEE-20-24UNF | 1 11/16x12 | 1 7/8x12 | 38 | 51 | 48 | 55 | 8JS-24 | 29.87x1.78 | 37.47x3 |
| O-VEE-24UNF | 2x12 | 1 7/8x12 | 39 | 52 | 50 | 55 | 8JS-24 | 37.82x1.78 | 43.69x3 |

90° Bend American ORFS male thread O-ring flat seal/ American SAE male thread O-ring seal heavy series ISO11926-2

Characteristics

Structure type: Thread-Threaded connection
Structure form: Right
Connection 1: American ORFS thread
Sealing form: O-ring flat seal
Connection 2: Metric male thread
Sealing form: O-ring seal
Supply form: Connector body
Standard: ISO8434-3/ISO11926-2

Material: Carbon steel · Stainless steel · Copper
Surface protection:
Trivalent chromium environmental protection zinc layer
Description:
For instructions on assembly, embedding,
and pressure load as well as allowable
operating temperature, please refer to the
technical information for fastening sleeve bolts



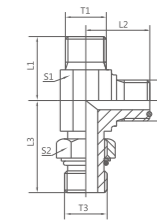
| Drawing No. | T1 | T2 | L1 | L2 | S1 | S2 | Flat nut | T1end O-ring | T2end O-ring |
|----------------|------------|-----------|------|------|----|----|----------|--------------|--------------|
| O-WEE-04UNF | 9/16x18 | 7/16x20 | 23 | 30.3 | 14 | 17 | 8JS-04 | 7.65x1.78 | 9.17x1.83 |
| O-WEE-04-06UNF | 9/16x18 | 9/16x18 | 23 | 32 | 14 | 19 | 8JS-06 | 7.65x1.78 | 11.89x1.98 |
| O-WEE-06-04UNF | 11/16x16 | 7/16x20 | 27.5 | 33.5 | 19 | 17 | 8JS-04 | 9.25x1.78 | 9.17x1.83 |
| O-WEE-06UNF | 11/16x16 | 9/16x18 | 27.5 | 34.5 | 19 | 19 | 8JS-06 | 9.25x1.78 | 11.89x1.98 |
| O-WEE-06-08UNF | 11/16x16 | 3/4x16 | 27.5 | 38 | 19 | 24 | 8JS-08 | 9.25x1.78 | 16.36x2.21 |
| O-WEE-06-10UNF | 11/16x16 | 7/8x14 | 29 | 47 | 22 | 27 | 8JS-10 | 9.25x1.78 | 19.18x2.46 |
| O-WEE-08-06UNF | 13/16x16 | 9/16x18 | 31 | 37 | 22 | 19 | 8JS-06 | 12.42x1.78 | 11.89x1.98 |
| O-WEE-08UNF | 13/16x16 | 3/4x16 | 31 | 40.5 | 22 | 24 | 8JS-08 | 12.42x1.78 | 16.36x2.21 |
| O-WEE-08-10UNF | 13/16x16 | 7/8x14 | 31 | 45.3 | 22 | 27 | 8JS-10 | 12.42x1.78 | 19.18x2.46 |
| O-WEE-08-12UNF | 13/16x16 | 1 1/16x12 | 34.5 | 52 | 27 | 32 | 8JS-12 | 12.42x1.78 | 23.47x2.95 |
| O-WEE-10-08UNF | 1x14 | 3/4x16 | 36.5 | 45 | 27 | 24 | 8JS-08 | 15.6x1.78 | 16.36x2.21 |
| O-WEE-10UNF | 1x14 | 7/8x14 | 36.5 | 50.8 | 27 | 27 | 8JS-10 | 15.6x1.78 | 19.18x2.46 |
| O-WEE-10-12UNF | 1x14 | 1 1/16x12 | 36.5 | 52 | 27 | 32 | 8JS-12 | 15.6x1.78 | 23.47x2.95 |
| O-WEE-12-10UNF | 1 3/16x12 | 7/8x14 | 41 | 52.8 | 30 | 27 | 8JS-10 | 18.77x1.78 | 19.18x2.46 |
| O-WEE-12UNF | 1 3/16x12 | 1 1/16x12 | 41 | 54 | 30 | 32 | 8JS-12 | 18.77x1.78 | 23.47x2.95 |
| O-WEE-12-16UNF | 1 3/16x12 | 1 5/16x12 | 43 | 55.5 | 33 | 41 | 8JS-16 | 18.77x1.78 | 29.74x2.95 |
| O-WEE-16-12UNF | 1 7/16x12 | 1 1/16x12 | 44.5 | 59 | 36 | 32 | 8JS-12 | 23.52x1.78 | 23.47x2.95 |
| O-WEE-16UNF | 1 7/16x12 | 1 5/16x12 | 44.5 | 59 | 36 | 41 | 8JS-16 | 23.52x1.78 | 29.74x2.95 |
| O-WEE-20UNF | 1 11/16x12 | 1 5/8x12 | 47.5 | 60.5 | 41 | 50 | 8JS-20 | 29.87x1.78 | 37.47x3 |
| O-WEE-20-24UNF | 1 11/16x12 | 1 7/8x12 | 51.5 | 66.5 | 48 | 55 | 8JS-24 | 29.87x1.78 | 43.69x3 |
| O-WEE-24-20UNF | 2x12 | 1 5/8x12 | 53.5 | 67.5 | 50 | 50 | 8JS-20 | 37.82x1.78 | 37.47x3 |
| O-WEE-24UNF | 2x12 | 1 7/8x12 | 53.5 | 67.5 | 60 | 55 | 8JS-24 | 37.82x1.78 | 43.69x3 |

American ORFS male thread O-ring flat seal American SAE male thread O-ring seal heavy series main branch tee

Characteristics

Structure type: Thread-Threaded connection
Structure form: Tee
Connection 1: American ORFS thread
Sealing form: O-ring flat seal
Connection 2: American male thread
Sealing form: O-ring seal
Supply form: Connector body
Standard: ISO8434-3

Material: Carbon steel · Stainless steel · Copper
Surface protection:
Trivalent chromium environmental protection zinc layer
Description:
For instructions on assembly, embedding,
and pressure load as well as allowable
operating temperature, please refer to the
technical information for fastening sleeve bolts



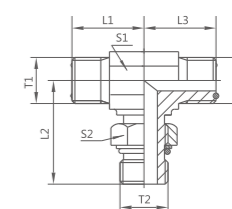
| Drawing No. | T1, T2 | T3 | L1, L2 | L3 | S1 | S2 | Flat nut | T1end O-ring | T2end O-ring |
|-------------------|------------|-----------|--------|------|----|----|----------|--------------|--------------|
| O-LEE-04UNF | 9/16x18 | 7/16x20 | 23 | 30 | 14 | 17 | 8JS-04 | 7.65x1.78 | 9.17x1.83 |
| O-LEE-04-04-06UNF | 9/16x18 | 9/16x18 | 23 | 32 | 14 | 19 | 8JS-06 | 7.65x1.78 | 11.89x1.98 |
| O-LEE-06UNF | 11/16x16 | 9/16x18 | 27.5 | 35.5 | 19 | 19 | 8JS-06 | 9.25x1.78 | 11.89x1.98 |
| O-LEE-06-06-08UNF | 11/16x16 | 3/4x16 | 27.5 | 38 | 19 | 24 | 8JS-12 | 9.25x1.78 | 16.36x2.21 |
| O-LEE-08-08-06UNF | 13/16x16 | 9/16x18 | 31 | 37.5 | 22 | 19 | 8JS-06 | 12.42x1.78 | 11.89x1.98 |
| O-LEE-08UNF | 13/16x16 | 3/4x16 | 31 | 40.5 | 22 | 24 | 8JS-08 | 12.42x1.78 | 16.36x2.21 |
| O-LEE-08-08-10UNF | 13/16x16 | 7/8x14 | 31 | 45.3 | 22 | 27 | 8JS-10 | 12.42x1.78 | 19.18x2.46 |
| O-LEE-08-08-12UNF | 13/16x16 | 1 1/16x12 | 34.5 | 54 | 27 | 32 | 8JS-12 | 12.42x1.78 | 23.47x2.95 |
| O-LEE-10UNF | 1x14 | 7/8x14 | 36.5 | 50.8 | 27 | 27 | 8JS-10 | 15.6x1.78 | 19.18x2.46 |
| O-LEE-10-10-12UNF | 1x14 | 1 1/16x12 | 36.5 | 52 | 27 | 32 | 8JS-12 | 15.6x1.78 | 23.47x2.95 |
| O-LEE-12UNF | 1 3/16x12 | 1 1/16x12 | 40.3 | 55.3 | 30 | 32 | 8JS-12 | 18.77x1.78 | 23.47x2.95 |
| O-LEE-16-16-12UNF | 1 7/16x12 | 1 1/16x12 | 44.5 | 59.5 | 36 | 32 | 8JS-12 | 23.52x1.78 | 23.47x2.95 |
| O-LEE-16UNF | 1 7/16x12 | 1 5/16x12 | 44.5 | 59.3 | 36 | 41 | 8JS-16 | 23.52x1.78 | 29.74x2.95 |
| O-LEE-20UNF | 1 11/16x12 | 1 5/8x12 | 47.5 | 60.5 | 41 | 50 | 8JS-20 | 29.87x1.78 | 37.47x3 |
| O-LEE-24UNF | 2x12 | 1 7/8x12 | 53.5 | 68.5 | 50 | 55 | 8JS-24 | 37.82x1.78 | 43.69x3 |

American ORFS male thread O-ring flat seal American SAE outer thread O-ring seal heavy series branch tee

Characteristics

Structure type: Thread-Threaded connection
Structure form: Tee
Connection 1, 3: American ORFS thread
Sealing form: O-ring flat seal
Connection 2: American male thread
Sealing form: O-ring seal
Supply form: Connector body
Standard: ISO8434-3

Material: Carbon steel · Stainless steel · Copper
Surface protection:
Trivalent chromium environmental protection zinc layer
Description:
For instructions on assembly, embedding,
and pressure load as well as allowable
operating temperature, please refer to the
technical information for fastening sleeve bolts



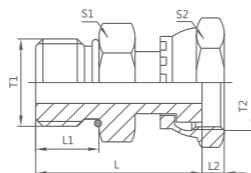
| Drawing No. | T1 | T2 | T3 | L1 | L2 | L3 | S1 | S2 | T1, T3end O-ring | T2end O-ring | Flat nut |
|-------------------|------------|-----------|------------|------|------|------|----|----|------------------|--------------|----------|
| O-TEE-04UNF | 9/16x18 | 7/16x20 | 9/16x18 | 23 | 30.3 | 23 | 14 | 17 | 7.65x1.78 | 9.17x1.83 | 8JS-04 |
| O-TEE-04-06-04UNF | 9/16x18 | 9/16x18 | 9/16x18 | 23 | 32 | 23 | 14 | 19 | 7.65x1.78 | 11.89x1.98 | 8JS-06 |
| O-TEE-06UNF | 11/16x16 | 9/16x18 | 11/16x16 | 27.5 | 35.5 | 27.5 | 19 | 19 | 9.25x1.78 | 11.89x1.98 | 8JS-06 |
| O-TEE-06-08-06UNF | 11/16x16 | 3/4x16 | 11/16x16 | 27 | 38 | 27 | 19 | 24 | 9.25x1.78 | 16.36x2.21 | 8JS-08 |
| O-TEE-08UNF | 13/16x16 | 3/4x16 | 13/16x16 | 31 | 40.5 | 31 | 22 | 24 | 12.42x1.78 | 16.36x2.21 | 8JS-08 |
| O-TEE-08-10-08UNF | 13/16x16 | 7/8x14 | 13/16x16 | 31 | 45.3 | 31 | 22 | 27 | 12.42x1.78 | 19.18x2.46 | 8JS-10 |
| O-TEE-08-12-08UNF | 13/16x16 | 1 1/16x12 | 13/16x16 | 34.5 | 54 | 34.5 | 27 | 32 | 12.42x1.78 | 23.47x2.95 | 8JS-12 |
| O-TEE-10UNF | 1x14 | 7/8x14 | 1x14 | 36.5 | 50.8 | 36.5 | 27 | 27 | 15.6x1.78 | 19.18x2.46 | 8JS-10 |
| O-TEE-10-12-10UNF | 1x14 | 1 1/16x12 | 1x14 | 36.5 | 52 | 36.5 | 27 | 32 | 15.6x1.78 | 23.47x2.95 | 8JS-12 |
| O-TEE-12UNF | 1 3/16x12 | 1 1/16x12 | 1 3/16x12 | 40.3 | 55.3 | 40.3 | 30 | 32 | 18.77x1.78 | 23.47x2.95 | 8JS-12 |
| O-TEE-16UNF | 1 7/16x12 | 1 5/16x12 | 1 7/16x12 | 41.5 | 59.3 | 41.5 | 36 | 41 | 23.52x1.78 | 29.74x2.95 | 8JS-16 |
| O-TEE-20UNF | 1 11/16x12 | 1 5/8x12 | 1 11/16x12 | 47.5 | 60.5 | 47.5 | 41 | 50 | 29.87x1.78 | 37.47x3 | 8JS-20 |
| O-TEE-24UNF | 2x12 | 1 7/8x12 | 2x12 | 53.5 | 68 | 53.5 | 50 | 55 | 37.82x1.78 | 43.69x3 | 8JS-24 |

American SAE male thread O-ring seal heavy series ORFS female thread

Characteristics

Structure type: Thread-Threaded connection
 Structure form: Through
 Connection 1: American thread
 Sealing form: O-ring seal
 Connection 2: American ORFS female thread
 Sealing form: Plane seal
 Supply form: Connector body
 Standard: ISO11926-2/ISO8434-3

Material: Carbon steel · Stainless steel · Copper
 Surface protection:
 Trivalent chromium environmental protection zinc layer
 Description:
 For instructions on assembly, embedding,
 and pressure load as well as allowable
 operating temperature, please refer to the
 technical information for fastening sleeve bolts



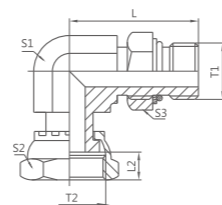
| Drawing No. | T1 | T2 | L | L1 | L2 | S1 | S2 | O-ring |
|---------------|-----------|------------|------|------|------|----|----|------------|
| O-EG-04UNF | 7/16x20 | 9/16x18 | 32.5 | 11 | 8.5 | 17 | 19 | 9.17x1.83 |
| O-EG-04-06UNF | 7/16x20 | 11/16x16 | 35.5 | 11 | 10 | 17 | 22 | 9.17x1.83 |
| O-EG-06-04UNF | 9/16x18 | 9/16x18 | 33.5 | 12 | 8.5 | 17 | 19 | 11.89x1.98 |
| O-EG-06UNF | 9/16x18 | 11/16x16 | 36.5 | 12 | 10 | 19 | 22 | 11.89x1.98 |
| O-EG-06-08UNF | 9/16x18 | 13/16x16 | 38.5 | 12 | 11 | 19 | 27 | 11.89x1.98 |
| O-EG-08-06UNF | 3/4x16 | 11/16x16 | 40.5 | 14 | 10 | 22 | 22 | 16.36x2.21 |
| O-EG-08UNF | 3/4x16 | 13/16x16 | 42.5 | 14 | 11 | 22 | 27 | 16.36x2.21 |
| O-EG-10-08UNF | 7/8x14 | 13/16x16 | 46.5 | 16 | 11 | 27 | 27 | 19.18x2.46 |
| O-EG-10UNF | 7/8x14 | 1x14 | 50.5 | 16 | 13.5 | 27 | 30 | 19.18x2.46 |
| O-EG-12-10UNF | 1 1/16x12 | 1x14 | 54 | 18.5 | 13.5 | 32 | 30 | 23.47x2.95 |
| O-EG-12UNF | 1 1/16x12 | 1 3/16x12 | 56 | 18.5 | 15 | 32 | 36 | 23.47x2.95 |
| O-EG-16-12UNF | 1 5/16x12 | 1 3/16x12 | 55.5 | 18.5 | 15 | 38 | 36 | 29.74x2.95 |
| O-EG-16UNF | 1 5/16x12 | 1 7/16x12 | 57.5 | 18.5 | 15 | 38 | 41 | 29.74x2.95 |
| O-EG-20-16UNF | 1 5/8x12 | 1 7/16x12 | 61.5 | 18.5 | 15 | 50 | 41 | 37.47x3 |
| O-EG-20UNF | 1 5/8x12 | 1 11/16x12 | 65 | 18.5 | 15 | 50 | 50 | 37.47x3 |
| O-EG-24UNF | 1 7/8x12 | 2x12 | 65 | 18.5 | 16 | 55 | 60 | 46.39x3 |

90° Bend American SAE male thread O-ring seal heavy series / ORFS female thread

Characteristics

Structure type: Thread-Threaded connection
 Structure form: Right
 Connection 1: American thread
 Sealing form: O-ring seal
 Connection 2: American ORFS female thread
 Sealing form: Plane seal
 Supply form: Connector body
 Standard: ISO8434-3/ISO11926-2

Material: Carbon steel · Stainless steel · Copper
 Surface protection:
 Trivalent chromium environmental protection zinc layer
 Description:
 For instructions on assembly, embedding,
 and pressure load as well as allowable
 operating temperature, please refer to the
 technical information for fastening sleeve bolts



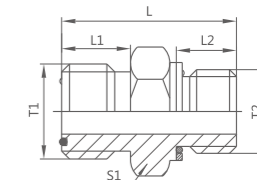
| Drawing No. | T1 | T2 | L | L2 | S1 | S2 | S3 | Flat nut | O-ring |
|-------------|-----------|------------|------|------|----|----|----|----------|------------|
| O-EW-04UNF | 7/16x20 | 9/16x18 | 30.5 | 8.5 | 14 | 19 | 19 | 8JS-04 | 9.17x1.83 |
| O-EW-06UNF | 9/16x18 | 11/16x16 | 34.5 | 10 | 16 | 22 | 22 | 8JS-06 | 11.89x1.98 |
| O-EW-08UNF | 3/4x16 | 13/16x16 | 37.5 | 11 | 19 | 27 | 27 | 8JS-08 | 16.36x2.21 |
| O-EW-10UNF | 7/8x14 | 1x14 | 45.2 | 13.5 | 22 | 30 | 30 | 8JS-10 | 19.18x1.98 |
| O-EW-12UNF | 1 1/16x12 | 1 3/16x12 | 52 | 15 | 27 | 36 | 36 | 8JS-12 | 23.47x2.95 |
| O-EW-16UNF | 1 5/16x12 | 1 7/16x12 | 56 | 15 | 33 | 41 | 41 | 8JS-16 | 29.74x2.95 |
| O-EW-20UNF | 1 5/8x12 | 1 11/16x12 | 59 | 15 | 41 | 50 | 50 | 8JS-20 | 37.47x3 |
| O-EW-24UNF | 1 7/8x12 | 2x12 | 63 | 16 | 48 | 55 | 60 | 8JS-24 | 46.39x3 |

American ORFS male thread O-ring flat seal / British pipe thread O-ring

Characteristics

Structure type: Thread-Threaded connection
 Structure form: Through
 Connection 1: American ORFS thread
 Sealing form: O-ring flat seal
 Connection 2: Britain pipe thread
 Sealing form: O-ring seal
 Supply form: Connector body
 Standard: ISO8434-3/JIS8363/ISO1179-3

Material: Carbon steel · Stainless steel · Copper
 Surface protection:
 Trivalent chromium environmental protection zinc layer
 Description:
 For instructions on assembly, embedding,
 and pressure load as well as allowable
 operating temperature, please refer to the
 technical information for fastening sleeve bolts



| Drawing No. | T1 | T2 | L | L1 | L2 | S1 | T1end O-ring |
|-------------|------------|-----------|------|------|------|----|--------------|
| O-GE-04-02G | 9/16x18 | G1/8x28 | 27.5 | 10 | 9.5 | 17 | 7.65x1.78 |
| O-GE-04G | 9/16x18 | G1/4x19 | 29 | 10 | 10 | 19 | 7.65x1.78 |
| O-GE-04-06G | 9/16x18 | G3/8x19 | 31 | 10 | 11.5 | 22 | 7.65x1.78 |
| O-GE-06G | 11/16x16 | G3/8x19 | 32.5 | 11.2 | 11.5 | 22 | 9.25x1.78 |
| O-GE-06-04G | 11/16x16 | G1/4x19 | 31 | 11.2 | 10 | 19 | 9.25x1.78 |
| O-GE-06-08G | 11/16x16 | G1/2x14 | 36.5 | 11.2 | 14 | 27 | 9.25x1.78 |
| O-GE-08G | 13/16x16 | G1/2x14 | 38.5 | 13 | 14 | 27 | 12.42x1.78 |
| O-GE-08-06G | 13/16x16 | G3/8x19 | 34.3 | 13 | 11.5 | 22 | 12.42x1.78 |
| O-GE-08-12G | 13/16x16 | G3/4x14 | 42 | 13 | 15.5 | 32 | 12.42x1.78 |
| O-GE-10-08G | 1x14 | G1/2x14 | 41 | 15.5 | 14 | 27 | 15.6x1.78 |
| O-GE-10-12G | 1x14 | G3/4x14 | 44 | 15.5 | 15.5 | 32 | 15.6x1.78 |
| O-GE-12-08G | 1 3/16x12 | G1/2x14 | 44 | 17 | 14 | 32 | 18.77x1.78 |
| O-GE-12G | 1 3/16x12 | G3/4x14 | 45.6 | 17 | 15.5 | 32 | 18.77x1.78 |
| O-GE-12-16G | 1 3/16x12 | G1x11 | 48 | 17 | 18 | 41 | 18.77x1.78 |
| O-GE-16-12G | 1 7/16x12 | G3/4x14 | 48 | 17.5 | 15.5 | 38 | 23.52x1.78 |
| O-GE-16G | 1 7/16x12 | G1x11 | 49.5 | 17.5 | 18 | 41 | 23.52x1.78 |
| O-GE-20G | 1 11/16x12 | G1 1/4x11 | 55.5 | 17.5 | 20 | 50 | 29.87x1.78 |
| O-GE-20-16G | 1 11/16x12 | G1x11 | 51.5 | 17.5 | 18 | 46 | 29.87x1.78 |
| O-GE-24G | 2x12 | G1 1/2x11 | 57 | 17.5 | 21.5 | 55 | 37.82x1.78 |

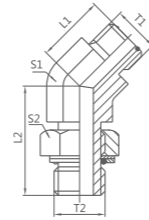
Remarks: For flat seal, add the letter "P" after the drawing number

45° Bend American ORFS male thread O-ring flat seal / Britain pipe thread O-ring

Characteristics

Structure type: Thread-Threaded connection
 Structure form: 45° Bevel
 Connection 1: American ORFS thread
 Sealing form: O-ring flat seal
 Connection 2: Britain pipe male thread
 Sealing form: O-ring seal
 Supply form: Connector body
 Standard: ISO8434-3/ISO1179-3

Material: Carbon steel · Stainless steel · Copper
 Surface protection:
 Trivalent chromium environmental protection zinc layer
 Description:
 For instructions on assembly, embedding, and pressure load as well as allowable operating temperature, please refer to the technical information for fastening sleeve bolts



| Drawing No. | T1 | T2 | L1 | L2 | S1 | S2 | T1end O-ring | Flat nut |
|--------------|------------|-----------|------|------|----|----|--------------|----------|
| O-VEE-04G | 9/16x18 | G1/4x19 | 18.3 | 27 | 14 | 19 | 7.65x1.78 | 8B-04 |
| O-VEE-04-02G | 9/16x18 | G1/8x28 | 18.3 | 24.8 | 14 | 14 | 7.65x1.78 | 8B-02 |
| O-VEE-04-06G | 9/16x18 | G3/8x19 | 18 | 30 | 16 | 22 | 7.65x1.78 | 8B-06 |
| O-VEE-06G | 11/16x16 | G3/8x19 | 20.5 | 31 | 19 | 22 | 9.25x1.78 | 8B-06 |
| O-VEE-06-04G | 11/16x16 | G1/4x19 | 20.5 | 28 | 19 | 19 | 9.25x1.78 | 8B-04 |
| O-VEE-06-08G | 11/16x16 | G1/2x14 | 22 | 36 | 22 | 27 | 9.25x1.78 | 8B-08 |
| O-VEE-08G | 13/16x16 | G1/2x14 | 24 | 36 | 22 | 27 | 12.42x1.78 | 8B-08 |
| O-VEE-08-06G | 13/16x16 | G3/8x19 | 24 | 32 | 22 | 22 | 12.42x1.78 | 8B-06 |
| O-VEE-10-08G | 1x14 | G1/2x14 | 28 | 37.5 | 27 | 27 | 15.6x1.78 | 8B-08 |
| O-VEE-10-12G | 1x14 | G3/4x14 | 28 | 42 | 27 | 32 | 15.6x1.78 | 8B-12 |
| O-VEE-12G | 1 3/16x12 | G3/4x14 | 30.7 | 42.5 | 30 | 32 | 18.77x1.78 | 8B-12 |
| O-VEE-12-08G | 1 3/16x12 | G1/2x14 | 30.7 | 38.5 | 30 | 27 | 18.77x1.78 | 8B-08 |
| O-VEE-12-16G | 1 3/16x12 | G1x11 | 31.5 | 44 | 33 | 41 | 18.77x1.78 | 8B-16 |
| O-VEE-16G | 1 7/16x12 | G1x11 | 33 | 44.5 | 36 | 41 | 23.52x1.78 | 8B-16 |
| O-VEE-16-12G | 1 7/16x12 | G3/4x14 | 33 | 44.5 | 36 | 32 | 23.52x1.78 | 8B-12 |
| O-VEE-20G | 1 11/16x12 | G1 1/4x11 | 35.5 | 47.5 | 41 | 50 | 29.87x1.78 | 8B-20 |

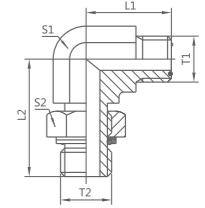
Remarks: For flat seal, add the letter "P" after the drawing number

90° Bend American ORFS male thread O-ring flat seal / Britain pipe male thread O-ring

Characteristics

Structure type: Thread-Threaded connection
 Structure form: Right
 Connection 1: American ORFS thread
 Sealing form: O-ring flat seal
 Connection 2: Britain pipe male thread
 Sealing form: O-ring seal
 Supply form: Connector body
 Standard: ISO8434-3

Material: Carbon steel · Stainless steel · Copper
 Surface protection:
 Trivalent chromium environmental protection zinc layer
 Description:
 For instructions on assembly, embedding, and pressure load as well as allowable operating temperature, please refer to the technical information for fastening sleeve bolts



| Drawing No. | T1 | T2 | L1 | L2 | S1 | S2 | T1end O-ring | Flat nut |
|--------------|------------|-----------|------|------|----|----|--------------|----------|
| O-WEE-04-02G | 9/16x18 | G1/8x28 | 23 | 229 | 14 | 14 | 7.65x1.78 | 8B-02 |
| O-WEE-04G | 9/16x18 | G1/4x19 | 23 | 31.3 | 14 | 19 | 7.65x1.78 | 8B-04 |
| O-WEE-04-06G | 9/16x18 | G3/8x19 | 24 | 35.8 | 16 | 22 | 7.65x1.78 | 8B-06 |
| O-WEE-06-04G | 11/16x16 | G1/4x19 | 27 | 33.5 | 19 | 19 | 9.25x1.78 | 8B-04 |
| O-WEE-06G | 11/16x16 | G3/8x19 | 27 | 36.8 | 19 | 22 | 9.25x1.78 | 8B-06 |
| O-WEE-06-08G | 11/16x16 | G1/2x14 | 29 | 43.2 | 22 | 27 | 9.25x1.78 | 8B-08 |
| O-WEE-08-06G | 13/16x16 | G3/8x19 | 31 | 39.5 | 22 | 22 | 12.42x1.78 | 8B-06 |
| O-WEE-08G | 13/16x16 | G1/2x14 | 31 | 43.2 | 22 | 27 | 12.42x1.78 | 8B-08 |
| O-WEE-10-08G | 1x14 | G1/2x14 | 36.5 | 46.5 | 27 | 27 | 15.6x1.78 | 8B-08 |
| O-WEE-10-12G | 1x14 | G3/4x14 | 36.5 | 49.3 | 27 | 32 | 15.6x1.78 | 8B-12 |
| O-WEE-12-08G | 1 3/16x12 | G1/2x14 | 40.3 | 47.5 | 30 | 27 | 18.77x1.78 | 8B-10 |
| O-WEE-12G | 1 3/16x12 | G3/4x14 | 40.3 | 52 | 30 | 32 | 18.77x1.78 | 8B-12 |
| O-WEE-12-16G | 1 3/16x12 | G1x11 | 42.5 | 53 | 33 | 41 | 18.77x1.78 | 8B-16 |
| O-WEE-16-12G | 1 7/16x12 | G3/4x14 | 44.5 | 56 | 36 | 32 | 23.52x1.78 | 8B-12 |
| O-WEE-16G | 1 7/16x12 | G1x11 | 44.5 | 56 | 36 | 41 | 23.52x1.78 | 8B-16 |
| O-WEE-20-16G | 1 11/16x12 | G1x11 | 47.5 | 60 | 41 | 41 | 29.87x1.78 | 8B-16 |
| O-WEE-20G | 1 11/16x12 | G1 1/4x11 | 47.5 | 60 | 41 | 50 | 29.87x1.78 | 8B-20 |
| O-WEE-24G | 2x12 | G1 1/2x11 | 65.5 | 65.5 | 50 | 55 | 37.82x1.78 | 8B-24 |

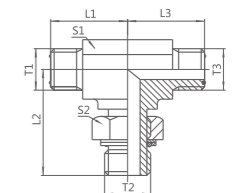
Remarks: For flat seal, add the letter "P" after the drawing number

American ORFS male thread O-ring flat seal / British pipe male thread O-ring branch tee

Characteristics

Structure type: Thread-Threaded connection
 Structure form: Tee
 Connection 1, 3: American ORFS thread
 Sealing form: O-ring flat seal
 Connection 2: Britain pipe male thread
 Sealing form: O-ring seal
 Supply form: Connector body
 Standard: ISO8434-3/JIS8363/ISO1179-3

Material: Carbon steel · Stainless steel · Copper
 Surface protection:
 Trivalent chromium environmental protection zinc layer
 Description:
 For instructions on assembly, embedding, and pressure load as well as allowable operating temperature, please refer to the technical information for fastening sleeve bolts



| Drawing No. | T1 | T2 | T3 | L1 | L2 | L3 | S1 | S2 | T1, T3end O-ring | Flat nut |
|-----------------|-----------|---------|-----------|------|------|------|----|----|------------------|----------|
| O-TEE-04G | 9/16x18 | G1/4x19 | 9/16x18 | 23 | 31.3 | 23 | 14 | 19 | 7.65x1.78 | 8B-04 |
| O-TEE-04-06-04G | 9/16x18 | G3/8x19 | 9/16x18 | 23.5 | 35.5 | 23.5 | 16 | 22 | 7.65x1.78 | 8B-06 |
| O-TEE-06G | 11/16x16 | G3/8x19 | 11/16x16 | 27.5 | 36.8 | 27.5 | 19 | 22 | 9.25x1.78 | 8B-06 |
| O-TEE-08-06-08G | 13/16x16 | G3/8x19 | 13/16x16 | 31 | 39.5 | 31 | 22 | 27 | 12.42x1.78 | 8B-06 |
| O-TEE-08G | 13/16x16 | G1/2x14 | 13/16x16 | 31 | 43.2 | 31 | 22 | 27 | 12.42x1.78 | 8B-08 |
| O-TEE-10-12-10G | 1x14 | G3/4x14 | 1x14 | 36.5 | 49.3 | 36.5 | 27 | 32 | 15.6x1.78 | 8B-12 |
| O-TEE-12G | 1 3/16x12 | G3/4x14 | 1 3/16x12 | 41.5 | 53.5 | 41.5 | 30 | 32 | 18.77x1.78 | 8B-12 |
| O-TEE-16G | 1 7/16x12 | G1x14 | 1 7/16x12 | 44.5 | 56 | 44.5 | 36 | 41 | 23.52x1.78 | 8B-16 |

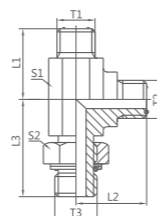
Remarks: For flat seal, add the letter "P" after the drawing number

American ORFS male thread O-ring flat seal /
British pipe male thread O-ring main branch tee

Characteristics

Structure type: Thread-Threaded connection
Structure form: Tee
Connection 1, 2: American ORFS thread
Sealing form: O-ring flat seal
Connection 3: Britain pipe male thread
Sealing form: O-ring seal
Supply form: Connector body
Standard: ISO8434-3/ISO1179-3

Material: Carbon steel · Stainless steel · Copper
Surface protection:
Trivalent chromium environmental protection zinc layer
Description:
For instructions on assembly, embedding,
and pressure load as well as allowable
operating temperature, please refer to the
technical information for fastening sleeve bolts



| Drawing No. | T1, T2 | T3 | L1,L2 | L3 | S1 | S2 | T1, T2end O-ring | Flat nut |
|-----------------|-----------|---------|-------|------|----|----|------------------|----------|
| O-LEE-04G | 9/16x18 | G1/4x19 | 23 | 31.3 | 14 | 19 | 7.65x1.78 | 8B-04 |
| O-LEE-04-04-06G | 9/16x18 | G3/8x19 | 23.5 | 35.5 | 16 | 22 | 7.65x1.78 | 8B-06 |
| O-LEE-06-06-04G | 11/16x16 | G1/4x19 | 27 | 33.5 | 19 | 19 | 9.25x1.78 | 8B-04 |
| O-LEE-06G | 11/16x16 | G3/8x19 | 27.5 | 36.8 | 19 | 22 | 9.25x1.78 | 8B-06 |
| O-LEE-08-08-06G | 13/16x16 | G3/8x19 | 31 | 39.8 | 22 | 22 | 12.42x1.78 | 8B-06 |
| O-LEE-08G | 13/16x16 | G1/2x14 | 31 | 43.2 | 22 | 27 | 12.42x1.78 | 8B-08 |
| O-LEE-10-10-12G | 1x14 | G3/4x14 | 36.5 | 49.3 | 27 | 32 | 15.6x1.78 | 8B-12 |
| O-LEE-12G | 1 3/16x12 | G3/4x14 | 41.5 | 53.5 | 30 | 32 | 18.77x1.78 | 8B-12 |
| O-LEE-16G | 1 7/16x12 | G1x14 | 44.5 | 56 | 36 | 41 | 23.52x1.78 | 8B-16 |

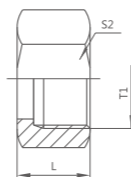
Remarks: For flat seal, add the letter "P" after the drawing number

American ORFS nut

Characteristics

Structure type: Thread-Threaded connection
Structure form: Nut
Connection 1: American ORFS thread
Sealing form: Thread seal
Supply form: Connector body
Standard: ISO8434-3

Material: Carbon steel · Stainless steel · Copper
Surface protection:
Trivalent chromium environmental protection zinc layer
Description:
For instructions on assembly, embedding,
and pressure load as well as allowable
operating temperature, please refer to the
technical information for fastening sleeve bolts



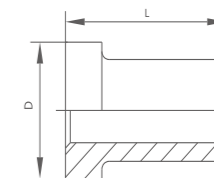
| Drawing No. | T1 | British system pipe bushing | | Metric pipe bushing | | L | S2 |
|-------------|------------|-----------------------------|------------------------|------------------------|------------------------|------|----|
| | | Outer diameter of pipe | Pipe bushing Code name | Outer diameter of pipe | Pipe bushing Code name | | |
| O-M-04 | 9/16x18 | 1/4" | O-GT-04G | 6 | O-GT-04 | 14.7 | 19 |
| O-M-06 | 11/16x16 | 3/8" | O-GT-06G | 10 | O-GT-06 | 17 | 22 |
| O-M-08 | 13/16x16 | 1/2" | O-GT-08G | 12 | O-GT-08 | 21 | 27 |
| O-M-10 | 1x14 | 5/8" | O-GT-10G | 16 | O-GT-10 | 23.5 | 30 |
| O-M-12 | 1 3/16x12 | 3/4" | O-GT-12G | 20 | O-GT-12 | 26 | 36 |
| O-M-16 | 1 7/16x12 | 1" | O-GT-16G | 25 | O-GT-16 | 27.8 | 41 |
| O-M-20 | 1 11/16x12 | 1 1/4" | O-GT-20G | 30 | O-GT-20 | 27.8 | 50 |
| O-M-24 | 2x12 | 1 1/2" | O-GT-24G | 38 | O-GT-24 | 27.8 | 60 |

American ORFS metric pipe bushing

Characteristics

Structure type: Sleeve nut
Structure form: Through
Connection 1: American ORFS thread
Sealing form: Thread seal
Supply form: Connector body
Standard: ISO8434-3

Material: Carbon steel · Stainless steel · Copper
Surface protection:
Trivalent chromium environmental protection zinc layer
Description:
For instructions on assembly, embedding,
and pressure load as well as allowable
operating temperature, please refer to the
technical information for fastening sleeve bolts



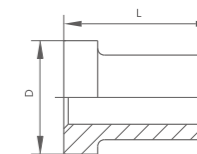
| Drawing No. | T1 | Outer diameter of pipe | D | L |
|-------------|------------|------------------------|------|------|
| O-GT-04M | 9/16x18 | 6 | 12.8 | 8.5 |
| O-GT-06M | 11/16x16 | 10 | 15.8 | 8.5 |
| O-GT-08M | 13/16x16 | 12 | 18.9 | 8.5 |
| O-GT-10M | 1x14 | 16 | 23.4 | 9 |
| O-GT-12M | 1 3/16x12 | 20 | 27.9 | 12.5 |
| O-GT-16M | 1 7/16x12 | 25 | 34.2 | 14 |
| O-GT-20M | 1 11/16x12 | 30 | 40.6 | 14 |
| O-GT-24M | 2x12 | 38 | 48.5 | 14 |

American ORFS British pipe bushing

Characteristics

Structure type: Sleeve nut
Structure form: Through
Connection 1: American ORFS thread
Sealing form: Flat seal
Supply form: Connector body
Standard: ISO8434-3

Material: Carbon steel · Stainless steel · Copper
Surface protection:
Trivalent chromium environmental protection zinc layer
Description:
For instructions on assembly, embedding,
and pressure load as well as allowable
operating temperature, please refer to the
technical information for fastening sleeve bolts



| Drawing No. | T1 | Outer diameter of pipe | D | L |
|-------------|------------|------------------------|------|------|
| O-GT-04G | 9/16x18 | 1/4" | 12.8 | 8.5 |
| O-GT-06G | 11/16x16 | 3/8" | 15.8 | 8.5 |
| O-GT-08G | 13/16x16 | 1/2" | 18.9 | 8.5 |
| O-GT-10G | 1x14 | 5/8" | 23.4 | 9 |
| O-GT-12G | 1 3/16x12 | 3/4" | 27.9 | 12.5 |
| O-GT-16G | 1 7/16x12 | 1" | 34.2 | 14 |
| O-GT-20G | 1 11/16x12 | 1 1/4" | 40.6 | 14 |
| O-GT-24G | 2x12 | 1 1/2" | 48.5 | 14 |

British taper pipe thread BSPT joint

223/229

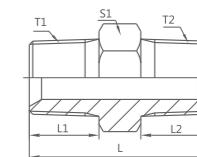
| | | | | | | |
|------------------------------------|------------------------------------|------------------------------------|-----------------------------------|-----------------------------------|------------------------------------|--------------------------------|
| <p>S1T-SP</p> <p>P/223</p> | <p>S4TN</p> <p>P/224</p> | <p>S1T9-SP</p> <p>P/224</p> | <p>S4T-SP</p> <p>P/225</p> | <p>S5T-SP</p> <p>P/226</p> | <p>S5T9-SP</p> <p>P/227</p> | <p>S7T</p> <p>P/227</p> |
| <p>S7T9-PK</p> <p>P/228</p> | <p>S6T9-PK</p> <p>P/228</p> | <p>S2T</p> <p>P/229</p> | <p>S5GT</p> <p>P/229</p> | | | |

British taper pipe male thread

Characteristics

Structure type: Thread-Threaded connection
 Structure form: Through
 Connection 1: British taper pipe male thread
 Sealing form: Thread seal
 Connection 1: British taper pipe male thread
 Sealing form: Thread seal
 Supply form: Connector body
 Standard: ISO7

Material: Carbon steel · Stainless steel · Copper
 Surface protection:
 Trivalent chromium environmental protection zinc layer
 Description:
 For instructions on assembly, embedding,
 and pressure load as well as allowable
 operating temperature, please refer to the
 technical information for fastening sleeve bolts



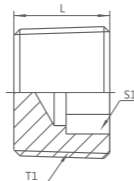
| Drawing No. | T1 | T2 | L | L1 | L2 | S1 |
|-------------|-----------|-----------|------|------|------|----|
| S1T-02SP | R1/8x28 | R1/8x28 | 26 | 10 | 10 | 12 |
| S1T-02-04SP | R1/8x28 | R1/4x19 | 30.5 | 10 | 14.5 | 14 |
| S1T-02-06SP | R1/8x28 | R3/8x19 | 31 | 10 | 15 | 17 |
| S1T-04SP | R1/4x19 | R1/4x19 | 34 | 14.5 | 14.5 | 14 |
| S1T-04-06SP | R1/4x19 | R3/8x19 | 35 | 14.5 | 15 | 17 |
| S1T-04-08SP | R1/4x19 | R1/2x14 | 43 | 15 | 20 | 22 |
| S1T-06SP | R3/8x19 | R3/8x19 | 36 | 15 | 15 | 17 |
| S1T-06-08SP | R3/8x19 | R1/2x14 | 43 | 15 | 20 | 22 |
| S1T-08SP | R1/2x14 | R1/2x14 | 46 | 20 | 20 | 22 |
| S1T-08-12SP | R1/2x14 | R3/4x14 | 48 | 20 | 20 | 27 |
| S1T-12SP | R3/4x14 | R3/4x14 | 48 | 20 | 20 | 27 |
| S1T-12-16SP | R3/4x14 | R1x11 | 55.5 | 20 | 25.5 | 36 |
| S1T-16SP | R1x11 | R1x11 | 61 | 25.5 | 25.5 | 36 |
| S1T-16-20SP | R1x11 | R1 1/4x11 | 64.5 | 25.5 | 26.5 | 46 |
| S1T-20SP | R1 1/4x11 | R1 1/4x11 | 65.5 | 26.5 | 26.5 | 46 |
| S1T-20-24SP | R1 1/4x11 | R1 1/2x11 | 67 | 26.5 | 26.5 | 50 |
| S1T-24SP | R1 1/2x11 | R1 1/2x11 | 67 | 26.5 | 26.5 | 50 |
| S1T-24-32SP | R1 1/2x11 | R2x11 | 71.5 | 26.5 | 30 | 65 |
| S1T-32SP | R2x11 | R2x11 | 75 | 30 | 30 | 65 |

British taper pipe female thread hex plug

Characteristics

Structure type: Threaded connection
 Structure form: Plug
 Connection 1: British taper pipe male thread
 Sealing form: Thread seal
 Supply form: Connector body
 Standard: ISO7

Material: Carbon steel · Stainless steel · Copper
 Surface protection:
 Trivalent chromium environmental protection zinc layer
 Description:
 For instructions on assembly, embedding,
 and pressure load as well as allowable
 operating temperature, please refer to the
 technical information for fastening sleeve bolts



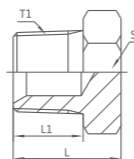
| Drawing No. | T1 | L | S1 |
|-------------|-----------|----|----|
| S4TN-02SP | R1/8x28 | 8 | 5 |
| S4TN-04SP | R1/4x19 | 10 | 6 |
| S4TN-06SP | R3/8x19 | 12 | 8 |
| S4TN-08SP | R1/2x14 | 15 | 10 |
| S4TN-12SP | R3/4x14 | 18 | 12 |
| S4TN-16SP | R1x11 | 20 | 17 |
| S4TN-20SP | R1 1/4x11 | 22 | 22 |

British taper pipe male thread plug

Characteristics

Structure type: Threaded connection
 Structure form: Plug
 Connection 1: British taper pipe male thread
 Sealing form: Thread seal
 Supply form: Connector body
 Standard: ISO7

Material: Carbon steel · Stainless steel · Copper
 Surface protection:
 Trivalent chromium environmental protection zinc layer
 Description:
 For instructions on assembly, embedding,
 and pressure load as well as allowable
 operating temperature, please refer to the
 technical information for fastening sleeve bolts



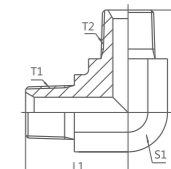
| Drawing No. | T1 | L | L1 | S1 |
|-------------|-----------|------|------|----|
| S4T-02SP | R1/8x28 | 16 | 10 | 12 |
| S4T-04SP | R1/4x19 | 20 | 14.5 | 14 |
| S4T-06SP | R3/8x19 | 21 | 15 | 17 |
| S4T-08SP | R1/2x14 | 27 | 20 | 22 |
| S4T-12SP | R3/4x14 | 29 | 20 | 27 |
| S4T-16SP | R1x11 | 36.5 | 25.5 | 36 |
| S4T-20SP | R1 1/4x11 | 38.5 | 26.5 | 46 |
| S4T-24SP | R1 1/2x11 | 42 | 26.5 | 50 |
| S4T-32SP | R2x11 | 47 | 30 | 65 |

90° Bend British taper pipe male thread

Characteristics

Structure type: Thread-Threaded connection
 Structure form: Right
 Connection 1: British taper pipe male thread
 Sealing form: Thread seal
 Supply form: Connector body
 Standard: ISO7

Material: Carbon steel · Stainless steel · Copper
 Surface protection:
 Trivalent chromium environmental protection zinc layer
 Description:
 For instructions on assembly, embedding,
 and pressure load as well as allowable
 operating temperature, please refer to the
 technical information for fastening sleeve bolts



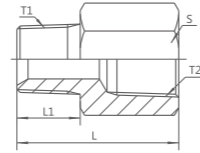
| Drawing No. | T1 | T2 | L1 | L2 | S1 |
|--------------|-----------|-----------|------|------|----|
| S1T9-02SP | R1/8x28 | R1/8x28 | 21 | 21 | 11 |
| S1T9-02-04SP | R1/8x28 | R1/4x19 | 23.5 | 25.5 | 14 |
| S1T9-04SP | R1/4x19 | R1/4x19 | 25.5 | 25.5 | 14 |
| S1T9-04-06SP | R1/4x19 | R3/8x19 | 26.5 | 28.5 | 16 |
| S1T9-04-08SP | R1/4x19 | R1/2x14 | 30.5 | 36 | 22 |
| S1T9-06SP | R3/8x19 | R3/8x19 | 28.5 | 28.5 | 16 |
| S1T9-06-08SP | R3/8x19 | R1/2x14 | 32.5 | 36 | 22 |
| S1T9-08SP | R1/2x14 | R1/2x14 | 36 | 36 | 22 |
| S1T9-08-12SP | R1/2x14 | R3/4x14 | 39.5 | 43.5 | 27 |
| S1T9-12SP | R3/4x14 | R3/4x14 | 43.5 | 43.5 | 27 |
| S1T9-12-16SP | R3/4x14 | R1x11 | 48 | 50 | 33 |
| S1T9-16SP | R1x11 | R1x11 | 50 | 50 | 33 |
| S1T9-16-20SP | R1x11 | R1 1/4x11 | 56.5 | 57.5 | 41 |
| S1T9-20SP | R1 1/4x11 | R1 1/4x11 | 57.5 | 57.5 | 41 |
| S1T9-24SP | R1 1/2x11 | R1 1/2x11 | 62.5 | 62.5 | 48 |
| S1T9-32SP | R2x11 | R2x11 | 68 | 75 | 63 |

British taper pipe male thread / British taper pipe male thread

Characteristics

Structure type: Thread-Threaded connection
 Structure form: Through
 Connection 1: British taper pipe male thread
 Sealing form: Thread seal
 Connection 2: British taper pipe female thread
 Sealing form: Thread seal
 Supply form: Connector body
 Standard: ISO7

Material: Carbon steel · Stainless steel · Copper
 Surface protection:
 Trivalent chromium environmental protection zinc layer
 Description:
 For instructions on assembly, embedding,
 and pressure load as well as allowable
 operating temperature, please refer to the
 technical information for fastening sleeve bolts



| Drawing No. | T1 | T2 | L | L1 | S |
|-------------|-----------|------------|------|------|----|
| S5T-02-04SP | R1/8x28 | Rc1/4x19 | 32.5 | 11 | 19 |
| S5T-04-02SP | R1/4x19 | Rc1/8x28 | 20.5 | 14.5 | 14 |
| S5T-04SP | R1/4x19 | Rc1/4x19 | 36 | 14.5 | 19 |
| S5T-04-06SP | R1/4x19 | Rc3/8x19 | 38 | 14.5 | 22 |
| S5T-06-02SP | R3/8x19 | Rc1/8x28 | 23 | 15 | 19 |
| S5T-06-04SP | R3/8x19 | Rc1/4x19 | 23 | 15 | 19 |
| S5T-06SP | R3/8x19 | Rc3/8x19 | 38.5 | 15 | 22 |
| S5T-06-08SP | R3/8x19 | Rc1/2x14 | 44 | 15 | 27 |
| S5T-08-04SP | R1/2x14 | Rc1/4x19 | 30 | 20 | 24 |
| S5T-08-06SP | R1/2x14 | Rc3/8x19 | 30 | 20 | 24 |
| S5T-08SP | R1/2x14 | Rc1/2x14 | 49 | 20 | 27 |
| S5T-08-12SP | R1/2x14 | Rc3/4x14 | 51 | 20 | 36 |
| S5T-12-06SP | R3/4x14 | Rc3/8x19 | 31 | 20 | 30 |
| S5T-12-08SP | R3/4x14 | Rc1/2x14 | 31 | 20 | 30 |
| S5T-12SP | R3/4x14 | Rc3/4x14 | 51 | 20 | 36 |
| S5T-12-16SP | R3/4x14 | Rc1x11 | 56.5 | 25.5 | 41 |
| S5T-16-08SP | R1x11 | Rc1/2x14 | 37 | 25.5 | 36 |
| S5T-16-12SP | R1x11 | Rc3/4x14 | 37 | 25.5 | 36 |
| S5T-16SP | R1x11 | Rc1x11 | 60 | 25.5 | 41 |
| S5T-16-20SP | R1x11 | Rc1 1/4x11 | 64 | 25.5 | 50 |
| S5T-20-12SP | R1 1/4x11 | Rc3/4x14 | 38 | 26.5 | 46 |
| S5T-20-16SP | R1 1/4x11 | Rc1x11 | 38 | 26.5 | 46 |
| S5T-20SP | R1 1/4x11 | Rc1 1/4x11 | 64.5 | 26.5 | 50 |
| S5T-24-16SP | R1 1/2x11 | Rc1x11 | 41 | 26.5 | 50 |
| S5T-24-20SP | R1 1/2x11 | Rc1 1/4x11 | 41 | 26.5 | 50 |
| S5T-32-20SP | R2x11 | Rc1 1/4x11 | 45 | 30 | 65 |
| S5T-32-24SP | R2x11 | Rc1 1/2x11 | 45 | 30 | 65 |

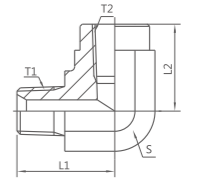
British taper pipe thread BSPT joint

90° Bend British taper pipe male thread / British taper pipe female thread

Characteristics

Structure type: Thread-Threaded connection
 Structure form: Right
 Connection 1: British taper pipe male thread
 Sealing form: Thread seal
 Connection 2: British taper pipe female thread
 Sealing form: Thread seal
 Supply form: Connector body
 Standard: ISO7

Material: Carbon steel · Stainless steel · Copper
 Surface protection:
 Trivalent chromium environmental protection zinc layer
 Description:
 For instructions on assembly, embedding,
 and pressure load as well as allowable
 operating temperature, please refer to the
 technical information for fastening sleeve bolts



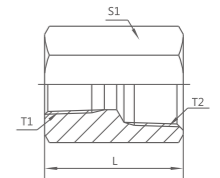
| Drawing No. | T1 | T2 | L1 | L2 | S |
|-------------|-----------|------------|------|------|----|
| S5T9-02SP | R1/8x28 | Rc1/8x28 | 24.5 | 23 | 16 |
| S5T9-04SP | R1/4x19 | Rc1/4x19 | 28.5 | 25 | 19 |
| S5T9-06SP | R3/8x19 | Rc3/8x19 | 33.5 | 25 | 24 |
| S5T9-08SP | R1/2x14 | Rc1/2x14 | 40.8 | 31.5 | 30 |
| S5T9-12SP | R3/4x14 | Rc3/4x14 | 47.5 | 37 | 33 |
| S5T9-16SP | R1x11 | Rc1/4x19 | 56.5 | 43 | 41 |
| S5T9-20SP | R1 1/4x11 | Rc1 1/4x11 | 61 | 50 | 48 |
| S5T9-24SP | R1 1/2x11 | Rc1 1/2x11 | 75 | 55 | 63 |

British taper pipe female thread

Characteristics

Structure type: Thread-Threaded connection
 Structure form: Through
 Connection 1: British taper pipe female thread
 Sealing form: Thread seal
 Connection 2: British taper pipe female thread
 Sealing form: Thread seal
 Supply form: Connector body
 Standard: ISO7

Material: Carbon steel · Stainless steel · Copper
 Surface protection:
 Trivalent chromium environmental protection zinc layer
 Description:
 For instructions on assembly, embedding,
 and pressure load as well as allowable
 operating temperature, please refer to the
 technical information for fastening sleeve bolts



| Drawing No. | T1 | T2 | L | S1 |
|-------------|------------|------------|----|----|
| S7T-02 | Rc1/8x28 | Rc1/8x28 | 20 | 14 |
| S7T-02-04 | Rc1/8x28 | Rc1/4x19 | 30 | 19 |
| S7T-04 | Rc1/4x19 | Rc1/4x19 | 30 | 19 |
| S7T-04-06 | Rc1/4x19 | Rc3/8x19 | 30 | 22 |
| S7T-04-08 | Rc1/4x19 | Rc1/2x14 | 40 | 27 |
| S7T-06 | Rc3/8x19 | Rc3/8x19 | 30 | 22 |
| S7T-06-08 | Rc3/8x19 | Rc1/2x14 | 40 | 27 |
| S7T-06-12 | Rc3/8x19 | Rc3/4x14 | 37 | 36 |
| S7T-08 | Rc1/2x14 | Rc1/2x14 | 40 | 27 |
| S7T-08-12 | Rc1/2x14 | Rc3/4x14 | 42 | 36 |
| S7T-12 | Rc3/4x14 | Rc3/4x14 | 42 | 36 |
| S7T-12-16 | Rc3/4x14 | Rc1x11 | 50 | 41 |
| S7T-16 | Rc1x11 | Rc1x11 | 50 | 41 |
| S7T-16-20 | Rc1x11 | Rc1 1/4x11 | 52 | 50 |
| S7T-20 | Rc1 1/4x11 | Rc1 1/4x11 | 55 | 50 |
| S7T-24 | Rc1 1/2x11 | Rc1 1/2x11 | 55 | 55 |
| S7T-32 | Rc2x11 | Rc2x11 | 60 | 70 |

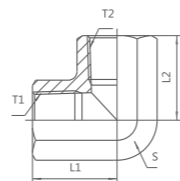
British taper pipe thread BSPT joint

90° Bend British taper pipe female thread

Characteristics

Structure type: Thread-Threaded connection
 Structure form: Right
 Connection 1: British taper pipe female thread
 Sealing form: Thread seal
 Connection 2: British taper pipe female thread
 Sealing form: Thread seal
 Supply form: Connector body
 Standard: ISO7

Material: Carbon steel · Stainless steel · Copper
 Surface protection:
 Trivalent chromium environmental protection zinc layer
 Description:
 For instructions on assembly, embedding,
 and pressure load as well as allowable
 operating temperature, please refer to the
 technical information for fastening sleeve bolts



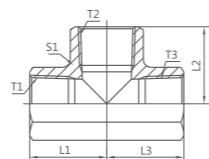
| Drawing No. | T1 | T2 | L1 | L2 | S |
|--------------|------------|------------|------|------|----|
| S7T9-02PK | Rc1/8x28 | Rc1/8x28 | 20 | 20 | 16 |
| S7T9-02-04PK | Rc1/8x28 | Rc1/4x19 | 20 | 22.5 | 19 |
| S7T9-04PK | Rc1/4x19 | Rc1/4x19 | 22.5 | 22.5 | 19 |
| S7T9-06PK | Rc3/8x19 | Rc3/8x19 | 26 | 26 | 24 |
| S7T9-08PK | Rc1/2x14 | Rc1/2x14 | 31 | 31 | 27 |
| S7T9-12PK | Rc3/4x14 | Rc3/4x14 | 34 | 34 | 33 |
| S7T9-16PK | Rc1x11 | Rc1x11 | 42 | 42 | 41 |
| S7T9-20PK | Rc1 1/4x11 | Rc1 1/4x11 | 48 | 48 | 50 |
| S7T9-24PK | Rc1 1/2x11 | Rc1 1/2x11 | 53 | 53 | 60 |
| S7T9-32PK | Rc2x11 | Rc2x11 | 62 | 62 | 70 |

British taper pipe female thread tee

Characteristics

Structure type: Thread-Threaded connection
 Structure form: Tee
 Connection 1,2,3: British taper pipe female thread
 Sealing form: Thread seal
 Supply form: Connector body
 Standard: ISO7

Material: Carbon steel · Stainless steel · Copper
 Surface protection:
 Trivalent chromium environmental protection zinc layer
 Description:
 For instructions on assembly, embedding,
 and pressure load as well as allowable
 operating temperature, please refer to the
 technical information for fastening sleeve bolts



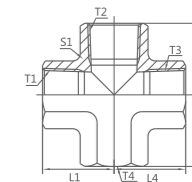
| Drawing No. | T1 | T2 | L1 | L2 | L3 | S1 |
|-------------|------------|------------|------|------|------|----|
| SGT-02PK | Rc1/8x28 | Rc1/8x28 | 20 | 20 | 20 | 16 |
| SGT-04PK | Rc1/4x19 | Rc1/4x19 | 22.5 | 22.5 | 22.5 | 19 |
| SGT-06PK | Rc3/8x19 | Rc3/8x19 | 26 | 26 | 26 | 24 |
| SGT-08PK | Rc1/2x14 | Rc1/2x14 | 31 | 31 | 31 | 27 |
| SGT-12PK | Rc3/4x14 | Rc3/4x14 | 34 | 34 | 34 | 33 |
| SGT-16PK | Rc1x11 | Rc1x11 | 42 | 42 | 42 | 41 |
| SGT-20PK | Rc1 1/4x11 | Rc1 1/4x11 | 48 | 48 | 48 | 50 |
| SGT-24PK | Rc1 1/2x11 | Rc1 1/2x11 | 53 | 53 | 53 | 60 |
| SGT-32PK | Rc2x11 | Rc2x11 | 62 | 62 | 62 | 70 |

British pipe female thread four-way

Characteristics

Structure type: Thread-Threaded connection
 Structure form: Four-way
 Connection 1,2,3,4: British taper pipe female thread
 Sealing form: Thread seal
 Supply form: Connector body
 Standard: ISO7

Material: Carbon steel · Stainless steel · Copper
 Surface protection:
 Trivalent chromium environmental protection zinc layer
 Description:
 For instructions on assembly, embedding,
 and pressure load as well as allowable
 operating temperature, please refer to the
 technical information for fastening sleeve bolts



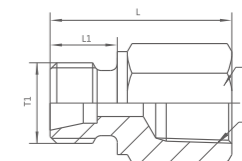
| Drawing No. | T1, T2, T3, T4 | L1, L2, L3, L4 | S1 |
|-------------|----------------|----------------|----|
| SZT-02 | Rc1/8x28 | 20 | 16 |
| SZT-04 | Rc1/4x19 | 22.5 | 19 |
| SZT-06 | Rc3/8x19 | 26 | 24 |
| SZT-08 | Rc1/2x14 | 31 | 27 |
| SZT-12 | Rc3/4x14 | 34 | 33 |
| SZT-16 | Rc1x11 | 42 | 41 |
| SZT-20 | Rc1 1/4x11 | 48 | 50 |

British pipe male thread O-ring / British pipe female thread

Characteristics

Structure type: Thread-Threaded connection
 Structure form: Through
 Connection 1: British pipe male thread
 Sealing form: O-Ring seal
 Connection 2: British taper pipe female thread
 Sealing form: Thread seal
 Supply form: Connector body
 Standard: ISO7/ISO1179-3

Material: Carbon steel · Stainless steel · Copper
 Surface protection:
 Trivalent chromium environmental protection zinc layer
 Description:
 For instructions on assembly, embedding,
 and pressure load as well as allowable
 operating temperature, please refer to the
 technical information for fastening sleeve bolts



| Drawing No. | T1 | T2 | L | L1 | S |
|-------------|---------|----------|------|------|----|
| S5GT-02 | G1/8x28 | Rc1/8x28 | 26 | 9.5 | 14 |
| S5GT-04 | G1/8x28 | Rc1/4x19 | 32 | 10 | 19 |
| S5GT-06 | G3/8x19 | Rc3/8x19 | 37 | 11.5 | 22 |
| S5GT-08-06 | G1/2x14 | Rc3/8x19 | 38 | 14 | 27 |
| S5GT-08 | G1/2x14 | Rc1/2x14 | 46 | 14 | 27 |
| S5GT-12 | G3/4x14 | Rc3/4x14 | 49.5 | 15.5 | 36 |
| S5GT-16 | G1x11 | Rc1x11 | 52 | 18 | 41 |

American taper pipe thread NPT connector

231/245

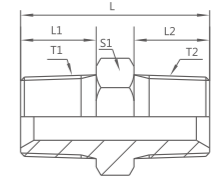
| | | | | | | |
|--------------------------|-----------------------------|-----------------------------|--------------------------|-----------------------------|-----------------------------|----------------------------|
| S1N P/231 | S1N9 P/232 | SAN P/232 | S4N P/233 | S4NN P/233 | SSN P/234 | SSN4 P/235 |
| SSN9 P/235 | S1N P/236 | SHN P/236 | S7N P/237 | S7N4-PK P/237 | S7N9-PK P/238 | SSN-PK P/238 |
| S1N P/239 | SSN-CAP P/239 | S1N0 P/240 | SSON P/241 | SSON9 P/242 | SSNO P/243 | SSGN P/244 |
| SSHN P/244 | SS1N P/245 | SSTN-SP P/245 | | | | |

American taper pipe male thread

Characteristics

Structure type: Thread-Threaded connection
 Structure form: Through
 Connection 1: American taper pipe male thread
 Sealing form: Thread seal
 Connection 2: American taper pipe male thread
 Sealing form: Thread seal
 Supply form: Connector body
 Standard: SAE J476

Material: Carbon steel · Stainless steel · Copper
 Surface protection:
 Trivalent chromium environmental protection zinc layer
 Description:
 For instructions on assembly, embedding,
 and pressure load as well as allowable
 operating temperature, please refer to the
 technical information for fastening sleeve bolts



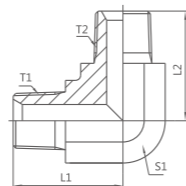
| Drawing No. | T1 | T2 | L | L1 | L2 | S1 |
|-------------|---------------|---------------|------|------|------|----|
| S1N-02 | NPT1/8x27 | NPT1/8x27 | 27 | 10.5 | 10.5 | 12 |
| S1N-02-04 | NPT1/8x27 | R1/4x19 | 31 | 10.5 | 15 | 17 |
| S1N-02-06 | NPT1/8x27 | NPT3/8x18 | 32 | 10.5 | 16 | 19 |
| S1N-04 | NPT1/4x18 | R1/4x19 | 35 | 15 | 15 | 17 |
| S1N-04-06 | NPT1/4x18 | NPT3/8x18 | 37 | 15 | 16 | 19 |
| S1N-04-08 | NPT1/4x18 | NPT1/2x14 | 41.5 | 15 | 19.5 | 22 |
| S1N-06 | NPT3/8x18 | NPT3/8x18 | 38 | 16 | 16 | 19 |
| S1N-06-08 | NPT3/8x18 | NPT1/2x14 | 43.5 | 16 | 19.5 | 22 |
| S1N-06-12 | NPT3/8x18 | NPT3/4x14 | 45.5 | 16 | 19.5 | 27 |
| S1N-08 | NPT1/2x14 | NPT1/2x14 | 47 | 19.5 | 19.5 | 22 |
| S1N-08-12 | NPT1/2x14 | NPT3/4x14 | 49 | 19.5 | 19.5 | 27 |
| S1N-08-16 | NPT1/2x14 | NPT1x11.5 | 56 | 19.5 | 25.5 | 36 |
| S1N-12 | NPT3/4x14 | NPT3/4x14 | 49 | 19.5 | 19.5 | 27 |
| S1N-12-16 | NPT3/4x14 | NPT1x11.5 | 55 | 19.5 | 25.5 | 36 |
| S1N-12-20 | NPT1x11.5 | NPT1 1/4x11.5 | 59 | 19.5 | 26.5 | 46 |
| S1N-16 | NPT1x11.5 | NPT1x11.5 | 61 | 25.5 | 25.5 | 36 |
| S1N-16-20 | NPT1x11.5 | NPT1 1/4x11.5 | 64 | 25.5 | 26.5 | 46 |
| S1N-16-24 | NPT1x11.5 | NPT1 1/2x11.5 | 68 | 25.5 | 27.5 | 5 |
| S1N-20 | NPT1 1/4x11.5 | NPT1 1/4x11.5 | 65 | 26.5 | 26.5 | 46 |
| S1N-20-24 | NPT1 1/4x11.5 | NPT1 1/2x11.5 | 69 | 26.5 | 27.5 | 50 |
| S1N-24 | NPT1 1/2x11.5 | NPT1 1/2x11.5 | 69 | 27.5 | 27.5 | 50 |
| S1N-24-32 | NPT1 1/2x11.5 | NPT2x11.5 | 72 | 27.5 | 27.5 | 65 |
| S1N-32 | NPT2x11.5 | NPT2x11.5 | 71 | 27.5 | 27.5 | 65 |

90° Bend American taper pipe male thread

Characteristics

Structure type: Thread-Threaded connection
 Structure form: Right
 Connection 1: American taper pipe male thread
 Sealing form: Thread seal
 Connection 2: American taper pipe male thread
 Sealing form: Thread seal
 Supply form: Connector body
 Standard: SAE J476

Material: Carbon steel · Stainless steel · Copper
 Surface protection:
 Trivalent chromium environmental protection zinc layer
 Description:
 For instructions on assembly, embedding,
 and pressure load as well as allowable
 operating temperature, please refer to the
 technical information for fastening sleeve bolts



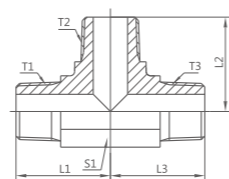
| Drawing No. | T1 | T2 | L1 | L2 | S1 |
|-------------|---------------|---------------|------|------|----|
| S1N9-02 | NPT1/8x27 | NPT1/8x27 | 21 | 21 | 11 |
| S1N9-02-04 | NPT1/8x27 | NPT1/4x18 | 23.5 | 25.5 | 14 |
| S1N9-04 | NPT1/4x18 | NPT1/4x18 | 25.5 | 25.5 | 14 |
| S1N9-04-06 | NPT1/4x18 | NPT3/8x18 | 28 | 31 | 19 |
| S1N9-04-08 | NPT1/4x18 | NPT1/2x14 | 30.5 | 36.5 | 22 |
| S1N9-06 | NPT3/8x18 | NPT3/8x18 | 31 | 31 | 19 |
| S1N9-06-08 | NPT3/8x18 | NPT1/2x14 | 33.8 | 37.3 | 22 |
| S1N9-08 | NPT1/2x14 | NPT1/2x14 | 37.3 | 37.3 | 22 |
| S1N9-08-12 | NPT1/2x14 | NPT3/4x14 | 40 | 44 | 27 |
| S1N9-12 | NPT3/4x14 | NPT3/4x14 | 44 | 44 | 27 |
| S1N9-12-16 | NPT3/4x14 | NPT1x11.5 | 46.5 | 50 | 33 |
| S1N9-16 | NPT1x11.5 | NPT1x11.5 | 50 | 50 | 33 |
| S1N9-20 | NPT1 1/4x11.5 | NPT1 1/4x11.5 | 54 | 54 | 41 |
| S1N9-24 | NPT1 1/2x11.5 | NPT1 1/2x11.5 | 63 | 63 | 48 |
| S1N9-32 | NPT2x11.5 | NPT2x11.5 | 68 | 68 | 63 |

American taper pipe male thread tee

Characteristics

Structure type: Thread-Threaded connection
 Structure form: Tee
 Connection 1: American taper pipe male thread
 Sealing form: Thread seal
 Connection 2: American taper pipe male thread
 Sealing form: Thread seal
 Supply form: Connector body
 Standard: SAE J476

Material: Carbon steel · Stainless steel · Copper
 Surface protection:
 Trivalent chromium environmental protection zinc layer
 Description:
 For instructions on assembly, embedding,
 and pressure load as well as allowable
 operating temperature, please refer to the
 technical information for fastening sleeve bolts



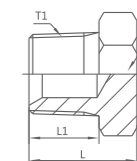
| Drawing No. | T1, T2, T3 | L1 | L2 | L3 | S1 |
|-------------|---------------|------|------|------|----|
| SAN-02 | NPT1/8x27 | 21 | 21 | 21 | 11 |
| SAN-04 | NPT1/4x18 | 25.5 | 25.5 | 25.5 | 14 |
| SAN-06 | NPT3/8x18 | 31 | 31 | 31 | 19 |
| SAN-08 | NPT1/2x14 | 36.7 | 36.7 | 36.7 | 22 |
| SAN-12 | NPT3/4x14 | 44 | 44 | 44 | 27 |
| SAN-16 | NPT1x11.5 | 50 | 50 | 50 | 33 |
| SAN-20 | NPT1 1/4x11.5 | 54.5 | 54.5 | 54.5 | 41 |
| SAN-24 | NPT1 1/2x11.5 | 59.5 | 59.5 | 59.5 | 48 |

American taper pipe male thread plug

Characteristics

Structure type: Thread-Threaded connection
 Structure form: Plug
 Connection 1: American taper pipe male thread
 Sealing form: Thread seal
 Supply form: Connector body
 Standard: SAE J476

Material: Carbon steel · Stainless steel · Copper
 Surface protection:
 Trivalent chromium environmental protection zinc layer
 Description:
 For instructions on assembly, embedding,
 and pressure load as well as allowable
 operating temperature, please refer to the
 technical information for fastening sleeve bolts



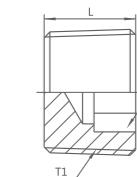
| Drawing No. | T1 | L | L1 | S1 |
|-------------|---------------|------|------|----|
| S4N-02 | NPT1/8x27 | 16 | 10.5 | 12 |
| S4N-04 | NPT1/4x17 | 20 | 15 | 17 |
| S4N-06 | NPT3/8x18 | 21 | 16 | 19 |
| S4N-08 | NPT1/2x14 | 27 | 19.5 | 22 |
| S4N-12 | NPT3/4x14 | 29.5 | 19.5 | 27 |
| S4N-16 | NPT1x11.5 | 36.5 | 25.5 | 36 |
| S4N-20 | NPT1 1/4x11.5 | 38.5 | 26.5 | 46 |
| S4N-24 | NPT1 1/2x11.5 | 43 | 27.5 | 50 |
| S4N-32 | NPT2x11.5 | 43.5 | 27.5 | 65 |

American taper pipe female thread hex plug

Characteristics

Structure type: Threaded connection
 Structure form: Plug
 Connection 1: American taper pipe male thread
 Sealing form: Thread seal
 Supply form: Connector body
 Standard:

Material: Carbon steel · Stainless steel · Copper
 Surface protection:
 Trivalent chromium environmental protection zinc layer
 Description:
 For instructions on assembly, embedding,
 and pressure load as well as allowable
 operating temperature, please refer to the
 technical information for fastening sleeve bolts



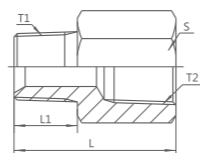
| Drawing No. | T1 | L | S1 |
|-------------|-----------|----|----|
| S4NN-02 | NPT1/8x27 | 8 | 5 |
| S4NN-04 | NPT1/4x18 | 10 | 6 |
| S4NN-06 | NPT3/8x18 | 12 | 8 |
| S4NN-08 | NPT1/2x14 | 15 | 10 |
| S4NN-12 | NPT3/4x14 | 16 | 12 |
| S4NN-16 | NPT1x11.5 | 20 | 17 |

American taper pipe male thread / American taper pipe female thread

Characteristics

Structure type: Thread-Threaded connection
 Structure form: Through
 Connection 1: American taper pipe male thread
 Sealing form: Thread seal
 Connection 2: American taper pipe female thread
 Sealing form: Thread seal
 Supply form: Connector body
 Standard: SAE J476

Material: Carbon steel · Stainless steel · Copper
 Surface protection:
 Trivalent chromium environmental protection zinc layer
 Description:
 For instructions on assembly, embedding,
 and pressure load as well as allowable
 operating temperature, please refer to the
 technical information for fastening sleeve bolts



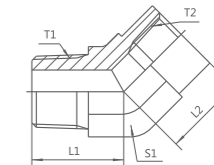
| Drawing No. | T1 | T2 | L | L1 | S |
|-------------|---------------|---------------|------|------|----|
| S5N-02 | NPT1/8x27 | NPT1/8x27 | 25.5 | 10.5 | 17 |
| S5N-02-04 | NPT1/8x27 | NPT1/4x18 | 31 | 10.5 | 19 |
| S5N-02-06 | NPT1/8x28 | NPT3/8x18 | 31 | 11 | 24 |
| S5N-04-02 | NPT1/4x18 | NPT1/8x27 | 22 | 15 | 17 |
| S5N-04 | NPT1/4x18 | NPT1/4x18 | 35.3 | 15 | 19 |
| S5N-04-06 | NPT1/4x18 | NPT3/8x18 | 36.6 | 15 | 24 |
| S5N-04-08 | NPT1/4x18 | NPT1/2x14 | 43 | 15 | 30 |
| S5N-06-02 | NPT3/8x18 | NPT1/8x27 | 22 | 16 | 19 |
| S5N-06-04 | NPT3/8x18 | NPT1/4x18 | 22 | 16 | 19 |
| S5N-06 | NPT3/8x18 | NPT3/8x18 | 37.6 | 16 | 24 |
| S5N-06-08 | NPT3/8x18 | NPT1/2x14 | 43.7 | 17 | 30 |
| S5N-06-12 | NPT3/8x18 | NPT3/4x14 | 47 | 17 | 36 |
| S5N-08-04 | NPT1/2x14 | NPT1/4x18 | 28 | 19.5 | 24 |
| S5N-08-06 | NPT1/2x14 | NPT3/8x18 | 28.5 | 19.5 | 24 |
| S5N-08 | NPT1/2x14 | NPT1/2x14 | 47.5 | 19.5 | 30 |
| S5N-08-12 | NPT1/2x14 | NPT3/4x14 | 49 | 19.5 | 36 |
| S5N-12-06 | NPT3/4x14 | NPT3/8x18 | 30.5 | 19.5 | 27 |
| S5N-12-08 | NPT3/4x14 | NPT1/2x14 | 30.5 | 19.5 | 27 |
| S5N-12 | NPT3/4x14 | NPT3/4x14 | 49 | 19.5 | 36 |
| S5N-12-16 | NPT3/4x14 | NPT1x11.5 | 55.4 | 19.5 | 41 |
| S5N-16-08 | NPT1x11.5 | NPT1/2x14 | 35.5 | 25.5 | 36 |
| S5N-16-12 | NPT1x11.5 | NPT3/4x14 | 36.5 | 25.5 | 36 |
| S5N-16 | NPT1x11.5 | NPT1x11.5 | 60.7 | 25.5 | 41 |
| S5N-16-20 | NPT1x11.5 | NPT1 1/4x11.5 | 63.5 | 25.5 | 50 |
| S5N-20-12 | NPT1 1/4x11.5 | NPT3/4x14 | 38.5 | 25.5 | 46 |
| S5N-20-16 | NPT1 1/4x11.5 | NPT1x11.5 | 41 | 26.5 | 46 |
| S5N-20 | NPT1 1/4x11.5 | NPT1 1/4x11.5 | 61.5 | 26.5 | 50 |
| S5N-20-24 | NPT1 1/4x11.5 | NPT1 1/2x11.5 | 62.5 | 26.5 | 60 |
| S5N-24-16 | NPT1 1/2x11.5 | NPT1x11.5 | 41.5 | 27.5 | 50 |
| S5N-24-20 | NPT1 1/2x11.5 | NPT1 1/4x11.5 | 41 | 27.5 | 50 |
| S5N-24 | NPT1 1/2x11.5 | NPT1 1/2x11.5 | 62.5 | 27.5 | 65 |
| S5N-24-32 | NPT1 1/2x11.5 | NPT2x11.5 | 66.5 | 27.5 | 70 |
| S5N-32-20 | NPT2x11.5 | NPT1 1/4x11.5 | 44.5 | 27.5 | 65 |
| S5N-32-24 | NPT2x11.5 | NPT1 1/2x11.5 | 45 | 27.5 | 65 |
| S5N-32 | NPT2x11.5 | NPT2x11.5 | 62.5 | 27.5 | 70 |

45° Bend American Taper Pipe Male thread / American taper pipe female thread connector

Characteristics

Structure type: Thread-Threaded connection
 Structure form: Bevel
 Connection 1: American taper pipe male thread
 Sealing form: Thread seal
 Connection 2: American taper pipe female thread
 Sealing form: Thread seal
 Supply form: Connector body
 Standard: SAE J476

Material: Carbon steel · Stainless steel · Copper
 Surface protection:
 Trivalent chromium environmental protection zinc layer
 Description:
 For instructions on assembly, embedding,
 and pressure load as well as allowable
 operating temperature, please refer to the
 technical information for fastening sleeve bolts



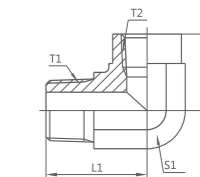
| Drawing No. | T1, T3 | T2 | L1 | L2 | L3 |
|-------------|---------------|---------------|------|------|----|
| S5N4-02 | NPT1/8x27 | NPT1/8x27 | 19 | 17 | 16 |
| S5N4-04 | NPT1/4x18 | NPT1/4x18 | 22 | 20 | 19 |
| S5N4-06 | NPT3/8x18 | NPT3/8x18 | 27 | 19 | 24 |
| S5N4-08 | NPT1/2x14 | NPT1/2x14 | 31.7 | 28 | 30 |
| S5N4-12 | NPT3/4x14 | NPT3/4x14 | 36.5 | 30 | 33 |
| S5N4-16 | NPT1x11.5 | NPT1x11.5 | 42.5 | 37.5 | 41 |
| S5N4-20 | NPT1 1/4x11.5 | NPT1 1/4x11.5 | 44 | 30 | 48 |
| S5N4-24 | NPT1 1/2x11.5 | NPT1 1/2x11.5 | 51 | 36 | 63 |

90° Bend American taper pipe male thread / American taper pipe female thread

Characteristics

Structure type: Thread-Threaded connection
 Structure form: Right
 Connection 1: American taper pipe male thread
 Sealing form: Thread seal
 Connection 2: American taper pipe female thread
 Sealing form: Thread seal
 Supply form: Connector body
 Standard: SAE J476

Material: Carbon steel · Stainless steel · Copper
 Surface protection:
 Trivalent chromium environmental protection zinc layer
 Description:
 For instructions on assembly, embedding,
 and pressure load as well as allowable
 operating temperature, please refer to the
 technical information for fastening sleeve bolts



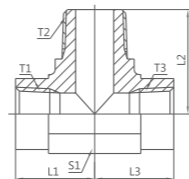
| Drawing No. | T1 | T2 | L1 | L2 | S1 |
|-------------|---------------|---------------|------|------|----|
| S5N9-02 | NPT1/8x27 | NPT1/8x27 | 24.5 | 17.8 | 16 |
| S5N9-04-02 | NPT1/4x18 | NPT1/8x27 | 26.5 | 16.8 | 16 |
| S5N9-04 | NPT1/4x18 | NPT1/4x18 | 28 | 22.4 | 19 |
| S5N9-04-06 | NPT1/4x18 | NPT3/8x18 | 31 | 25 | 24 |
| S5N9-06-04 | NPT3/8x18 | NPT1/4x18 | 31 | 22.4 | 19 |
| S5N9-06 | NPT3/8x18 | NPT3/8x18 | 33.5 | 25 | 24 |
| S5N9-08 | NPT1/2x14 | NPT1/2x14 | 41.2 | 31.2 | 30 |
| S5N9-12-08 | NPT3/4x14 | NPT1/2x14 | 45 | 31.2 | 30 |
| S5N9-12 | NPT3/4x14 | NPT3/4x14 | 45.2 | 34.5 | 33 |
| S5N9-16 | NPT1x11.5 | NPT1x11.5 | 54.5 | 41.1 | 41 |
| S5N9-20 | NPT1 1/4x11.5 | NPT1 1/4x11.5 | 63 | 43.2 | 48 |
| S5N9-24 | NPT1 1/2x11.5 | NPT1 1/2x11.5 | 71.5 | 52.8 | 63 |
| S5N9-32 | NPT2x11.5 | NPT2x11.5 | 73.5 | 62 | 65 |

American taper pipe female thread / American taper pipe male thread branch tee

Characteristics

Structure type: Thread-Threaded connection
 Structure form: Tee
 Connection 1: American taper pipe female thread
 Sealing form: Thread seal
 Connection 2: American taper pipe male thread
 Sealing form: Thread seal
 Supply form: Connector body
 Standard: SAE J476

Material: Carbon steel · Stainless steel · Copper
 Surface protection:
 Trivalent chromium environmental protection zinc layer
 Description:
 For instructions on assembly, embedding,
 and pressure load as well as allowable
 operating temperature, please refer to the
 technical information for fastening sleeve bolts



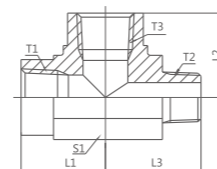
| Drawing No. | T1、T3 | T2 | L1 | L2 | L3 | S1 |
|-------------|-----------|-----------|------|------|------|----|
| SJN-02 | NPT1/8x27 | NPT1/8x27 | 17.8 | 24.5 | 17.8 | 14 |
| SJN-04 | NPT1/4x18 | NPT1/4x18 | 22.4 | 28 | 22.4 | 19 |
| SJN-06 | NPT3/8x18 | NPT3/8x18 | 25 | 33.5 | 25 | 24 |
| SJN-08 | NPT1/2x14 | NPT1/2x14 | 31.2 | 41.2 | 31.2 | 30 |
| SJN-12 | NPT3/4x14 | NPT3/4x14 | 34.5 | 45.2 | 34.5 | 33 |
| SJN-16 | NPT1x11.5 | NPT1x11.5 | 41.1 | 51.5 | 41.1 | 41 |

American taper pipe female thread / American taper pipe male thread main branch tee

Characteristics

Structure type: Thread-Threaded connection
 Structure form: Tee
 Connection 1: American taper pipe female thread
 Sealing form: Thread seal
 Connection 2: American taper pipe male thread
 Sealing form: Thread seal
 Supply form: Connector body
 Standard: SAE J476

Material: Carbon steel · Stainless steel · Copper
 Surface protection:
 Trivalent chromium environmental protection zinc layer
 Description:
 For instructions on assembly, embedding,
 and pressure load as well as allowable
 operating temperature, please refer to the
 technical information for fastening sleeve bolts



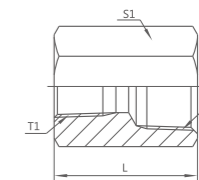
| Drawing No. | T1、T3 | T2 | L1 | L2 | L3 | S1 |
|-------------|---------------|---------------|----|----|------|----|
| SHN-02 | NPT1/8x27 | NPT1/8x27 | 20 | 20 | 24.5 | 16 |
| SHN-04 | NPT1/4x18 | NPT1/4x18 | 25 | 25 | 28.5 | 19 |
| SHN-06 | NPT3/8x18 | NPT3/8x18 | 27 | 27 | 33.5 | 24 |
| SHN-08 | NPT1/2x14 | NPT1/2x14 | 35 | 35 | 42.5 | 30 |
| SHN-12 | NPT3/4x14 | NPT3/4x14 | 37 | 37 | 45.2 | 33 |
| SHN-16 | NPT1x11.5 | NPT1x11.5 | 44 | 44 | 54.7 | 41 |
| SHN-20 | NPT1 1/4x11.5 | NPT1 1/4x11.5 | 48 | 48 | 58.5 | 48 |

American taper pipe female thread

Characteristics

Structure type: Thread-Threaded connection
 Structure form: Through
 Connection 1: American taper pipe female thread
 Sealing form: Thread seal
 Supply form: Connector body
 Standard: SAE J476

Material: Carbon steel · Stainless steel · Copper
 Surface protection:
 Trivalent chromium environmental protection zinc layer
 Description:
 For instructions on assembly, embedding,
 and pressure load as well as allowable
 operating temperature, please refer to the
 technical information for fastening sleeve bolts



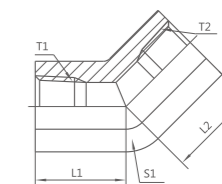
| Drawing No. | T1 | T2 | L | S1 |
|-------------|---------------|---------------|------|----|
| S7N-02 | NPT1/8x27 | NPT1/8x27 | 24 | 17 |
| S7N-02-04 | NPT1/8x27 | NPT1/4x18 | 27 | 19 |
| S7N-02-06 | NPT1/8x27 | NPT3/8x18 | 30 | 22 |
| S7N-04 | NPT1/4x18 | NPT1/4x18 | 29 | 19 |
| S7N-04-06 | NPT1/4x18 | NPT3/8x18 | 31 | 22 |
| S7N-04-08 | NPT1/4x18 | NPT1/2x14 | 35 | 30 |
| S7N-06 | NPT3/8x18 | NPT3/8x18 | 29 | 22 |
| S7N-06-08 | NPT3/8x18 | NPT1/2x14 | 38 | 30 |
| S7N-06-12 | NPT3/8x18 | NPT3/4x14 | 40 | 36 |
| S7N-08 | NPT1/2x14 | NPT1/2x14 | 38 | 30 |
| S7N-08-12 | NPT1/2x14 | NPT3/4x14 | 43 | 36 |
| S7N-12 | NPT3/4x14 | NPT3/4x14 | 39 | 36 |
| S7N-12-16 | NPT3/4x14 | NPT1x11.5 | 45.5 | 41 |
| S7N-16 | NPT1x11.5 | NPT1x11.5 | 48 | 41 |
| S7N-20 | NPT1 1/4x11.5 | NPT1 1/4x11.5 | 49 | 50 |
| S7N-24 | NPT1 1/2x11.5 | NPT1 1/2x11.5 | 49 | 60 |
| S7N-32 | NPT2x11.5 | NPT2x11.5 | 50 | 70 |

45° American taper pipe female thread

Characteristics

Structure type: Thread-Threaded connection
 Structure form: 45° Bevel
 Connection 1: American taper pipe female thread
 Sealing form: Thread seal
 Connection 2: American taper pipe female thread
 Supply form: Connector body
 Standard: SAE J476

Material: Carbon steel · Stainless steel · Copper
 Surface protection:
 Trivalent chromium environmental protection zinc layer
 Description:
 For instructions on assembly, embedding,
 and pressure load as well as allowable
 operating temperature, please refer to the
 technical information for fastening sleeve bolts



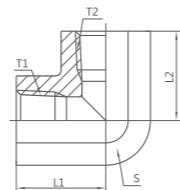
| Drawing No. | T1 | T2 | L1 | L2 | S1 |
|-------------|-----------|-----------|------|------|----|
| S7N4-02PK | NPT1/8x27 | NPT1/8x27 | 18.5 | 18.5 | 16 |
| S7N4-04PK | NPT1/4x18 | NPT1/4x18 | 20 | 20 | 19 |
| S7N4-06PK | NPT3/8x18 | NPT3/8x18 | 25 | 25 | 24 |
| S7N4-08PK | NPT1/2x14 | NPT1/2x14 | 27.5 | 27.5 | 27 |
| S7N4-12PK | NPT3/4x14 | NPT3/4x14 | 31.5 | 31.5 | 33 |
| S7N4-16PK | NPT1x11.5 | NPT1x11.5 | 37.5 | 37.5 | 41 |

90° Bend American taper pipe female thread

Characteristics

Structure type: Thread-Threaded connection
 Structure form: Right
 Connection 1: American taper pipe female thread
 Sealing form: Thread seal
 Connection 2: American taper pipe female thread
 Sealing form: Thread seal
 Supply form: Connector body
 Standard: SAE J476

Material: Carbon steel · Stainless steel · Copper
 Surface protection:
 Trivalent chromium environmental protection zinc layer
 Description:
 For instructions on assembly, embedding,
 and pressure load as well as allowable
 operating temperature, please refer to the
 technical information for fastening sleeve bolts



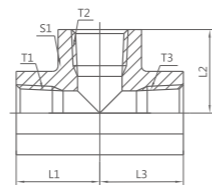
| Drawing No. | T1 | T2 | L1 | L2 | S |
|--------------|---------------|---------------|------|------|----|
| S7N9-02PK | NPT1/8x27 | NPT1/8x27 | 20 | 20 | 16 |
| S7N9-02-04PK | NPT1/8x27 | NPT1/4x18 | 20 | 22.5 | 19 |
| S7N9-04PK | NPT1/4x18 | NPT1/4x18 | 22.5 | 22.5 | 19 |
| S7N9-04-06PK | NPT1/4x18 | NPT3/8x18 | 25 | 26 | 24 |
| S7N9-06PK | NPT3/8x18 | NPT3/8x18 | 26 | 26 | 24 |
| S7N9-06-08PK | NPT3/8x18 | NPT1/2x14 | 26 | 31 | 27 |
| S7N9-08PK | NPT1/2x14 | NPT1/2x14 | 31 | 31 | 27 |
| S7N9-08-12PK | NPT1/2x14 | NPT3/4x14 | 34 | 34 | 33 |
| S7N9-12PK | NPT3/4x14 | NPT3/4x14 | 34 | 34 | 33 |
| S7N9-12-16PK | NPT3/4x14 | NPT1x11.5 | 42 | 42 | 41 |
| S7N9-16PK | NPT1x11.5 | NPT1x11.5 | 42 | 42 | 41 |
| S7N9-20PK | NPT1 1/4x11.5 | NPT1 1/4x11.5 | 48 | 48 | 50 |
| S7N9-24PK | NPT1 1/2x11.5 | NPT1 1/2x11.5 | 53 | 53 | 60 |
| S7N9-32PK | NPT2x11.5 | NPT2x11.5 | 62 | 62 | 70 |

American taper pipe female thread tee

Characteristics

Structure type: Thread-Threaded connection
 Structure form: Tee
 Connection 1,2,3: American taper pipe female thread
 Sealing form: Thread seal
 Supply form: Connector body
 Standard: SAE J476

Material: Carbon steel · Stainless steel · Copper
 Surface protection:
 Trivalent chromium environmental protection zinc layer
 Description:
 For instructions on assembly, embedding,
 and pressure load as well as allowable
 operating temperature, please refer to the
 technical information for fastening sleeve bolts



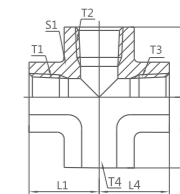
| Drawing No. | T1, T2, T3 | L1, L2, L3 | S1 |
|-------------|---------------|------------|----|
| SGN-02PK | NPT1/8x27 | 20 | 16 |
| SGN-04PK | NPT1/4x18 | 22.5 | 19 |
| SGN-06PK | NPT3/8x18 | 26 | 24 |
| SGN-08PK | NPT1/2x14 | 31 | 27 |
| SGN-12PK | NPT3/4x14 | 34 | 33 |
| SGN-16PK | NPT1x11.5 | 42 | 41 |
| SGN-20PK | NPT1 1/4x11.5 | 48 | 50 |
| SGN-24PK | NPT1 1/2x11.5 | 53 | 60 |
| SGN-32PK | NPT2x11.5 | 62 | 70 |

American pipe female thread four-way

Characteristics

Structure type: Thread-Threaded connection
 Structure form: Four-way
 Connection 1,2,3,4: American taper pipe female thread
 Sealing form: Thread seal
 Supply form: Connector body
 Standard: SAE J476

Material: Carbon steel · Stainless steel · Copper
 Surface protection:
 Trivalent chromium environmental protection zinc layer
 Description:
 For instructions on assembly, embedding,
 and pressure load as well as allowable
 operating temperature, please refer to the
 technical information for fastening sleeve bolts



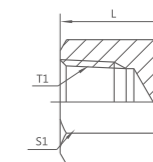
| Drawing No. | T1, T2, T3, T4 | L1, L2, L3, L4 | S1 |
|-------------|----------------|----------------|----|
| SZN-04 | NPT1/4x18 | 22.5 | 19 |
| SZN-06 | NPT3/8x18 | 26 | 24 |
| SZN-08 | NPT1/2x14 | 31 | 27 |
| SZN-12 | NPT3/4x14 | 34 | 33 |
| SZN-16 | NPT1x11 | 42 | 41 |
| SZN-20 | NPT1 1/4x11 | 48 | 50 |

American taper pipe female thread plug

Characteristics

Structure type: Thread-Threaded connection
 Structure form: Plug
 Connection 1: American taper pipe female thread
 Sealing form: Thread seal
 Supply form: Connector body
 Standard: SAE J476

Material: Carbon steel · Stainless steel · Copper
 Surface protection:
 Trivalent chromium environmental protection zinc layer
 Description:
 For instructions on assembly, embedding,
 and pressure load as well as allowable
 operating temperature, please refer to the
 technical information for fastening sleeve bolts



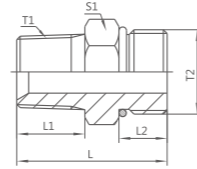
| Drawing No. | T1 | L | S1 |
|-------------|---------------|------|----|
| S9N-02CAP | NPT1/8x27 | 17.5 | 17 |
| S9N-04CAP | NPT1/4x18 | 23 | 19 |
| S9N-06CAP | NPT3/8x18 | 24 | 24 |
| S9N-08CAP | NPT1/2x14 | 28 | 30 |
| S9N-12CAP | NPT3/4x14 | 28 | 36 |
| S9N-16CAP | NPT1x11.5 | 34 | 46 |
| S9N-20CAP | NPT1 1/4x11.5 | 37 | 55 |
| S9N-24CAP | NPT1 1/2x11.5 | 37 | 65 |
| S9N-32CAP | NPT2x11.5 | 40.5 | 75 |

American SAE male thread O-ring light series / American taper pipe female thread

Characteristics

Structure type: Thread-Threaded connection
 Structure form: Through
 Connection 1: American taper pipe male thread
 Sealing form: Thread seal
 Connection 2: American taper pipe male thread
 Sealing form: O-ring seal
 Supply form: Connector body
 Standard: ISO11926-3/SAEJ476

Material: Carbon steel · Stainless steel · Copper
 Surface protection:
 Trivalent chromium environmental protection zinc layer
 Description:
 For instructions on assembly, embedding, and pressure load as well as allowable operating temperature, please refer to the technical information for fastening sleeve bolts



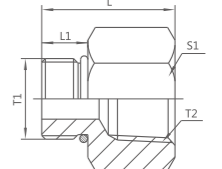
| Drawing No. | T1 | T2 | L | L1 | L2 | S1 | O-ring |
|-------------|---------------|-----------|------|------|------|----|------------|
| S1NO-04 | NPT1/4x18 | 7/16x20 | 30 | 15 | 9.1 | 14 | 9.17x1.83 |
| S1NO-04-06 | NPT1/4x18 | 9/16x18 | 31 | 15 | 9.9 | 17 | 11.89x1.98 |
| S1NO-06-04 | NPT3/8x18 | 7/16x20 | 31 | 16 | 9.1 | 19 | 9.17x1.83 |
| S1NO-06 | NPT3/8x18 | 9/16x18 | 32 | 16 | 9.9 | 19 | 11.89x1.98 |
| S1NO-06-08 | NPT3/8x18 | 3/4x16 | 35.5 | 16 | 11.1 | 22 | 16.36x2.21 |
| S1NO-08 | NPT1/2x14 | 3/4x16 | 38.5 | 19.5 | 11.1 | 22 | 16.36x2.21 |
| S1NO-08-10 | NPT1/2x14 | 7/8x14 | 42 | 19.5 | 12.7 | 27 | 19.18x2.46 |
| S1NO-08-12 | NPT1/2x14 | 1 1/16x12 | 45.5 | 19.5 | 15.1 | 32 | 23.47x2.95 |
| S1NO-12-10 | NPT3/4x14 | 7/8x14 | 43 | 19.5 | 12.7 | 30 | 19.18x2.46 |
| S1NO-12 | NPT3/4x14 | 1 1/16x12 | 45.5 | 19.5 | 15.1 | 32 | 23.47x2.95 |
| S1NO-16 | NPT1x11.5 | 1 5/16x12 | 51.5 | 25.5 | 15.1 | 38 | 29.74x2.95 |
| S1NO-20-16 | NPT1 1/4x11.5 | 1 5/16x12 | 54.5 | 26.5 | 15.1 | 46 | 29.74x2.95 |
| S1NO-20 | NPT1 1/4x11.5 | 1 5/8x12 | 56.5 | 26.5 | 15.1 | 50 | 37.47x3 |
| S1NO-24 | NPT1 1/2x11.5 | 1 7/8x12 | 57.5 | 27.5 | 15.1 | 55 | 37.47x3 |

American SAE male thread O-ring light series / American taper pipe female thread

Characteristics

Structure type: Thread-Threaded connection
 Structure form: Through
 Connection 1: American taper pipe male thread
 Sealing form: O-ring seal
 Connection 2: American taper pipe female thread
 Sealing form: Thread seal
 Supply form: Connector body
 Standard: ISO11926-3/SAEJ476

Material: Carbon steel · Stainless steel · Copper
 Surface protection:
 Trivalent chromium environmental protection zinc layer
 Description:
 For instructions on assembly, embedding, and pressure load as well as allowable operating temperature, please refer to the technical information for fastening sleeve bolts



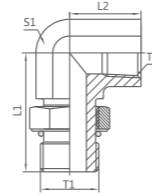
| Drawing No. | T1 | T2 | L | L1 | S1 | O-ring |
|-------------|-----------|---------------|------|------|----|------------|
| S50N-03-02 | 3/8x24 | NPT1/8x27 | 24.5 | 7.54 | 17 | 7.65x1.63 |
| S50N-03-04 | 3/8x24 | NPT1/4x18 | 29 | 7.54 | 19 | 7.65x1.63 |
| S50N-04-02 | 7/16x20 | NPT1/8x27 | 24.5 | 9.1 | 17 | 9.17x1.83 |
| S50N-04 | 7/16x20 | NPT1/4x18 | 30.5 | 9.1 | 19 | 9.17x1.83 |
| S50N-04-06 | 7/16x20 | NPT3/8x18 | 30.7 | 9.1 | 24 | 9.17x1.83 |
| S50N-05-02 | 1/2x20 | NPT1/8x27 | 26 | 9.1 | 17 | 10.52x1.83 |
| S50N-06-04 | 9/16x18 | NPT1/4x14 | 31.5 | 9.9 | 19 | 11.89x1.98 |
| S50N-08-04 | 3/4x16 | NPT1/4x14 | 32.5 | 11.1 | 22 | 16.36x2.21 |
| S50N-08-06 | 3/4x16 | NPT3/8x18 | 34 | 11.1 | 22 | 16.36x2.21 |
| S50N-08 | 3/4x16 | NPT1/2x14 | 40 | 11.1 | 30 | 16.36x2.21 |
| S50N-08-12 | 3/4x16 | NPT3/4x14 | 40.1 | 11.1 | 36 | 16.36x2.21 |
| S50N-10-06 | 7/8x14 | NPT1/2x18 | 41.5 | 12.7 | 30 | 19.18x2.46 |
| S50N-10-08 | 7/8x14 | NPT1/2x14 | 35.5 | 12.7 | 27 | 19.18x2.46 |
| S50N-10-12 | 7/8x14 | NPT3/4x14 | 41 | 12.7 | 36 | 19.18x2.46 |
| S50N-12-08 | 1 1/16x12 | NPT1/2x14 | 42 | 15.1 | 32 | 23.47x2.95 |
| S50N-12 | 1 1/16x12 | NPT3/4x14 | 45.5 | 15.1 | 36 | 23.47x2.95 |
| S50N-12-16 | 1 1/16x12 | NPT1x11.5 | 50.5 | 15.1 | 41 | 23.47x2.95 |
| S50N-16-12 | 1 5/16x12 | NPT3/4x14 | 43 | 15.1 | 38 | 29.74x2.95 |
| S50N-16 | 1 5/16x12 | NPT1x11.5 | 51.5 | 15.1 | 41 | 29.74x2.95 |
| S50N-20-16 | 1 5/16x12 | NPT1x11.5 | 40 | 15.1 | 50 | 29.74x2.95 |
| S50N-20 | 1 5/8x12 | NPT1 1/4x11.5 | 53.5 | 15.1 | 50 | 37.47x3 |
| S50N-24-16 | 1 7/8x12 | NPT1x11.5 | 34 | 15.1 | 55 | 43.69x3 |
| S50N-24-20 | 1 7/8x12 | NPT1 1/4x11.5 | 48 | 15.1 | 55 | 43.69x3 |
| S1NO-24 | 1 7/8x12 | NPT1 1/4x11.5 | 53.5 | 15.1 | 60 | 43.69x3 |
| S1NO-32 | 2 1/2x12 | NPT2x11.5 | 50 | 15.1 | 70 | 59.36x3 |

90° Bend SAE male thread O-ring light series / American taper pipe female thread

Characteristics

Structure type: Thread-Threaded connection
 Structure form: Right
 Connection 1: American taper pipe male thread
 Sealing form: O-ring seal
 Connection 2: American taper pipe female thread
 Sealing form: Thread seal
 Supply form: Connector body
 Standard: ISO11926-3/SAEJ476

Material: Carbon steel · Stainless steel · Copper
 Surface protection:
 Trivalent chromium environmental protection zinc layer
 Description:
 For instructions on assembly, embedding, and pressure load as well as allowable operating temperature, please refer to the technical information for fastening sleeve bolts



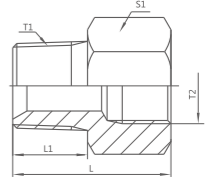
| Drawing No. | T1 | T2 | L1 | L2 | S1 | S2 | O-ring | Flat nut |
|---------------|-----------|---------------|------|------|----|----|------------|----------|
| S50N9-04OG | 7/16x20 | NPT1/4x18 | 31.5 | 22.4 | 16 | 17 | 9.17x1.83 | 8JL-04 |
| S50N9-05-04OG | 1/2x20 | NPT1/4x18 | 31.5 | 22.4 | 16 | 17 | 10.52x1.83 | 8JL-05 |
| S50N9-06OG | 9/16x18 | NPT3/8x18 | 36.5 | 26.5 | 22 | 19 | 11.89x1.98 | 8JL-06 |
| S50N9-06-04OG | 9/16x18 | NPT1/4x18 | 33.3 | 22.4 | 16 | 17 | 11.89x1.98 | 8JL-06 |
| S50N9-06-08OG | 9/16x18 | NPT1/2x14 | 40 | 31.2 | 27 | 19 | 11.89x1.98 | 8JL-06 |
| S50N9-08OG | 3/4x16 | NPT1/2x14 | 43 | 31.2 | 27 | 24 | 16.36x2.21 | 8JL-08 |
| S50N9-08-06OG | 3/4x16 | NPT3/8x18 | 40 | 26.5 | 22 | 24 | 16.36x2.21 | 8JL-08 |
| S50N9-08-12OG | 3/4x16 | NPT3/4x14 | 46.5 | 34.5 | 33 | 24 | 16.36x2.21 | 8JL-08 |
| S50N9-10-08OG | 7/8x14 | NPT1/2x14 | 48 | 31.2 | 27 | 27 | 19.18x2.46 | 8JL-10 |
| S50N9-12OG | 1 1/16x12 | NPT3/4x14 | 55 | 34.5 | 33 | 32 | 23.47x2.95 | 8JL-12 |
| S50N9-12-16OG | 1 1/16x12 | NPT1x11.5 | 59.5 | 41.1 | 41 | 32 | 23.47x2.95 | 8JL-12 |
| S50N9-16OG | 1 5/16x12 | NPT1x11.5 | 59.5 | 41.1 | 41 | 41 | 29.74x2.95 | 8JL-16 |
| S50N9-16-12OG | 1 5/16x12 | NPT3/4x14 | 56 | 34.5 | 33 | 41 | 29.74x2.95 | 8JL-16 |
| S50N9-20OG | 1 5/8x12 | NPT1 1/4x11.5 | 65 | 43.2 | 48 | 50 | 37.47x3 | 8JL-20 |

American taper pipe male thread / American SAE female thread

Characteristics

Structure type: Thread-Threaded connection
 Structure form: Through
 Connection 1: American taper pipe female thread
 Sealing form: Thread seal
 Connection 2: American SAE female thread
 Sealing form: O-ring seal
 Supply form: Connector body
 Standard: SAE J476/ISO11926-1

Material: Carbon steel · Stainless steel · Copper
 Surface protection:
 Trivalent chromium environmental protection zinc layer
 Description:
 For instructions on assembly, embedding, and pressure load as well as allowable operating temperature, please refer to the technical information for fastening sleeve bolts



| Drawing No. | T1 | T2 | L | L1 | S1 |
|-------------|---------------|-----------|------|------|----|
| S5NO-02-04 | NPT1/8x27 | 7/16x20 | 10.5 | 29.5 | 17 |
| S5NO-02-05 | NPT1/8x27 | 1/2x20 | 10.5 | 30.5 | 17 |
| S5NO-04 | NPT1/4x18 | 7/16x20 | 15 | 34 | 17 |
| S5NO-04-06 | NPT1/4x18 | 9/16x18 | 15 | 36 | 19 |
| S5NO-04-08 | NPT1/4x18 | 3/4x16 | 15 | 41 | 27 |
| S5NO-06-04 | NPT3/8x18 | 7/16x20 | 16 | 22 | 19 |
| S5NO-06 | NPT3/8x18 | 9/16x18 | 16 | 34.5 | 19 |
| S5NO-06-08 | NPT3/8x18 | 3/4x16 | 16 | 40 | 24 |
| S5NO-08-06 | NPT1/2x14 | 9/16x18 | 19.5 | 27.5 | 24 |
| S5NO-08 | NPT1/2x14 | 3/4x16 | 19.5 | 41.5 | 27 |
| S5NO-08-10 | NPT1/2x14 | 7/8x14 | 19.5 | 46.5 | 30 |
| S5NO-12-08 | NPT3/4x14 | 3/4x16 | 19.5 | 29.5 | 30 |
| S5NO-12-10 | NPT3/4x14 | 7/8x14 | 19.5 | 42.5 | 30 |
| S5NO-12 | NPT3/4x14 | 1 1/16x12 | 19.5 | 47 | 36 |
| S5NO-16-12 | NPT1x11.5 | 1 1/16x12 | 25.5 | 36.5 | 36 |
| S5NO-16 | NPT1x11.5 | 1 5/16x12 | 25.5 | 53 | 41 |
| S5NO-20 | NPT1 1/4x11.5 | 1 5/8x12 | 26.5 | 55.5 | 50 |

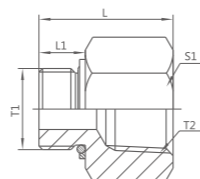
American taper pipe thread NPT connector

Britain pipe thread O-ring / American taper pipe female thread

Characteristics

Structure type: Thread-Threaded connection
 Structure form: Through
 Connection 1: British taper pipe male thread
 Sealing form: O-ring seal
 Connection 2: American taper pipe female thread
 Sealing form: Thread seal
 Supply form: Connector body
 Standard: ISO1179-3/SAE J476

Material: Carbon steel · Stainless steel · Copper
 Surface protection:
 Trivalent chromium environmental protection zinc layer
 Description:
 For instructions on assembly, embedding,
 and pressure load as well as allowable
 operating temperature, please refer to the
 technical information for fastening sleeve bolts



| Drawing No. | T1 | T2 | L | L1 | S1 |
|-------------|-----------|---------------|------|------|----|
| S5GN-02 | G1/8x28 | NPT1/8x27 | 24.5 | 9.5 | 17 |
| S5GN-02-04 | G1/8x28 | NPT1/4x18 | 29.5 | 9.5 | 19 |
| S5GN-04-02 | G1/4x18 | NPT1/8x27 | 26 | 11 | 19 |
| S5GN-04 | G1/4x18 | NPT1/4x18 | 31 | 11 | 19 |
| S5GN-04-06 | G1/4x18 | NPT3/8x18 | 33 | 11 | 22 |
| S5GN-06-04 | G3/8x18 | NPT1/4x18 | 30 | 11.5 | 22 |
| S5GN-06 | G3/8x18 | NPT3/8x14 | 35 | 11.5 | 22 |
| S5GN-08-04 | G1/2x14 | NPT1/4x18 | 27 | 14 | 27 |
| S5GN-08-06 | G1/2x14 | NPT3/8x18 | 34 | 14 | 27 |
| S5GN-08 | G1/2x14 | NPT1/2x14 | 43 | 14 | 30 |
| S5GN-12 | G3/4x14 | NPT3/4x14 | 44.5 | 15.5 | 36 |
| S5GN-16 | G1x11 | NPT1x11.5 | 54.5 | 18 | 41 |
| S5GN-20 | G1 1/4x11 | NPT1 1/4x11.5 | 55.5 | 20 | 50 |
| S5GN-24 | G1 1/2x11 | NPT1 1/2x11.5 | 57 | 21.5 | 60 |

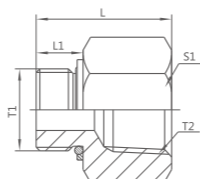
Remarks: For flat seal, add the letter "P" after the drawing number

Metric male thread light series / American taper pipe female thread

Characteristics

Structure type: Thread-Threaded connection
 Structure form: Through
 Connection 1: Metric male thread
 Sealing form: O-ring seal
 Connection 2: American taper pipe female thread
 Sealing form: Thread seal
 Supply form: Connector body
 Standard: ISO1179-3/SAE J476

Material: Carbon steel · Stainless steel · Copper
 Surface protection:
 Trivalent chromium environmental protection zinc layer
 Description:
 For instructions on assembly, embedding,
 and pressure load as well as allowable
 operating temperature, please refer to the
 technical information for fastening sleeve bolts



| Drawing No. | T1 | T2 | L | L1 | S1 | O-ring |
|-------------|---------|---------------|------|------|----|----------|
| S5HN-10-02 | M10x1 | NPT1/8x27 | 24 | 9.5 | 14 | 8.1x1.6 |
| S5HN-12-02 | M12x1.5 | NPT1/8x27 | 26 | 11 | 17 | 9.3x2.2 |
| S5HN-12-04 | M12x1.5 | NPT1/4x18 | 31.5 | 11 | 19 | 9.3x2.2 |
| S5HN-14-04 | M14x1.5 | NPT1/4x18 | 31.5 | 11 | 19 | 11.3x2.2 |
| S5HN-16-06 | M16x1.5 | NPT3/8x18 | 34.5 | 12.5 | 22 | 13.3x2.2 |
| S5HN-16-08 | M16x1.5 | NPT1/2x14 | 40 | 12.5 | 30 | 13.3x2.2 |
| S5HN-18-06 | M18x1.5 | NPT3/8x18 | 36.5 | 12.5 | 24 | 15.3x2.2 |
| S5HN-18-08 | M18x1.5 | NPT1/2x14 | 41.5 | 12.5 | 30 | 15.3x2.2 |
| S5HN-22-08 | M22x1.5 | NPT1/2x14 | 42.5 | 13 | 30 | 19.3x2.2 |
| S5HN-27-12 | M27x2 | NPT3/4x14 | 47.5 | 18.5 | 36 | 23.6x2.9 |
| S5HN-33-16 | M33x2 | NPT1x11.5 | 53.5 | 18.5 | 41 | 29.6x2.9 |
| S5HN-42-20 | M42x2 | NPT1 1/4x11.5 | 52 | 19 | 50 | 38.6x2.9 |
| S5HN-48-24 | M48x2 | NPT1 1/2x11.5 | 53 | 21.5 | 60 | 44.6x2.9 |

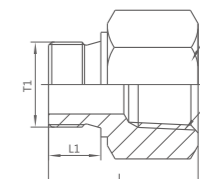
Note: Retainer ring is optional

Britain pipe thread O-ring / American taper pipe female thread

Characteristics

Structure type: Thread-Threaded connection
 Structure form: Through
 Connection 1: British taper pipe male thread
 Sealing form: O-ring seal
 Connection 2: American taper pipe female thread
 Sealing form: Thread seal
 Supply form: Connector body
 Standard: GB/T19674.2-2005/SAE J476

Material: Carbon steel · Stainless steel · Copper
 Surface protection:
 Trivalent chromium environmental protection zinc layer
 Description:
 For instructions on assembly, embedding,
 and pressure load as well as allowable
 operating temperature, please refer to the
 technical information for fastening sleeve bolts



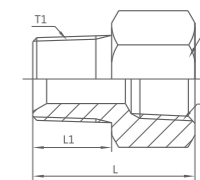
| Drawing No. | T1 | T2 | L | L1 | S1 |
|-------------|---------|-----------|------|----|----|
| S5LN-10-02 | M10x1 | NPT1/8x27 | 23 | 8 | 17 |
| S5LN-12-02 | M12x1.5 | NPT1/8x27 | 34.8 | 12 | 19 |
| S5LN-14-04 | M14x1.5 | NPT1/4x18 | 34.8 | 12 | 19 |
| S5LN-16-06 | M16x1.5 | NPT3/8x18 | 36.5 | 12 | 22 |
| S5LN-18-06 | M18x1.5 | NPT3/8x18 | 36.5 | 12 | 24 |
| S5LN-22-06 | M22x1.5 | NPT3/8x18 | 28 | 14 | 27 |
| S5LN-22-08 | M22x1.5 | NPT1/2x14 | 39 | 14 | 30 |
| S5LN-27-08 | M27x2 | NPT1/2x14 | 40 | 16 | 34 |
| S5LN-27-12 | M27x2 | NPT3/4x14 | 41 | 16 | 36 |
| S5LN-33-16 | M33x2 | NPT1x11.5 | 56.6 | 18 | 41 |

British taper pipe male thread / American taper pipe female thread

Characteristics

Structure type: Thread-Threaded connection
 Structure form: Through
 Connection 1: American taper pipe male thread
 Sealing form: O-ring seal
 Connection 2: American taper pipe female thread
 Sealing form: Thread seal
 Supply form: Connector body
 Standard: ISO7/SAE J476

Material: Carbon steel · Stainless steel · Copper
 Surface protection:
 Trivalent chromium environmental protection zinc layer
 Description:
 For instructions on assembly, embedding,
 and pressure load as well as allowable
 operating temperature, please refer to the
 technical information for fastening sleeve bolts



| Drawing No. | T1 | T2 | L | L1 | S1 |
|--------------|---------|-----------|------|------|----|
| S5TN-02SP | R1/8x28 | NPT1/8x27 | 25 | 10 | 17 |
| S5TN-04-02SP | R1/4x19 | NPT1/8x27 | 21.5 | 14.5 | 14 |
| S5TN-04SP | R1/4x19 | NPT1/4x18 | 34.5 | 14.5 | 19 |
| S5TN-06-04SP | R3/8x19 | NPT1/4x18 | 23 | 15 | 19 |
| S5TN-06SP | R3/8x19 | NPT3/8x18 | 36.5 | 15 | 24 |
| S5TN-08-06SP | R1/2x14 | NPT3/8x18 | 28.5 | 20 | 24 |
| S5TN-08SP | R1/2x14 | NPT1/2x14 | 47 | 20 | 30 |
| S5TN-12-08SP | R3/4x14 | NPT1/2x14 | 30.5 | 20 | 32 |
| S5TN-12SP | R3/4x14 | NPT3/4x14 | 49 | 20 | 36 |
| S5TN-16-12SP | R1x11 | NPT3/4x14 | 36.5 | 25.5 | 36 |
| S5TN-16SP | R1x11 | NPT1x11.5 | 60 | 25.5 | 41 |

British taper pipe thread NPT connector

British taper pipe thread NPT connector

SAE Flange joint

247 / 257

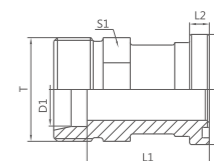
| | | | | | | |
|-----------------------------|-----------------------------|-----------------------------|-----------------------------|---------------------------|---------------------------|---------------------------|
| Q-GFL-L P/247 | Q-WFL-L P/247 | Q-GFS-S P/248 | Q-WFS-S P/248 | 1FFL P/249 | 1FFL9 P/249 | 1FFS P/249 |
| 1FFS9 P/250 | 1JFL P/250 | 1JFL4 P/251 | 1JFL9 P/251 | 1JFS P/252 | 1JFS4 P/252 | 1JFS9 P/253 |
| 1FLW P/253 | 1FSW P/254 | 4FL P/254 | 4FS-M P/255 | 4FL-M P/255 | 4FS P/255 | FL P/256 |
| FS P/256 | FL-W P/257 | FS-W P/257 | | | | |

Metric thread ferrule / light series flange

Characteristics

Structure type: Ferrule-Flange connection
Structure form: Through
Connection 1: Metric male thread
Sealing form: 24° inner cone seal
Connection 2: Split flange
Sealing form: O-Ring seal
Supply form: Connector body
Standard: GB/T3764/ISO6162-1/SAE J518

Material: Carbon steel · Stainless steel
Surface protection:
Trivalent chromium environmental protection zinc layer
Description:
For instructions on assembly, embedding,
and pressure load as well as allowable
operating temperature, please refer to the
technical information for fastening sleeve bolts



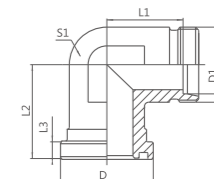
| Drawing No. | Thread T | Flange Model | Outer diameter of pipe D1 | D | L1 | L2 | S1 | Pressure grade MPa |
|-------------|----------|--------------|---------------------------|------|------|------|----|---------------------|
| Q-GFL15/08L | M22x1.5 | 1/2" | 15 | 30.2 | 41 | 6.7 | 24 | 31.5 Light series L |
| Q-GFL18/12L | M26x1.5 | 3/4" | 18 | 38.1 | 45.5 | 6.73 | 30 | 16 Light series L |
| Q-GFL22/12L | M30x2 | 3/4" | 22 | 38.1 | 45.5 | 6.7 | 32 | |
| Q-GFL28/16L | M36x2 | 1" | 28 | 44.4 | 46.5 | 8 | 38 | |
| Q-GFL35/20L | M45x2 | 1 1/4" | 35 | 50.8 | 47.5 | 8 | 41 | |
| Q-GFL42/24L | M52x2 | 1 1/2" | 42 | 60.3 | 53 | 8 | 46 | 35 Heavy series S |
| Q-GFL16/08L | M24x1.5 | 1/2" | 16 | 30.2 | 41.5 | 6.7 | 24 | |
| Q-GFL20/12L | M30x2 | 3/4" | 20 | 38.1 | 46.5 | 6.7 | 30 | |
| Q-GFL25/12L | M36x2 | 3/4" | 25 | 38.1 | 45 | 6.73 | 30 | |
| Q-GFL30/16L | M42x2 | 1" | 30 | 44.4 | 49.5 | 8 | 36 | 28 Heavy series S |
| Q-GFL25/20L | M36x2 | 1 1/4" | 25 | 50.8 | 48 | 8 | 41 | |
| Q-GFL30/20L | M42x2 | 1 1/4" | 30 | 50.8 | 48.5 | 8 | 41 | |
| Q-GFL38/20L | M52x2 | 1 1/4" | 38 | 50.8 | 50 | 8 | 46 | |
| Q-GFL38/24L | M52x2 | 1 1/2" | 38 | 60.3 | 54 | 8 | 46 | 21 Heavy series S |

90° Bend metric thread ferrule / light series flange

Characteristics

Structure type: Ferrule-Flange connection
Structure form: 90° Bend
Connection 1: Metric male thread
Sealing form: 24° inner cone seal
Connection 2: Split flange
Sealing form: O-Ring seal
Supply form: Connector body
Standard: GB/T3764/ISO6162-1/SAE J518

Material: Carbon steel · Stainless steel
Surface protection:
Trivalent chromium environmental protection zinc layer
Description:
For instructions on assembly, embedding,
and pressure load as well as allowable
operating temperature, please refer to the
technical information for fastening sleeve bolts



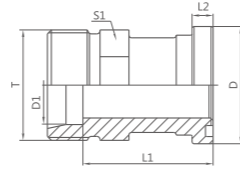
| Drawing No. | Thread T | Flange Model | Outer diameter of pipe D1 | D | L1 | L2 | L3 | S1 | Pressure grade MPa |
|-------------|----------|--------------|---------------------------|------|------|----|-----|----|---------------------|
| Q-WFL15/08L | M22x1.5 | 1/2" | 15 | 30.2 | 29 | 36 | 6.7 | 24 | 31.5 Light series L |
| Q-WFL18/12L | M26x1.5 | 3/4" | 18 | 38.1 | 31.5 | 42 | 6.7 | 30 | 16 Light series L |
| Q-WFL22/12L | M30x2 | 3/4" | 22 | 38.1 | 33.5 | 42 | 6.7 | 30 | |
| Q-WFL28/16L | M36x2 | 1" | 28 | 44.4 | 36.5 | 45 | 8 | 36 | |
| Q-WFL35/20L | M45x2 | 1 1/4" | 35 | 50.8 | 46.5 | 50 | 8 | 41 | |
| Q-WFL42/24L | M52x2 | 1 1/2" | 42 | 60.3 | 47 | 55 | 8 | 50 | 35 Heavy series S |
| Q-WFL16/08L | M24x1.5 | 1/2" | 16 | 30.2 | 29.5 | 36 | 6.7 | 24 | |
| Q-WFL20/12L | M30x2 | 3/4" | 20 | 38.1 | 32.5 | 42 | 6.7 | 30 | |
| Q-WFL25/12L | M36x2 | 3/4" | 25 | 38.1 | 33 | 42 | 6.7 | 30 | |
| Q-WFL30/16L | M42x2 | 1" | 30 | 44.4 | 36.5 | 45 | 8 | 36 | 28 Heavy series S |
| Q-WFL25/20L | M36x2 | 1 1/4" | 25 | 50.8 | 43 | 50 | 8 | 41 | |
| Q-WFL30/20L | M42x2 | 1 1/4" | 30 | 50.8 | 43.5 | 50 | 8 | 41 | |
| Q-WFL38/20L | M52x2 | 1 1/4" | 38 | 50.8 | 43 | 50 | 8 | 41 | |
| Q-WFL38/24L | M52x2 | 1 1/2" | 38 | 60.3 | 48 | 55 | 8 | 50 | 21 Heavy series S |

Metric thread ferrule / heavy series flange

Characteristics

Structure type: Ferrule-Flange connection
 Structure form: Through
 Connection 1: Metric male thread
 Sealing form: 24° inner cone seal
 Connection 2: Split flange
 Sealing form: O-Ring seal
 Supply form: Connector body
 Standard: GB/T3764/ISO6162-2/SAE J518

Material: Carbon steel · Stainless steel
 Surface protection:
 Trivalent chromium environmental protection zinc layer
 Description:
 For instructions on assembly, embedding,
 and pressure load as well as allowable
 operating temperature, please refer to the
 technical information for fastening sleeve bolts



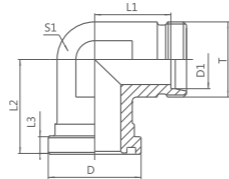
| Drawing No. | Thread T | Flange Model | Outer diameter of pipe D1 | D | L1 | L2 | S1 | Pressure grade MPa |
|-------------|----------|--------------|---------------------------|------|------|------|----|---------------------|
| Q-GFS16/08S | M24x1.5 | 1/2" | 16 | 31.7 | 44.5 | 7.8 | 24 | 40 Heavy series S |
| Q-GFS16/12S | M24x1.5 | 3/4" | 16 | 41.3 | 50.5 | 8.8 | 30 | |
| Q-GFS20/12S | M30x2 | 3/4" | 20 | 41.3 | 50.5 | 8.8 | 30 | |
| Q-GFS25/12S | M36x2 | 3/4" | 25 | 41.3 | 51 | 8.8 | 30 | |
| Q-GFS25/16S | M42x2 | 1" | 25 | 47.6 | 60 | 9.5 | 36 | |
| Q-GFS30/16S | M36x2 | 1" | 30 | 47.6 | 60.5 | 9.5 | 36 | |
| Q-GFS30/20S | M42x2 | 1 1/4" | 30 | 54 | 65.5 | 10.3 | 41 | 31.5 Heavy series S |
| Q-GFS38/20S | M52x2 | 1 1/4" | 38 | 54 | 67 | 10.3 | 46 | |
| Q-GFS38/24S | M52x2 | 1 1/2" | 38 | 63.5 | 73 | 12.6 | 46 | |

90° Bend Metric Thread Ferrule / Heavy Series Flange

Characteristics

Structure type: Ferrule-Flange connection
 Structure form: 90° Bend
 Connection 1: Metric male thread
 Sealing form: 24° inner cone seal
 Connection 2: Split flange
 Sealing form: O-Ring seal
 Supply form: Connector body
 Standard: GB/T3764/ISO6162-2/SAE J518

Material: Carbon steel · Stainless steel
 Surface protection:
 Trivalent chromium environmental protection zinc layer
 Description:
 For instructions on assembly, embedding,
 and pressure load as well as allowable
 operating temperature, please refer to the
 technical information for fastening sleeve bolts



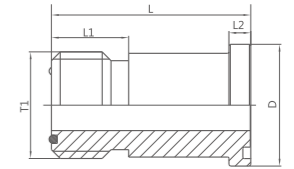
| Drawing No. | Thread T | Flange Model | Outer diameter of pipe D1 | D | L1 | L2 | L3 | S1 | Pressure grade MPa |
|-------------|----------|--------------|---------------------------|------|------|----|------|----|---------------------|
| Q-WFS16/08S | M24x1.5 | 1/2" | 16 | 31.7 | 29.5 | 39 | 7.8 | 24 | 40 Light series S |
| Q-WFS16/12S | M24x1.5 | 3/4" | 16 | 41.3 | 36.5 | 48 | 8.8 | 32 | |
| Q-WFS20/12S | M30x2 | 3/4" | 20 | 41.3 | 35.5 | 48 | 8.8 | 32 | |
| Q-WFS25/12S | M36x2 | 3/4" | 25 | 41.3 | 36 | 48 | 8.8 | 32 | |
| Q-WFS25/16S | M36x2 | 1" | 25 | 47.6 | 41 | 60 | 9.5 | 41 | |
| Q-WFS30/16S | M42x2 | 1" | 30 | 47.6 | 41.5 | 60 | 9.5 | 41 | |
| Q-WFS30/20S | M42x2 | 1 1/4" | 30 | 54 | 44.5 | 68 | 10.3 | 46 | 31.5 Heavy series S |
| Q-WFS38/20S | M52x2 | 1 1/4" | 38 | 54 | 45 | 68 | 10.3 | 46 | |
| Q-WFS38/24S | M52x2 | 1 1/2" | 38 | 63.5 | 46 | 76 | 12.6 | 50 | |

American ORFS male thread O-ring flat seal / light series flange

Characteristics

Structure type: Thread-Flange connection
 Structure form: Through
 Connection 1: American male thread
 Sealing form: O-Ring plane seal
 Connection 2: Split flange
 Sealing form: O-Ring seal
 Supply form: Connector body
 Standard: ISO8434-3/ISO6162-1/SAE J518

Material: Carbon steel · Stainless steel
 Surface protection:
 Trivalent chromium environmental protection zinc layer
 Description:
 For instructions on assembly, embedding,
 and pressure load as well as allowable
 operating temperature, please refer to the
 technical information for fastening sleeve bolts



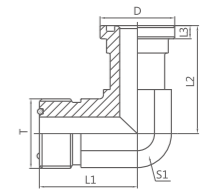
| Drawing No. | Thread T | Flange Model | L | L1 | L2 | D | T end O-Ring |
|-------------|------------|--------------|------|------|------|------|--------------|
| 1FFL-12 | 1 3/16x12 | 3/4" | 41.3 | 17 | 6.73 | 38.1 | 18.77X1.87 |
| 1FFL-16 | 1 7/16x12 | 1" | 41.3 | 17.5 | 8 | 44.4 | 26.97X1.87 |
| 1FFL-20 | 1 11/16x12 | 1 1/4" | 41.3 | 17.5 | 8 | 50.8 | 33.38X1.87 |
| 1FFL-24 | 2x12 | 1 1/2" | 47.6 | 17.5 | 8 | 60.3 | 41.3X1.87 |

90° Bend American ORFS Male Thread O-ring Face Seal / Light Series Flange

Characteristics

Structure type: Thread-Flange connection
 Structure form: 90° Bend
 Connection 1: American male thread
 Sealing form: O-Ring plane seal
 Connection 2: Split flange
 Sealing form: O-Ring seal
 Supply form: Connector body
 Standard: ISO8434-3/ISO6162-1/SAE J518

Material: Carbon steel · Stainless steel
 Surface protection:
 Trivalent chromium environmental protection zinc layer
 Description:
 For instructions on assembly, embedding,
 and pressure load as well as allowable
 operating temperature, please refer to the
 technical information for fastening sleeve bolts



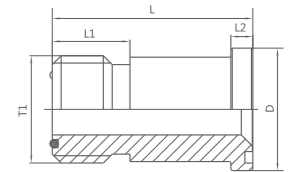
| Drawing No. | Thread T | Flange Model | L1 | L2 | L3 | D | S1 | T end O-Ring |
|-------------|------------|--------------|------|------|------|------|----|--------------|
| 1FFL9-12 | 1 3/16x12 | 3/4" | 41 | 54.1 | 6.73 | 38.1 | 30 | 18.77X1.87 |
| 1FFL9-16 | 1 7/16x12 | 1" | 44.5 | 60.2 | 8 | 44.4 | 36 | 26.97X1.87 |
| 1FFL9-20 | 1 11/16x12 | 1 1/4" | 47.5 | 66.5 | 8 | 50.8 | 41 | 33.38X1.87 |
| 1FFL9-24 | 2x12 | 1 1/2" | 52 | 79.5 | 8 | 60.3 | 48 | 41.3X1.87 |

American ORFS male thread O-ring flat seal / heavy series flange

Characteristics

Structure type: Thread-Flange connection
 Structure form: Through
 Connection 1: American male thread
 Sealing form: O-Ring plane seal
 Connection 2: Split flange
 Sealing form: O-Ring seal
 Supply form: Connector body
 Standard: ISO8434-3/ISO6162-2/SAE J518

Material: Carbon steel · Stainless steel
 Surface protection:
 Trivalent chromium environmental protection zinc layer
 Description:
 For instructions on assembly, embedding,
 and pressure load as well as allowable
 operating temperature, please refer to the
 technical information for fastening sleeve bolts



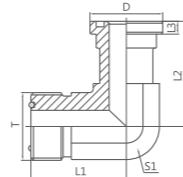
| Drawing No. | Thread T | Flange Model | L | L1 | L2 | D | T end O-Ring |
|-------------|------------|--------------|------|------|-------|------|--------------|
| 1FFS-12 | 1 3/16x12 | 3/4" | 51.8 | 17 | 8.76 | 41.3 | 18.77X1.87 |
| 1FFS-16 | 1 7/16x12 | 1" | 57.2 | 17.5 | 9.53 | 47.6 | 26.97X1.87 |
| 1FFS-20 | 1 11/16x12 | 1 1/4" | 62 | 17.5 | 10.29 | 54 | 33.38X1.87 |
| 1FFS-24 | 2x12 | 1 1/2" | 66.8 | 17.5 | 12.57 | 63.5 | 41.3X1.87 |

90° Bend American ORFS Male Thread O-ring Face Seal / Heavy Series Flange

Characteristics

Structure type: Thread-Flange connection
 Structure form: 90° Bend
 Connection 1: American male thread
 Sealing form: O-Ring plane seal
 Connection 2: Split flange
 Sealing form: O-Ring seal
 Supply form: Connector body
 Standard: ISO8434-3/ISO6162-2/SAE J518

Material: Carbon steel · Stainless steel
 Surface protection: Trivalent chromium environmental protection zinc layer
 Description: For instructions on assembly, embedding, and pressure load as well as allowable operating temperature, please refer to the technical information for fastening sleeve bolts



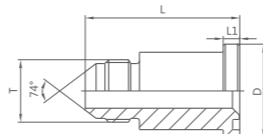
| Drawing No. | Thread T | Flange Model | L1 | L2 | L3 | D | S1 | T end O-Ring |
|-------------|------------|--------------|------|------|-------|------|----|--------------|
| 1FFL9-12 | 1 3/16x12 | 3/4" | 40.3 | 54.1 | 8.76 | 41.3 | 30 | 18.77X1.87 |
| 1FFL9-16 | 1 7/16x12 | 1" | 44.5 | 60.2 | 9.53 | 47.6 | 36 | 26.97X1.87 |
| 1FFL9-20 | 1 11/16x12 | 1 1/4" | 47.5 | 66.5 | 10.29 | 54 | 41 | 33.38X1.87 |
| 1FFL9-24 | 2x12 | 1 1/2" | 52 | 79.5 | 12.57 | 63.5 | 48 | 41.3X1.87 |

American JIC male thread 74° outer cone / light series flange

Characteristics

Structure type: Thread-Flange connection
 Structure form: Through
 Connection 1: American male thread
 Sealing form: 74° cone seal
 Connection 2: Split flange
 Sealing form: O-Ring seal
 Supply form: Connector body
 Standard: ISO8434-2/ISO6162-1SAE J518

Material: Carbon steel · Stainless steel
 Surface protection: Trivalent chromium environmental protection zinc layer
 Description: For instructions on assembly, embedding, and pressure load as well as allowable operating temperature, please refer to the technical information for fastening sleeve bolts



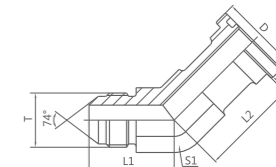
| Drawing No. | Thread T | Flange Model | L | L1 | D |
|-------------|-----------|--------------|------|------|------|
| 1JFL-08 | 3/4x16 | 1/2" | 43.5 | 6.73 | 30.2 |
| 1JFL-08-12 | 3/4x16 | 3/4" | 45.4 | 6.73 | 38.1 |
| 1JFL-10-08 | 7/8x14 | 1/2" | 48 | 6.73 | 30.2 |
| 1JFL-10-12 | 7/8x14 | 3/4" | 48 | 6.73 | 38.1 |
| 1JFL-12-08 | 1 1/16x12 | 1/2" | 49 | 6.73 | 30.2 |
| 1JFL-12 | 1 1/16x12 | 3/4" | 50.5 | 6.73 | 38.1 |
| 1JFL-12-16 | 1 1/16x12 | 1" | 52.2 | 8 | 44.4 |
| 1JFL-16-12 | 1 5/16x12 | 3/4" | 52 | 6.73 | 38.1 |
| 1JFL-16 | 1 5/16x12 | 1" | 53.4 | 8 | 44.4 |
| 1JFL-16-20 | 1 5/16x12 | 1 1/4" | 52.2 | 8 | 50.8 |
| 1JFL-20-16 | 1 5/8x12 | 1" | 54.5 | 8 | 44.4 |
| 1JFL-20 | 1 5/8x12 | 1 1/4" | 53.1 | 8 | 50.8 |
| 1JFL-20-24 | 1 5/8x12 | 1 1/2" | 56 | 8 | 60.3 |
| 1JFL-24-20 | 1 7/8x12 | 1 1/4" | 56.5 | 8 | 50.8 |
| 1JFL-24 | 1 7/8x12 | 1 1/2" | 59.2 | 8 | 60.3 |
| 1JFL-24-32 | 1 7/8x12 | 2" | 60 | 9.53 | 71.4 |
| 1JFL-32 | 2 1/2x12 | 2" | 66.3 | 9.53 | 71.4 |

45° Bend American JIC Male Thread 74° Outer Cone / Light Series Flange

Characteristics

Structure type: Thread-Flange connection
 Structure form: 45° Bend
 Connection 1: American male thread
 Sealing form: 74° cone seal
 Connection 2: Split flange
 Sealing form: O-Ring seal
 Supply form: Connector body
 Standard: ISO8434-2/ISO6162-1/SAE J518

Material: Carbon steel · Stainless steel
 Surface protection: Trivalent chromium environmental protection zinc layer
 Description: For instructions on assembly, embedding, and pressure load as well as allowable operating temperature, please refer to the technical information for fastening sleeve bolts



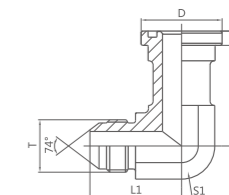
| Drawing No. | Thread T | Flange Model | L1 | L2 | L3 | D | S1 |
|-------------|-----------|--------------|------|------|------|------|----|
| 1JFL4-08 | 3/4x16 | 1/2" | 27 | 37 | 6.73 | 30.2 | 19 |
| 1JFL4-10-08 | 7/8x14 | 1/2" | 31 | 37 | 6.73 | 30.2 | 22 |
| 1JFL4-10-12 | 7/8x14 | 3/4" | 32 | 40.1 | 6.73 | 38.1 | 27 |
| 1JFL4-12 | 1 1/16x12 | 3/4" | 35.5 | 40.1 | 6.73 | 38.1 | 27 |
| 1JFL4-12-16 | 1 1/16x12 | 1" | 37.5 | 47 | 8 | 44.4 | 33 |
| 1JFL4-16 | 1 5/16x12 | 1" | 38.5 | 47 | 8 | 44.4 | 33 |
| 1JFL4-16-12 | 1 5/16x12 | 3/4" | 38.5 | 42 | 6.73 | 38.1 | 33 |
| 1JFL4-16-20 | 1 5/16x12 | 1 1/4" | 42 | 51.8 | 8 | 50.8 | 41 |
| 1JFL4-20 | 1 5/8x12 | 1 1/4" | 43.5 | 51.8 | 8 | 50.8 | 41 |
| 1JFL4-20-16 | 1 5/8x12 | 1" | 43 | 51 | 8 | 44.4 | 41 |
| 1JFL4-20-24 | 1 5/8x12 | 1 1/2" | 46 | 60.5 | 8 | 60.3 | 48 |
| 1JFL4-24-20 | 1 7/8x12 | 1 1/4" | 49 | 54 | 8 | 50.8 | 48 |
| 1JFL4-24 | 1 7/8x12 | 1 1/2" | 49 | 60.5 | 8 | 60.3 | 48 |
| 1JFL4-32 | 2 1/2x12 | 2" | 58 | 76.2 | 9.53 | 71.4 | 63 |

90° Bend American JIC Male Thread 74° Outer Cone / Light Series Flange

Characteristics

Structure type: Thread-Flange connection
 Structure form: 90° Bend
 Connection 1: American male thread
 Sealing form: 74° cone seal
 Connection 2: Split flange
 Sealing form: O-Ring seal
 Supply form: Connector body
 Standard: ISO8434-2/ISO6162-1/SAE J518

Material: Carbon steel · Stainless steel
 Surface protection: Trivalent chromium environmental protection zinc layer
 Description: For instructions on assembly, embedding, and pressure load as well as allowable operating temperature, please refer to the technical information for fastening sleeve bolts



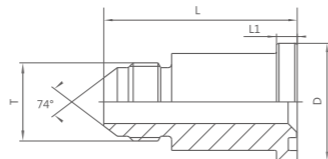
| Drawing No. | Thread T | Flange Model | L1 | L2 | L3 | D | S1 |
|-------------|-----------|--------------|------|------|------|------|----|
| 1JFL9-08 | 3/4x16 | 1/2" | 32.5 | 44 | 6.73 | 30.2 | 19 |
| 1JFL9-08-12 | 3/4x16 | 3/4" | 38 | 54.1 | 6.73 | 38.1 | 27 |
| 1JFL9-10-08 | 7/8x14 | 1/2" | 37.5 | 44 | 6.73 | 30.2 | 22 |
| 1JFL9-10-12 | 7/8x14 | 3/4" | 41 | 54.1 | 6.73 | 38.1 | 27 |
| 1JFL9-12 | 1 1/16x12 | 3/4" | 44.5 | 54.1 | 6.73 | 38.1 | 27 |
| 1JFL9-12-16 | 1 1/16x12 | 1" | 48 | 60.2 | 8 | 44.4 | 33 |
| 1JFL9-16 | 1 5/16x12 | 1" | 49 | 60.2 | 8 | 44.4 | 33 |
| 1JFL9-16-12 | 1 5/16x12 | 3/4" | 49 | 58 | 6.73 | 38.1 | 33 |
| 1JFL9-16-20 | 1 5/16x12 | 1 1/4" | 54 | 66.5 | 8 | 50.8 | 41 |
| 1JFL9-20 | 1 5/8x12 | 1 1/4" | 55.5 | 66.5 | 8 | 50.8 | 41 |
| 1JFL9-20-16 | 1 5/8x12 | 1" | 55.5 | 65 | 8 | 44.4 | 41 |
| 1JFL9-20-24 | 1 5/8x12 | 1 1/2" | 60 | 79.3 | 8 | 60.3 | 48 |
| 1JFL9-24 | 1 7/8x12 | 1 1/2" | 62.5 | 79.3 | 8 | 60.3 | 48 |
| 1JFL9-24-20 | 1 7/8x12 | 1 1/4" | 62.5 | 75.5 | 8 | 50.8 | 48 |
| 1JFL9-24-32 | 1 7/8x12 | 2" | 74.5 | 108 | 9.53 | 60.3 | 63 |
| 1JFL9-32 | 2 1/2x12 | 2" | 80 | 108 | 9.53 | 71.4 | 63 |

American JIC male thread 74° outer cone / heavy series flange

Characteristics

Structure type: Thread-Flange connection
 Structure form: Through
 Connection 1: American male thread
 Sealing form: 74° cone seal
 Connection 2: Split flange
 Sealing form: O-Ring seal
 Supply form: Connector body
 Standard: ISO8434-3/ISO6162-2/SAE J518

Material: Carbon steel · Stainless steel
 Surface protection:
 Trivalent chromium environmental protection zinc layer
 Description:
 For instructions on assembly, embedding,
 and pressure load as well as allowable
 operating temperature, please refer to the
 technical information for fastening sleeve bolts



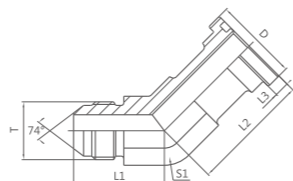
| Drawing No. | Thread T | Flange Model | L | L1 | D |
|-------------|-----------|--------------|------|-------|------|
| 1JFS-08 | 3/4x16 | 1/2" | 47.5 | 7.75 | 31.7 |
| 1JFS-10-08 | 7/8x14 | 1/2" | 50 | 7.75 | 31.7 |
| 1JFS-10-12 | 7/8x14 | 3/4" | 55 | 8.76 | 41.3 |
| 1JFS-12 | 1 1/16x12 | 3/4" | 56.7 | 8.76 | 41.3 |
| 1JFS-12-16 | 1 1/16x12 | 1" | 61.5 | 9.53 | 47.6 |
| 1JFS-16-12 | 1 5/16x12 | 3/4" | 57.8 | 8.76 | 41.3 |
| 1JFS-16 | 1 5/16x12 | 1" | 62.8 | 9.53 | 47.6 |
| 1JFS-16-20 | 1 5/16x12 | 1 1/4" | 67.7 | 10.29 | 54 |
| 1JFS-20-16 | 1 5/8x12 | 1" | 64 | 9.53 | 47.6 |
| 1JFS-20 | 1 5/8x12 | 1 1/4" | 68.9 | 10.29 | 54 |
| 1JFS-20-24 | 1 5/8x12 | 1 1/2" | 73.5 | 12.57 | 63.5 |
| 1JFS-24-20 | 1 7/8x12 | 1 1/4" | 72 | 10.29 | 54 |
| 1JFS-24 | 1 7/8x12 | 1 1/2" | 76.7 | 12.57 | 63.5 |

45° Bend American JIC Male Thread 74° Outer Cone / Heavy Series Flange

Characteristics

Structure type: Thread-Flange connection
 Structure form: 45° Bend
 Connection 1: American male thread
 Sealing form: 74° cone seal
 Connection 2: Split flange
 Sealing form: O-Ring seal
 Supply form: Connector body
 Standard: ISO8434-2/ISO6162-2/SAE J518

Material: Carbon steel · Stainless steel
 Surface protection:
 Trivalent chromium environmental protection zinc layer
 Description:
 For instructions on assembly, embedding,
 and pressure load as well as allowable
 operating temperature, please refer to the
 technical information for fastening sleeve bolts



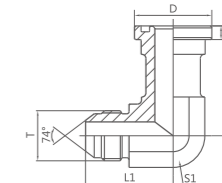
| Drawing No. | Thread T | Flange Model | L1 | L2 | L3 | D | S1 |
|-------------|-----------|--------------|------|------|-------|------|----|
| 1JFS4-08 | 3/4x16 | 1/2" | 27 | 38 | 7.75 | 31.7 | 19 |
| 1JFS4-10-08 | 7/8x14 | 1/2" | 31 | 39 | 7.75 | 31.7 | 22 |
| 1JFS4-10-12 | 7/8x14 | 3/4" | 32.5 | 40.1 | 8.76 | 41.3 | 27 |
| 1JFS4-12 | 1 1/16x12 | 3/4" | 35.5 | 40.1 | 8.76 | 41.3 | 27 |
| 1JFS4-12-16 | 1 1/16x12 | 1" | 37.5 | 47 | 9.53 | 47.6 | 33 |
| 1JFS4-16 | 1 5/16x12 | 1" | 38.5 | 47 | 9.53 | 47.6 | 33 |
| 1JFS4-16-12 | 1 5/16x12 | 3/4" | 38.5 | 45 | 8.76 | 41.3 | 33 |
| 1JFS4-16-20 | 1 5/16x12 | 1 1/4" | 42 | 52 | 10.29 | 54 | 41 |
| 1JFS4-20 | 1 5/8x12 | 1 1/4" | 43 | 52 | 10.29 | 54 | 41 |
| 1JFS4-20-16 | 1 5/8x12 | 1" | 43 | 52 | 9.53 | 47.6 | 41 |
| 1JFS4-20-24 | 1 5/8x12 | 1 1/2" | 46 | 60.5 | 12.57 | 63.5 | 48 |
| 1JFS4-24 | 1 7/8x12 | 1 1/2" | 49 | 60.5 | 12.57 | 63.5 | 48 |

90° Bend American JIC male thread 74° outer cone / heavy series flange

Characteristics

Structure type: Thread-Flange connection
 Structure form: 90° Bend
 Connection 1: American male thread
 Sealing form: 74° cone seal
 Connection 2: Split flange
 Sealing form: O-Ring seal
 Supply form: Connector body
 Standard: ISO8434-2/ISO6162-2/SAE J518

Material: Carbon steel · Stainless steel
 Surface protection:
 Trivalent chromium environmental protection zinc layer
 Description:
 For instructions on assembly, embedding,
 and pressure load as well as allowable
 operating temperature, please refer to the
 technical information for fastening sleeve bolts



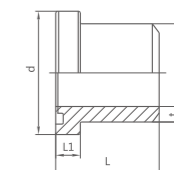
| Drawing No. | Thread T | Flange Model | L1 | L2 | L3 | D | S1 |
|-------------|-----------|--------------|------|------|-------|------|----|
| 1JFS9-08 | 3/4x16 | 1/2" | 32.5 | 44 | 7.75 | 31.7 | 19 |
| 1JFS9-10-08 | 7/8x14 | 1/2" | 37.5 | 46 | 7.75 | 31.7 | 22 |
| 1JFS9-10-12 | 7/8x14 | 3/4" | 41 | 54.1 | 8.76 | 41.3 | 27 |
| 1JFS9-12 | 1 1/16x12 | 3/4" | 44.2 | 54.1 | 8.76 | 41.3 | 27 |
| 1JFS9-12-16 | 1 1/16x12 | 1" | 48 | 60.2 | 9.6 | 47.6 | 33 |
| 1JFS9-16 | 1 5/16x12 | 1" | 49 | 60.2 | 9.53 | 47.6 | 33 |
| 1JFS9-16-12 | 1 5/16x12 | 3/4" | 49 | 57 | 8.76 | 41.3 | 33 |
| 1JFS9-16-20 | 1 5/16x12 | 1 1/4" | 54 | 66.5 | 10.29 | 54 | 41 |
| 1JFS9-20 | 1 5/8x12 | 1 1/4" | 55.5 | 66.5 | 10.29 | 54 | 41 |
| 1JFS9-20-16 | 1 5/8x12 | 1" | 55.5 | 65 | 9.53 | 47.6 | 41 |
| 1JFS9-20-24 | 1 5/8x12 | 1 1/2" | 59.5 | 79.3 | 12.57 | 63.5 | 48 |
| 1JFS9-24 | 1 7/8x12 | 1 1/2" | 62.5 | 79.3 | 12.57 | 63.5 | 48 |
| 1JFS9-24-20 | 1 7/8x12 | 1 1/4" | 62.5 | 70 | 10.29 | 54 | 48 |

Light series flange / welded pipe

Characteristics

Structure type: Flange connection
 Structure form: Through
 Connection : Split flange
 Sealing form: O-Ring seal
 Supply form: Connector body
 Standard: ISO6162-1/SAE J518
 Material: Carbon steel · Stainless steel

Surface protection:
 Trivalent chromium environmental protection zinc layer
 Description:
 For instructions on assembly, embedding,
 and pressure load as well as allowable
 operating temperature, please refer to the
 technical information for fastening sleeve bolts



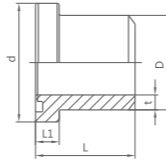
| Drawing No. | Flange Model | D×t | d | D | L | L1 | Pressure grade MPa |
|----------------|--------------|--------|-------|----|----|-----|--------------------|
| 1FLW-08-16x21 | 1/2" | 16x2 | 30.2 | 16 | 41 | 6.8 | 34.5 |
| FLW-08-20x2.51 | 1/2" | 20x2.5 | | 20 | | | |
| FLW-12-25x31 | 3/4" | 25x3 | 38.1 | 25 | 50 | 6.8 | |
| FLW-16-25x31 | 1" | 25x3 | | 25 | | | |
| FLW-16-28x31 | 1" | 28x3 | | 28 | | | |
| FLW-16-30x41 | 1" | 30x4 | 44.4 | 30 | 50 | 8 | |
| FLW-16-38x51 | 1" | 38x5 | | 38 | | | |
| FLW-20-25x3 | 1 1/4" | 25x3 | | 25 | | | |
| 1FLW-20-30x41 | 1 1/4" | 30x4 | 50.8 | 30 | 55 | 8 | |
| FLW-20-38x51 | 1 1/4" | 38x5 | | 38 | | | |
| FLW-20-42x61 | 1 1/4" | 42x6 | | 42 | | | |
| FLW-24-38x41 | 1 1/2" | 38x4 | 60.3 | 38 | 57 | 8 | |
| FLW-24-42x51 | 1 1/2" | 42x5 | | 42 | | | |
| FLW-24-45x51 | 1 1/2" | 45x5 | | 45 | | | |
| FLW-24-50x61 | 1 1/2" | 50x6 | 71.4 | 50 | 57 | 9.6 | |
| FLW-32-55x51 | 2" | 55x5 | | 55 | | | |
| FLW-32-60x81 | 2" | 60x8 | | 60 | | | |
| FLW-40-65x61 | 2 1/2" | 65x6 | 84.1 | 65 | 58 | 9.6 | |
| FLW-40-70x7.51 | 2 1/2" | 70x7.5 | | 70 | | | |
| FLW-48-80x61 | 3" | 80x6 | | 80 | | | |
| FLW-48-90x8 | 3" | 90x8 | 101.6 | 90 | 58 | 9.6 | 13.8 |

Heavy series flange / welded pipe

Characteristics

Structure type: Flange connection
 Structure form: Through
 Connection 1: Split flange
 Sealing form: O-Ring seal
 Supply form: Connector body
 Standard: ISO6162-2/SAE J518
 Material: Carbon steel · Stainless steel

Surface protection:
 Pickling phosphating and antirust oil treatment
 Description:
 For instructions on assembly, embedding,
 and pressure load as well as allowable
 operating temperature, please refer to the
 technical information for fastening sleeve bolts



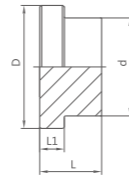
| Drawing No. | Flange Model | D×t | d | D | L | L1 | Pressure grade MPa |
|----------------|--------------|--------|------|----|------|------|--------------------|
| 1FSW-08-16x2 | 1/2" | 16x2 | 31.7 | 16 | 34 | 7.8 | 40 |
| 1FSW-08-20x2.5 | 1/2" | 20x2.5 | | 20 | | | |
| 1FSW-12-16x2 | 3/4" | 16x2 | 41.3 | 16 | 38 | 8.8 | |
| 1FSW-12-20x2.5 | 3/4" | 20x2.5 | | 20 | | | |
| 1FSW-12-25x4 | 3/4" | 25x4 | | 25 | | | |
| 1FSW-16-25x3 | 1" | 25x3 | 47.6 | 25 | 40 | 9.5 | |
| 1FSW-16-30x4 | 1" | 30x4 | | 30 | | | |
| 1FSW-16-38x5 | 1" | 38x5 | | 38 | | | |
| 1FSW-20-25x3 | 1 1/4" | 25x3 | 54 | 25 | 10.3 | 54 | |
| 1FSW-20-30x4 | 1 1/4" | 30x4 | | 30 | | | |
| 1FSW-20-38x5 | 1 1/4" | 38x5 | | 38 | | | |
| 1FSW-20-42x6 | 1 1/4" | 42x6 | 63.5 | 42 | 12.6 | 63.5 | |
| 1FSW-24-38x5 | 1 1/2" | 38x5 | | 38 | | | |
| 1FSW-24-45x6.5 | 1 1/2" | 45x6.5 | | 45 | | | |
| 1FSW-24-48x8 | 1 1/2" | 48x8 | | 48 | | | |
| 1FSW-24-50x8 | 1 1/2" | 50x8 | | 50 | | | |
| 1FSW-32-60x8 | 2" | 60x8 | 79.4 | 60 | 12.6 | 79.4 | |
| 1FSW-32-60x10 | 2" | 60x10 | | 60 | | | |

Light series flat flange plug

Characteristics

Structure type: Flange connection
 Structure form: Through
 Connection 1: Split flange
 Sealing form: O-Ring seal
 Supply form: Connector body
 Standard: ISO6162-1/SAE J518
 Material: Carbon steel · Stainless steel

Surface protection:
 Trivalent chromium environmental protection zinc layer
 Description:
 For instructions on assembly, embedding,
 and pressure load as well as allowable
 operating temperature, please refer to the
 technical information for fastening sleeve bolts



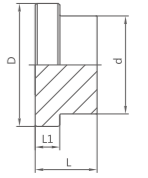
| Drawing No. | Flange Model | D | d | L | L1 | Pressure grade MPa |
|-------------|--------------|-------|------|----|-----|--------------------|
| 4FL-08M | 1/2" | 30.2 | 24 | 16 | 6.8 | 34.5 |
| 4FL-12M | 3/4" | 38.1 | 31.5 | 17 | 6.8 | |
| 4FL-16M | 1" | 44.4 | 38 | 17 | 8 | |
| 4FL-20M | 1 1/4" | 50.8 | 43 | 17 | 8 | 27.6 |
| 4FL-24M | 1 1/2" | 60.3 | 50 | 19 | 8 | 20.7 |
| 4FL-32M | 2" | 71.4 | 62 | 19 | 9.6 | |
| 4FL-40M | 2 1/2" | 84.1 | 74 | 40 | 9.6 | 17.2 |
| 4FL-48M | 3" | 101.6 | 90 | 45 | 9.6 | 13.8 |

Heavy series flat flange plug

Characteristics

Structure type: Flange connection
 Structure form: Through
 Connection 1: Split flange
 Sealing form: O-Ring seal
 Supply form: Connector body
 Standard: ISO6162-1/SAE J518
 Material: Carbon steel · Stainless steel

Surface protection:
 Trivalent chromium environmental protection zinc layer
 Description:
 For instructions on assembly, embedding,
 and pressure load as well as allowable
 operating temperature, please refer to the
 technical information for fastening sleeve bolts



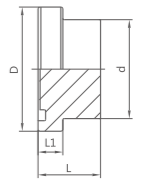
| Drawing No. | Thread T | D | d | L | L1 | Pressure grade MPa |
|-------------|----------|------|----|----|------|--------------------|
| 4FS-08M | 1/2" | 31.8 | 24 | 18 | 7.8 | 42 |
| 4FS-12M | 3/4" | 41.3 | 32 | 15 | 8.8 | |
| 4FS-16M | 1" | 47.6 | 38 | 16 | 9.5 | |
| 4FS-20M | 1 1/4" | 54 | 44 | 16 | 10.3 | |
| 4FS-24M | 1 1/2" | 63.5 | 51 | 19 | 12.6 | |
| 4FS-32M | 2" | 79.4 | 67 | 30 | 12.6 | |

Light series flange plug

Characteristics

Structure type: Flange connection
 Structure form: Through
 Connection 1: Split flange
 Sealing form: O-Ring seal
 Supply form: Connector body
 Standard: ISO6162-1/SAE J518
 Material: Carbon steel · Stainless steel

Surface protection:
 Trivalent chromium environmental protection zinc layer
 Description:
 For instructions on assembly, embedding,
 and pressure load as well as allowable
 operating temperature, please refer to the
 technical information for fastening sleeve bolts



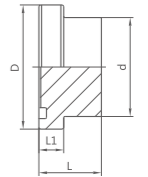
| Drawing No. | Thread T | D | d | L | L1 | Pressure grade MPa |
|-------------|----------|-------|------|----|-----|--------------------|
| 4FL-08 | 1/2" | 30.2 | 24 | 16 | 6.8 | 34.5 |
| 4FL-12 | 3/4" | 38.1 | 31.5 | 17 | 6.8 | |
| 4FL-16 | 1" | 44.4 | 38 | 17 | 8 | |
| 4FL-20 | 1 1/4" | 50.8 | 43 | 17 | 8 | 27.6 |
| 4FL-24 | 1 1/2" | 60.3 | 50 | 19 | 8 | 20.7 |
| 4FL-32 | 2" | 71.4 | 62 | 19 | 9.6 | |
| 4FL-40 | 2 1/2" | 84.1 | 74 | 40 | 9.6 | 17.2 |
| 4FL-48 | 3" | 101.6 | 90 | 45 | 9.6 | 13.8 |

Heavy series flange plug

Characteristics

Structure type: Flange connection
 Structure form: Through
 Connection 1: Split flange
 Sealing form: O-Ring seal
 Supply form: Connector body
 Standard: ISO6162-1/SAE J518
 Material: Carbon steel · Stainless steel

Surface protection:
 Trivalent chromium environmental protection zinc layer
 Description:
 For instructions on assembly, embedding,
 and pressure load as well as allowable
 operating temperature, please refer to the
 technical information for fastening sleeve bolts



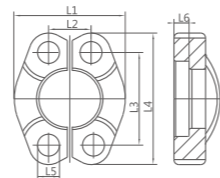
| Drawing No. | Thread T | D | d | L | L1 | Pressure grade MPa |
|-------------|----------|------|----|----|------|--------------------|
| 4FS-08 | 1/2" | 31.8 | 24 | 18 | 7.8 | 42 |
| 4FS-12 | 3/4" | 41.3 | 32 | 18 | 8.8 | |
| 4FS-16 | 1" | 47.6 | 38 | 18 | 9.5 | |
| 4FS-20 | 1 1/4" | 54 | 44 | 18 | 10.3 | |
| 4FS-24 | 1 1/2" | 63.5 | 51 | 20 | 12.6 | |
| 4FS-32 | 2" | 79.4 | 67 | 30 | 12.6 | |

ISO-6162-1--SAE J518 light series split flange clamp

Characteristics

Structure type: Flange connection
 Structure form: Through
 Connection 1: Split flange
 Sealing form: No
 Connection 2: Split flange
 Sealing form: No
 Supply form: Flange
 Standard: ISO6162-1/SAE J518

Material: Carbon steel · Stainless steel
 Surface protection:
 Trivalent chromium environmental protection zinc layer
 Description:
 For instructions on assembly, embedding,
 and pressure load as well as allowable
 operating temperature, please refer to the
 technical information for fastening sleeve bolts



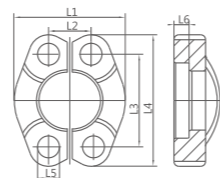
| Drawing No. | Flange Model | L1 | L2 | L3 | L4 | L5 | Bolt | Pressure grade |
|-------------|--------------|-------|------|-------|-------|------|--------|----------------|
| FL-08 | 1/2" | 46.1 | 17.5 | 38.1 | 53.8 | 9 | M8X25 | 34.5 |
| FL-12 | 3/4" | 52.4 | 22.2 | 47.6 | 65 | 11 | M10X30 | |
| FL-16 | 1" | 58.7 | 26.2 | 52.4 | 69.9 | 11 | M10X30 | |
| FL-20 | 1 1/4" | 73 | 30.2 | 58.7 | 79.2 | 11 | M10X30 | 27.6 |
| FL-24 | 1 1/2" | 82.6 | 35.7 | 69.9 | 93.7 | 13.5 | M12X35 | 20.7 |
| FL-32 | 2" | 96.8 | 42.9 | 77.8 | 101.6 | 13.5 | M12X35 | |
| FL-40 | 2 1/4" | 109 | 50.8 | 88.9 | 114 | 13.5 | M12X40 | 17.2 |
| FL-48 | 3" | 130.6 | 61.9 | 106.4 | 135 | 17.5 | M16X50 | 13.8 |

ISO-6162-2--SAE J518 heavy series split flange clamp

Characteristics

Structure type: Flange connection
 Structure form: Through
 Connection 1: Split flange
 Sealing form: No
 Connection 2: Split flange
 Sealing form: No
 Supply form: Flange
 Standard: ISO6162-2/SAE J518

Material: Carbon steel · Stainless steel
 Surface protection:
 Trivalent chromium environmental protection zinc layer
 Description:
 For instructions on assembly, embedding,
 and pressure load as well as allowable
 operating temperature, please refer to the
 technical information for fastening sleeve bolts



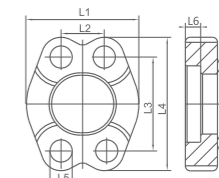
| Drawing No. | Flange Model | L1 | L2 | L3 | L4 | L5 | Bolt | Pressure grade |
|-------------|--------------|-------|------|------|-------|----|--------|----------------|
| FS-08 | 1/2" | 49.2 | 18.2 | 40.5 | 56.3 | 9 | M8X30 | 42 |
| FS-12 | 3/4" | 61.8 | 23.8 | 50.8 | 71.4 | 11 | M10X35 | |
| FS-16 | 1" | 71.4 | 27.8 | 57.2 | 81 | 13 | M12X45 | |
| FS-20 | 1 1/4" | 79.2 | 31.8 | 66.7 | 95.3 | 15 | M14X50 | |
| FS-24 | 1 1/2" | 96.8 | 36.6 | 79.4 | 112.8 | 17 | M16X55 | |
| FS-32 | 2" | 115.6 | 44.4 | 96.8 | 133.4 | 21 | M20X70 | |

ISO-6162-1--SAE J518 light series integral flange clamp

Characteristics

Structure type: Flange connection
 Structure form: Through
 Connection 1: Split flange
 Sealing form: No
 Connection 2: Split flange
 Sealing form: No
 Supply form: Flange
 Standard: ISO6162-1/SAE J518

Material: Carbon steel · Stainless steel
 Surface protection:
 Trivalent chromium environmental protection zinc layer
 Description:
 For instructions on assembly, embedding,
 and pressure load as well as allowable
 operating temperature, please refer to the
 technical information for fastening sleeve bolts



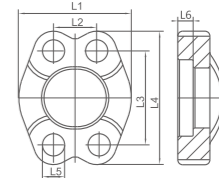
| Drawing No. | Thread T | L1 | L2 | L3 | L4 | L5 | L6 | Bolt | Pressure grade |
|-------------|----------|-------|------|-------|-------|------|-----|--------|----------------|
| FL-08W | 1/2" | 46.1 | 17.5 | 38.1 | 53.8 | 9 | 6.2 | M8X25 | 34.5 |
| FL-12W | 3/4" | 52.4 | 22.2 | 47.6 | 65 | 11 | 6.2 | M10X30 | |
| FL-16W | 1" | 58.7 | 26.2 | 52.4 | 69.9 | 11 | 7.5 | M10X30 | |
| FL-20W | 1 1/4" | 73 | 30.2 | 58.7 | 79.2 | 11 | 7.5 | M10X30 | 27.6 |
| FL-24W | 1 1/2" | 82.6 | 35.7 | 69.9 | 93.7 | 13.5 | 7.5 | M12X35 | 20.7 |
| FL-32W | 2" | 96.8 | 42.9 | 77.8 | 101.6 | 13.5 | 9 | M12X35 | |
| FL-40W | 2 1/4" | 109 | 50.8 | 88.9 | 114 | 13.5 | 9 | M12X40 | 17.2 |
| FL-48W | 3" | 130.6 | 61.9 | 106.4 | 135 | 17.5 | 9 | M16X50 | 13.8 |

ISO-6162-2--SAE J518 heavy series integral flange clamp

Characteristics

Structure type: Flange connection
 Structure form: Through
 Connection 1: Split flange
 Sealing form: No
 Connection 2: Split flange
 Sealing form: No
 Supply form: Flange
 Standard: ISO6162-2/SAE J518

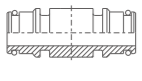

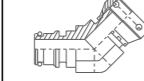
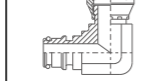

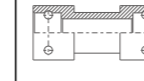
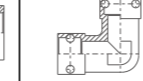
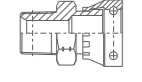
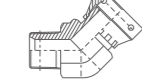
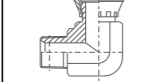

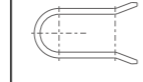
Material: Carbon steel · Stainless steel
 Surface protection:
 Trivalent chromium environmental protection zinc layer
 Description:
 For instructions on assembly, embedding,
 and pressure load as well as allowable
 operating temperature, please refer to the
 technical information for fastening sleeve bolts



| Drawing No. | Thread T | L1 | L2 | L3 | L4 | L5 | L6 | Bolt | Pressure grade |
|-------------|----------|-------|------|------|-------|----|-----|--------|----------------|
| FS-08W | 1/2" | 49.2 | 18.2 | 40.5 | 56.3 | 9 | 7.2 | M8X25 | 42 |
| FS-12W | 3/4" | 61.8 | 23.8 | 50.8 | 71.4 | 11 | 8.2 | M10X30 | |
| FS-16W | 1" | 71.4 | 27.8 | 57.2 | 81 | 13 | 9 | M10X30 | |
| FL-20W | 1 1/4" | 79.2 | 31.8 | 66.7 | 95.3 | 15 | 9.8 | M10X30 | |
| FL-24W | 1 1/2" | 96.8 | 36.6 | 79.4 | 112.8 | 17 | 12 | M12X35 | |
| FL-32W | 2" | 115.6 | 44.4 | 96.8 | 133.4 | 21 | 12 | M12X35 | |

SAE quick connector for mining

259/263

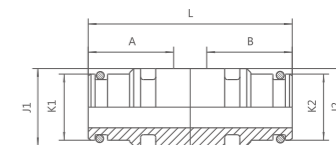
| | | | | | | |
|---|--|--|---|---|---|---|
| S1Y  P/259 | S2Y  P/259 | S2Y4  P/260 | S2Y9  P/260 | S4Y  P/260 | S7Y  P/261 | S7Y9  P/261 |
| S2NY  P/262 | S2NY4  P/262 | S2NY9  P/262 | S2ZY  P/263 | SU-Y  P/263 | | |

Quick change external connector

Characteristics

Structure type: Quick change connector
Structure form: Through
Connection 1: External connector
Sealing form: O-Ring seal
Connection 2: External connector
Sealing form: O-Ring seal
Supply form: Connector body
Standard: SAE J1467

Material: Carbon steel · Stainless steel
Surface protection:
Trivalent chromium environmental protection zinc layer
Description:
For instructions on assembly, embedding,
and pressure load as well as allowable
operating temperature, please refer to the
technical information for fastening sleeve bolts



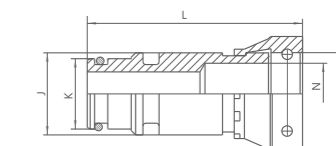
| Drawing No. | Left end | Right end | A | B | J1 | K1 | J2 | K2 | L |
|-------------|----------|-----------|------|------|------|------|------|------|----|
| S1Y-04 | 1/4" | 1/4" | 28 | 28 | 14.9 | 9.9 | 14.9 | 9.9 | 57 |
| S1Y-06-04 | 3/8" | 1/4" | 28 | 28 | 19.9 | 13.9 | 14.9 | 9.9 | 57 |
| S1Y-06 | 3/8" | 3/8" | 28 | 28 | 19.9 | 13.9 | 19.9 | 13.9 | 57 |
| S1Y-08-04 | 1/2" | 1/4" | 28 | 28 | 23.9 | 17.9 | 14.9 | 9.9 | 57 |
| S1Y-08-06 | 1/2" | 3/8" | 28 | 28 | 23.9 | 17.9 | 19.9 | 13.9 | 57 |
| S1Y-08 | 1/2" | 1/2" | 28 | 28 | 23.9 | 17.9 | 23.9 | 17.9 | 57 |
| S1Y-12-06 | 3/4" | 3/8" | 28 | 28 | 28.9 | 23.9 | 19.9 | 13.9 | 57 |
| S1Y-12-08 | 3/4" | 1/2" | 28 | 28 | 28.9 | 23.9 | 23.9 | 17.9 | 57 |
| S1Y-12 | 3/4" | 3/4" | 28 | 28 | 28.9 | 23.9 | 28.9 | 23.9 | 57 |
| S1Y-16-08 | 1" | 1/2" | 33.5 | 28 | 38.8 | 30.9 | 23.9 | 17.9 | 62 |
| S1Y-16-12 | 1" | 3/4" | 33.5 | 28 | 38.8 | 30.9 | 28.9 | 23.9 | 62 |
| S1Y-16 | 1" | 1" | 33.5 | 33.5 | 38.8 | 30.9 | 38.8 | 30.9 | 68 |
| S1Y-20-12 | 1.1/4" | 3/4" | 33.5 | 28 | 45.9 | 37.9 | 28.9 | 23.9 | 62 |
| S1Y-20-16 | 1.1/4" | 1" | 33.5 | 33.5 | 45.9 | 37.9 | 38.8 | 30.9 | 68 |
| S1Y-20 | 1.1/4" | 1.1/4" | 33.5 | 33.5 | 45.9 | 37.9 | 45.9 | 37.9 | 68 |
| S1Y-24 | 1.1/2" | 1.1/2" | 37 | 37 | 54.9 | 46.9 | 54.9 | 46.9 | 76 |
| S1Y-32-24 | 2" | 1.1/2" | 37 | 37 | 63.9 | 55.9 | 54.9 | 46.9 | 76 |
| S1Y-32 | 2" | 2" | 37 | 37 | 63.9 | 55.9 | 63.9 | 55.9 | 76 |

Quick change external connector / quick change internal connector

Characteristics

Structure type: Quick change connector
Structure form: Through
Connection 1: External connector
Sealing form: O-Ring seal
Connection 2: Internal connector
Sealing form: Plane seal
Supply form: Connector body
Standard: SAE J1467

Material: Carbon steel · Stainless steel
Surface protection:
Trivalent chromium environmental protection zinc layer
Description:
For instructions on assembly, embedding,
and pressure load as well as allowable
operating temperature, please refer to the
technical information for fastening sleeve bolts



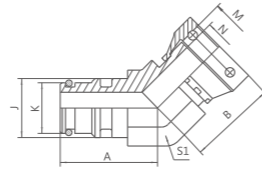
| Drawing No. | Left end | Right end | J | K | L | M | N |
|-------------|----------|-----------|------|------|------|-------|-------|
| S2Y-04 | 1/4" | 1/4" | 14.9 | 9.9 | 58 | 15.16 | 10.03 |
| S2Y-06 | 3/8" | 3/8" | 19.9 | 13.9 | 59.5 | 20.17 | 14.02 |
| S2Y-08 | 1/2" | 1/2" | 23.9 | 17.9 | 58.5 | 24.16 | 18.03 |
| S2Y-12 | 3/4" | 3/4" | 28.9 | 23.9 | 59.5 | 29.16 | 24.03 |
| S2Y-16 | 1" | 1" | 38.8 | 30.9 | 72 | 39.12 | 31.01 |

45° Quick-change external connector / Quick-change internal connector

Characteristics

Structure type: Quick change connector
 Structure form: 45° Bevel
 Connection 1: External connector
 Sealing form: O-Ring seal
 Connection 2: Internal connector
 Sealing form: Plane seal
 Supply form: Connector body
 Standard: SAE J1467

Material: Carbon steel · Stainless steel
 Surface protection: Trivalent chromium environmental protection zinc layer
 Description: For instructions on assembly, embedding, and pressure load as well as allowable operating temperature, please refer to the technical information for fastening sleeve bolts



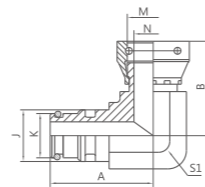
| Drawing No. | Left end | Right end | A | B | J | K | M | N | S1 |
|-------------|----------|-----------|------|------|------|------|-------|-------|----|
| S2Y4-04 | 1/4" | 1/4" | 34.5 | 32.8 | 14.9 | 9.9 | 15.16 | 10.03 | 16 |
| S2Y4-06 | 3/8" | 3/8" | 36.5 | 35.3 | 19.9 | 13.9 | 20.17 | 14.02 | 22 |
| S2Y4-08 | 1/2" | 1/2" | 37.5 | 37 | 23.9 | 17.9 | 24.16 | 18.03 | 27 |

90° Quick-change external connector / Quick-change internal connector

Characteristics

Structure type: Quick change connector
 Structure form: Right angle
 Connection 1: External connector
 Sealing form: O-Ring seal
 Connection 2: Internal connector
 Sealing form: Plane seal
 Supply form: Connector body
 Standard: SAE J1467

Material: Carbon steel · Stainless steel
 Surface protection: Trivalent chromium environmental protection zinc layer
 Description: For instructions on assembly, embedding, and pressure load as well as allowable operating temperature, please refer to the technical information for fastening sleeve bolts



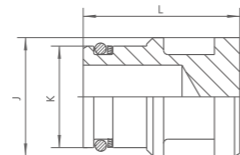
| Drawing No. | Left end | Right end | A | B | J | K | M | N | S1 |
|-------------|----------|-----------|------|------|------|------|-------|-------|----|
| S2Y9-04 | 1/4" | 1/4" | 40.5 | 38 | 14.9 | 9.9 | 15.16 | 10.03 | 16 |
| S2Y9-06 | 3/8" | 3/8" | 44 | 42.5 | 19.9 | 13.9 | 20.17 | 14.02 | 22 |
| S2Y9-08 | 1/2" | 1/2" | 46.5 | 46 | 23.9 | 17.9 | 24.16 | 18.03 | 27 |
| S2Y9-12 | 3/4" | 3/4" | 52 | 51.5 | 28.9 | 23.9 | 29.16 | 24.03 | 36 |
| S2Y9-16 | 1" | 1" | 64 | 63.5 | 38.8 | 30.9 | 39.12 | 31.01 | 48 |
| S2Y9-20 | 1 1/4" | 1 1/4" | 64 | 63.5 | 45.9 | 37.9 | 46.15 | 38.02 | 48 |

Quick-change external connector plug

Characteristics

Structure type: Quick change connector
 Structure form: Plug
 Connection 1: External connector
 Sealing form: O-Ring seal
 Standard: SAE J1467
 Material: Carbon steel · Stainless steel

Surface protection: Trivalent chromium environmental protection zinc layer
 Description: For instructions on assembly, embedding, and pressure load as well as allowable operating temperature, please refer to the technical information for fastening sleeve bolts



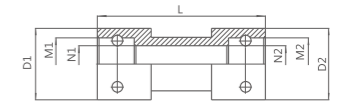
| Drawing No. | Left end | O-Ring | J | K | L |
|-------------|----------|----------|------|------|----|
| S4Y-04 | 1/4" | 06.0x2.0 | 14.9 | 9.9 | 34 |
| S4Y-06 | 3/8" | 10.0x2.0 | 19.9 | 13.9 | 34 |
| S4Y-08 | 1/2" | 13.0x2.5 | 23.9 | 17.9 | 34 |
| S4Y-12 | 3/4" | 19.0x2.5 | 28.9 | 23.9 | 34 |
| S4Y-16 | 1" | 25.0x2.5 | 38.9 | 30.9 | 41 |
| S4Y-20 | 1.1/4" | 33.0x2.5 | 45.9 | 37.9 | 41 |

Quick change internal connector

Characteristics

Structure type: Quick change connector
 Structure form: Through
 Connection 1: Pull-in connection
 Sealing form: O-Ring seal
 Connection 2: Pull-in connection
 Sealing form: U-Shaped clamp fixation
 Supply form: Connector body
 Standard: SAE J1467

Material: Carbon steel · Stainless steel
 Surface protection: Trivalent chromium environmental protection zinc layer
 Description: For instructions on assembly, embedding, and pressure load as well as allowable operating temperature, please refer to the technical information for fastening sleeve bolts



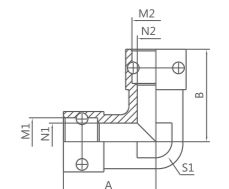
| Drawing No. | Left end | Right end | D1, D2 | L | M1, M2 | N1, N2 |
|-------------|----------|-----------|--------|----|--------|--------|
| S7Y-04 | 1/4" | 1/4" | 25 | 59 | 15.16 | 10.03 |
| S7Y-06 | 3/8" | 3/8" | 32 | 59 | 20.17 | 14.02 |
| S7Y-08 | 1/2" | 1/2" | 35 | 59 | 24.16 | 18.03 |
| S7Y-12 | 3/4" | 3/4" | 45 | 59 | 29.16 | 24.03 |
| S7Y-16 | 1" | 1" | 55 | 68 | 39.12 | 31.01 |
| S7Y-20 | 1.1/4" | 1.1/4" | 60 | 68 | 46.15 | 38.02 |
| S7Y-24 | 1.1/2" | 1.1/2" | 70 | 80 | 55.22 | 47.02 |
| S7Y-32 | 2" | 2" | 80 | 80 | 64.21 | 56 |

90° quick-change internal connector

Characteristics

Structure type: Quick change connector
 Structure form: Right angle
 Connection 1: Pull-in connection
 Sealing form: U-Shaped clamp fixation
 Connection 2: Pull-in connection
 Sealing form: U-Shaped clamp fixation
 Supply form: Connector body
 Standard: SAE J1467

Material: Carbon steel · Stainless steel
 Surface protection: Trivalent chromium environmental protection zinc layer
 Description: For instructions on assembly, embedding, and pressure load as well as allowable operating temperature, please refer to the technical information for fastening sleeve bolts



| Drawing No. | Left end | Right end | A | B | M1, M2 | N1, N2 | S1 |
|-------------|----------|-----------|------|------|--------|--------|----|
| S7Y9-04 | 1/4" | 1/4" | 37.5 | 37.5 | 15.16 | 10.03 | 19 |
| S7Y9-06 | 3/8" | 3/8" | 37.5 | 37.5 | 20.17 | 14.02 | 24 |
| S7Y9-08 | 1/2" | 1/2" | 37.5 | 37.5 | 24.16 | 18.03 | 27 |
| S7Y9-12 | 3/4" | 3/4" | 40.5 | 40.5 | 29.16 | 24.03 | 33 |
| S7Y9-16 | 1" | 1" | 52.5 | 52.5 | 39.12 | 31.01 | 48 |
| S7Y9-20 | 1.1/4" | 1.1/4" | 55 | 55 | 46.15 | 38.02 | 55 |

SAE quick connector for mining

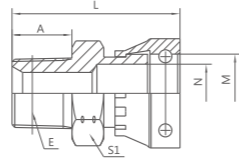
SAE quick connector for mining

American taper pipe male thread / quick change internal connector

Characteristics

Structure type: Quick change connector
 Structure form: Through
 Connection 1: American taper thread
 Sealing form: Thread seal
 Connection 2: Internal connector
 Sealing form: Plane seal
 Supply form: Connector body
 Standard: SAE J1467/SAE476

Material: Carbon steel · Stainless steel
 Surface protection:
 Trivalent chromium environmental protection zinc layer
 Description:
 For instructions on assembly, embedding,
 and pressure load as well as allowable
 operating temperature, please refer to the
 technical information for fastening sleeve bolts



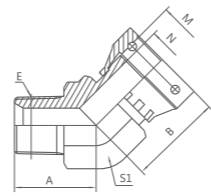
| Drawing No. | Left end | Right end | A | L | M | N | S1 |
|-------------|---------------|-----------|------|------|-------|-------|----|
| S2NY-04 | NPT1/4X18 | 1/4" | 15 | 51.5 | 15.16 | 10.03 | 19 |
| S2NY-06 | NPT3/8X18 | 3/8" | 16 | 52.5 | 20.17 | 14.02 | 22 |
| S2NY-08 | NPT1/2X14 | 1/2" | 19.5 | 59 | 24.16 | 18.03 | 27 |
| S2NY-12 | NPT3/4X14 | 3/4" | 19.5 | 61 | 29.16 | 24.03 | 36 |
| S2NY-16 | NPT1X11.5 | 1" | 25.5 | 72.5 | 39.12 | 31.01 | 46 |
| S2NY-20 | NPT1 1/4X11.5 | 1 1/4" | 26.5 | 73.5 | 46.15 | 38.02 | 50 |

45° American taper pipe male thread / quick change internal connector

Characteristics

Structure type: Quick change connector
 Structure form: 45° Bevel
 Connection 1: American taper thread
 Sealing form: Thread seal
 Connection 3: Internal connector
 Sealing form: Plane seal
 Supply form: Connector body
 Standard: SAE J1467/SAE476

Material: Carbon steel · Stainless steel
 Surface protection:
 Trivalent chromium environmental protection zinc layer
 Description:
 For instructions on assembly, embedding,
 and pressure load as well as allowable
 operating temperature, please refer to the
 technical information for fastening sleeve bolts



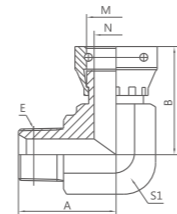
| Drawing No. | Left end | Right end | A | B | M | N | S1 |
|-------------|---------------|-----------|----|------|-------|-------|----|
| S2NY4-04 | NPT1/4X18 | 1/4" | 21 | 32.8 | 15.16 | 10.03 | 16 |
| S2NY4-06 | NPT3/8X18 | 3/8" | 26 | 35.3 | 20.17 | 14.02 | 22 |
| S2NY4-08 | NPT1/2X14 | 1/2" | 31 | 37 | 24.16 | 18.03 | 27 |
| S2NY4-12 | NPT3/4X14 | 3/4" | 38 | 40 | 29.16 | 24.03 | 36 |
| S2NY4-16 | NPT1X11.5 | 1" | 45 | 49.5 | 39.12 | 31.01 | 48 |
| S2NY4-20 | NPT1 1/4X11.5 | 1 1/4" | 45 | 49.5 | 46.15 | 38.02 | 48 |

90° American taper pipe male thread / quick change internal connector

Characteristics

Structure type: Quick change connector
 Structure form: Right angle
 Connection 1: American taper thread
 Sealing form: Thread seal
 Connection 4: Internal connector
 Sealing form: Plane seal
 Supply form: Connector body
 Standard: SAE J1467/SAE476

Material: Carbon steel · Stainless steel
 Surface protection:
 Trivalent chromium environmental protection zinc layer
 Description:
 For instructions on assembly, embedding,
 and pressure load as well as allowable
 operating temperature, please refer to the
 technical information for fastening sleeve bolts



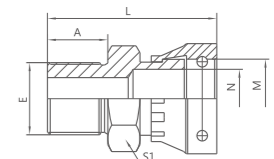
| Drawing No. | Left end | Right end | A | B | M | N | S1 |
|-------------|---------------|-----------|------|------|-------|-------|----|
| S2NY9-04 | NPT1/4X18 | 1/4" | 26.5 | 38 | 15.16 | 10.03 | 16 |
| S2NY9-06 | NPT3/8X18 | 3/8" | 32.5 | 42.5 | 20.17 | 14.02 | 22 |
| S2NY9-08 | NPT1/2X14 | 1/2" | 40 | 46 | 24.16 | 18.03 | 27 |
| S2NY9-12 | NPT3/4X14 | 3/4" | 49 | 51.5 | 29.16 | 24.03 | 36 |
| S2NY9-16 | NPT1X11.5 | 1" | 59 | 63.5 | 39.12 | 31.01 | 48 |
| S2NY9-20 | NPT1 1/4X11.5 | 1 1/4" | 63 | 63.5 | 46.15 | 38.02 | 48 |

British pipe thread combined washer seal DIN3852-2A type / quick-change female thread connector SAE J1467

Characteristics

Structure type: Quick change connector
 Structure form: Through
 Connection 1: British thread
 Sealing form: Combination gasket seal
 Connection 2: Internal connector
 Sealing form: Plane seal
 Supply form: Connector body
 Standard: SAE J1467/DIN3852-2A

Material: Carbon steel · Stainless steel
 Surface protection:
 Trivalent chromium environmental protection zinc layer
 Description:
 For instructions on assembly, embedding,
 and pressure load as well as allowable
 operating temperature, please refer to the
 technical information for fastening sleeve bolts



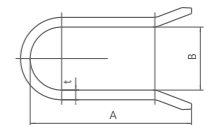
| Drawing No. | Left end | Right end | A | L | M | N | S1 |
|-------------|-----------|-----------|------|------|-------|-------|----|
| S2ZY-04 | G1/4X19 | 1/4" | 12 | 48.5 | 15.16 | 10.03 | 19 |
| S2ZY-06 | G3/8X19 | 3/8" | 13.5 | 50.5 | 20.17 | 14.02 | 22 |
| S2ZY-06-08 | G3/8X19 | 1/2" | 13.5 | 54 | 24.16 | 18.03 | 27 |
| S2ZY-08-06 | G1/2X14 | 3/8" | 16 | 56 | 20.17 | 14.02 | 27 |
| S2ZY-08 | G1/2X14 | 1/2" | 16 | 56.5 | 24.16 | 18.03 | 27 |
| S2ZY-12 | G3/4X14 | 3/4" | 18.5 | 61 | 29.16 | 24.03 | 36 |
| S2ZY-16 | G1X11 | 1" | 20.5 | 73 | 39.12 | 31.01 | 46 |
| S2ZY-16-20 | G1X11 | 1 1/4" | 20.5 | 77 | 46.15 | 38.02 | 50 |
| S2ZY-20-16 | G1 1/4X11 | 1" | 20.5 | 77 | 39.12 | 31.01 | 50 |
| S2ZY-20 | G1 1/4X11 | 1 1/4" | 20.5 | 77 | 46.15 | 38.02 | 50 |

U-shaped clamp connector

Characteristics

Structure type: U-Shaped clamp
 Structure form: Through
 Supply form: U-Shaped clamp
 Standard: SAE J1467
 Material: Carbon steel · Stainless steel
 Surface protection:
 Trivalent chromium environmental protection zinc layer

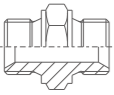
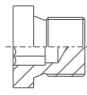

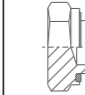

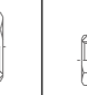

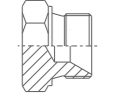
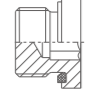
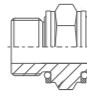
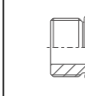

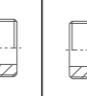

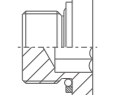
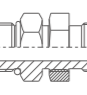

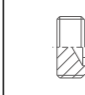
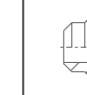
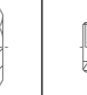
Description:
 For instructions on assembly, embedding,
 and pressure load as well as allowable
 operating temperature, please refer to the
 technical information for fastening sleeve bolts



| Drawing No. | Quick change connector model | A | B | t |
|-------------|------------------------------|------|------|---|
| SU-Y04 | 1/4" | 34 | 7.7 | 4 |
| SU-Y06 | 3/8" | 37 | 12.5 | 4 |
| SU-Y08 | 1/2" | 44 | 16.5 | 4 |
| SU-Y12 | 3/4" | 52 | 20.8 | 4 |
| SU-Y16 | 1" | 69 | 27.2 | 6 |
| SU-Y20 | 1.1"/4 | 77.5 | 34.8 | 6 |
| SU-Y24 | 1.1"/2 | 78.8 | 46.1 | 6 |
| SU-Y32 | 2 | 100 | 58 | 6 |

Other connectors

265/275

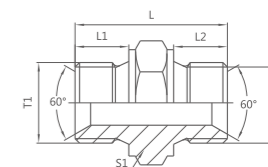
| | | | | | | |
|---|--|--|---|--|---|---|
| S1M  P/265 | S4BN  P/266 | S4BN-ED  P/266 | S4B-ED  P/267 | S7B  P/267 | S7B9-PK  P/268 | S6B-PK  P/268 |
| S4M  P/269 | S4MN-ED  P/269 | S1G  P/270 | S4G  P/270 | S1H  P/271 | S1H-H  P/271 | S4H  P/272 |
| S4HN  P/272 | S10  P/273 | S40  P/273 | S40N  P/274 | S4P  P/274 | S50  P/275 | |

Metric thread 60° inner cone or hex end face combined washer seal

Characteristics

Structure type: Thread-Thread connection
 Structure form: Through
 Connection 1: Metric thread cone
 Sealing form:
 60° inside seal · Combination gasket seal
 Connection 2: Metric thread cone
 Sealing form:
 60° inside seal · Combination gasket seal
 Supply form: Connector body

Standard: GB/T19674.2/KES
 Material: Carbon steel · Stainless steel · Copper
 Surface protection:
 Trivalent chromium environmental protection zinc layer
 Description:
 For instructions on assembly, embedding,
 and pressure load as well as allowable
 operating temperature, please refer to the
 technical information for fastening sleeve bolts



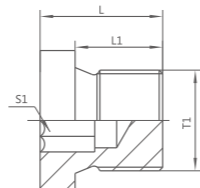
| Drawing No. | T1 | T2 | L | L1 | L2 | S1 |
|-------------|---------|---------|----|----|----|----|
| S1M-10 | M10x1 | M10x1 | 24 | 8 | 8 | 14 |
| S1M-10-12 | M10x1.5 | M12x1.5 | 26 | 8 | 10 | 17 |
| S1M-12 | M12x1.5 | M12x1.5 | 28 | 10 | 10 | 17 |
| S1M-12-14 | M12x1.5 | M14x1.5 | 29 | 10 | 11 | 19 |
| S1M-14 | M14x1.5 | M14x1.5 | 30 | 11 | 11 | 19 |
| S1M-14-16 | M14x1.5 | M16x1.5 | 31 | 11 | 12 | 22 |
| S1M-16 | M16x1.5 | M16x1.5 | 32 | 12 | 12 | 22 |
| S1M-16-18 | M16x1.5 | M18x1.5 | 34 | 12 | 12 | 24 |
| S1M-18 | M18x1.5 | M18x1.5 | 34 | 12 | 12 | 24 |
| S1M-18-22 | M18x1.5 | M22x1.5 | 38 | 12 | 14 | 27 |
| S1M-20-22 | M20x1.5 | M22x1.5 | 38 | 14 | 14 | 27 |
| S1M-22 | M22x1.5 | M22x1.5 | 38 | 14 | 14 | 27 |
| S1M-22-26 | M22x1.5 | M26x1.5 | 43 | 14 | 16 | 32 |
| S1M-22-27 | M22x2 | M27x2 | 43 | 14 | 16 | 32 |
| S1M-22-27D | M22x1.5 | M27x1.5 | 43 | 14 | 16 | 32 |
| S1M-26 | M26x1.5 | M26x1.5 | 45 | 16 | 16 | 32 |
| S1M-26-30 | M26x1.5 | M30x2 | 47 | 16 | 18 | 36 |
| S1M-26-30D | M26x1.5 | M30x1.5 | 47 | 16 | 18 | 36 |
| S1M-27 | M27x2 | M27x2 | 45 | 16 | 16 | 32 |
| S1M-27D | M27x1.5 | M27x1.5 | 45 | 16 | 16 | 32 |
| S1M-30 | M30x2 | M30x2 | 49 | 18 | 18 | 36 |
| S1M-30D | M30x1.5 | M30x1.5 | 49 | 18 | 18 | 36 |

British pipe male thread hex end combined washer seal inner hex plug

Characteristics

Structure type: Thread connection
 Structure form: Plug
 Connection 1: British thread
 Sealing form: Combination gasket seal
 Supply form: Connector
 Standard: BS5200/DIN3852
 Material: Carbon steel · Stainless steel · Copper

Surface protection:
 Trivalent chromium environmental protection zinc layer
 Description:
 For instructions on assembly, embedding, and pressure load as well as allowable operating temperature, please refer to the technical information for fastening sleeve bolts



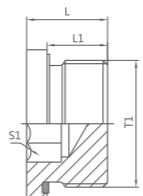
| Drawing No. | T1 | L | L1 | S1 |
|-------------|---------|----|----|----|
| S4BN-02 | G1/8-28 | 11 | 8 | 5 |
| S4BN-04 | G1/4-19 | 15 | 12 | 6 |
| S4BN-06 | G3/8-19 | 15 | 12 | 8 |
| S4BN-08 | G1/2-14 | 18 | 14 | 10 |
| S4BN-12 | G3/4-14 | 20 | 16 | 12 |
| S4BN-16 | G1-11 | 21 | 16 | 17 |

British pipe male thread ED seal inner hex plug

Characteristics

Structure type: Thread connection
 Structure form: Plug
 Connection 1: British thread
 Sealing form: ED seal
 Supply form: Connector
 Standard: ISO1179
 Material: Carbon steel · Stainless steel · Copper

Surface protection:
 Trivalent chromium environmental protection zinc layer
 Description:
 For instructions on assembly, embedding, and pressure load as well as allowable operating temperature, please refer to the technical information for fastening sleeve bolts



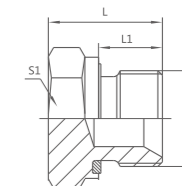
| Drawing No. | T1 | L | L1 | S1 |
|-------------|-----------|------|----|----|
| S4BN-02ED | G1/8-28 | 12.2 | 8 | 5 |
| S4BN-04ED | G1/4-19 | 17.2 | 12 | 6 |
| S4BN-06ED | G3/8-19 | 17.2 | 12 | 8 |
| S4BN-08ED | G1/2-14 | 19.2 | 14 | 10 |
| S4BN-12ED | G3/4-14 | 21.2 | 16 | 12 |
| S4BN-16ED | G1-11 | 22.8 | 16 | 17 |
| S4BN-20ED | G1 1/4-11 | 22.8 | 16 | 17 |
| S4BN-24ED | G1 1/2-11 | 22.8 | 16 | 17 |

British pipe male thread ED seal outer hex plug

Characteristics

Structure type: Thread connection
 Structure form: Plug
 Connection 1: British thread
 Sealing form: ED seal
 Supply form: Connector
 Standard: ISO1179
 Material: Carbon steel · Stainless steel · Copper

Surface protection:
 Trivalent chromium environmental protection zinc layer
 Description:
 For instructions on assembly, embedding, and pressure load as well as allowable operating temperature, please refer to the technical information for fastening sleeve bolts



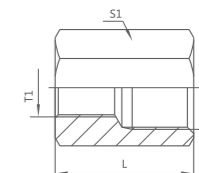
| Drawing No. | T1 | L | L1 | S1 |
|-------------|-----------|------|----|----|
| S4B-02ED | G1/8-28 | 15.5 | 8 | 14 |
| S4B-04ED | G1/4-19 | 20 | 12 | 19 |
| S4B-06ED | G3/8-19 | 22 | 12 | 22 |
| S4B-08ED | G1/2-14 | 26 | 14 | 27 |
| S4B-12ED | G3/4-14 | 29 | 16 | 32 |
| S4B-16ED | G1-11 | 35 | 18 | 41 |
| S4B-20ED | G1 1/4-11 | 37 | 20 | 50 |
| S4B-24ED | G1 1/2-11 | 39 | 22 | 55 |
| S4B-32ED | G2-11 | 40 | 22 | 75 |

British pipe female thread

Characteristics

Structure type: Female thread connection
 Structure form: Through
 Connection 1: British thread
 Sealing form: Plane seal
 Connection 2: British thread
 Sealing form: Plane seal
 Supply form: Connector
 Standard: ISO1179-1

Material: Carbon steel · Stainless steel · Copper
 Surface protection:
 Trivalent chromium environmental protection zinc layer
 Description:
 For instructions on assembly, embedding, and pressure load as well as allowable operating temperature, please refer to the technical information for fastening sleeve bolts



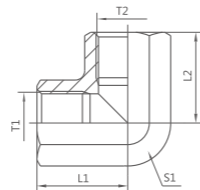
| Drawing No. | T1 | T2 | L | S1 |
|-------------|-----------|-----------|----|----|
| S7B-02 | G1/8X28 | G1/8X28 | 22 | 14 |
| S7B-02-04 | G1/8X28 | G1/4X19 | 24 | 19 |
| S7B-04 | G1/4X19 | G1/4X19 | 24 | 19 |
| S7B-04-06 | G1/4X19 | G3/8X19 | 29 | 22 |
| S7B-06 | G3/8X19 | G3/8X19 | 26 | 22 |
| S7B-06-08 | G3/8X19 | G1/2X14 | 33 | 27 |
| S7B-08 | G1/2X14 | G1/2X14 | 32 | 27 |
| S7B-08-10 | G1/2X14 | G5/8X14 | 36 | 30 |
| S7B-10 | G5/8X14 | G5/8X14 | 36 | 30 |
| S7B-12 | G3/4X14 | G3/4X14 | 36 | 32 |
| S7B-12-16 | G3/4X14 | G1X11 | 43 | 41 |
| S7B-16 | G1X11 | G1X11 | 40 | 41 |
| S7B-16-20 | G1X11 | G1 1/4X11 | 46 | 50 |
| S7B-20 | G1.1/4X11 | G1 1/4X11 | 44 | 50 |
| S7B-20-24 | G1.1/4X11 | G1 1/2X11 | 48 | 55 |
| S7B-24 | G1.1/2X11 | G1 1/2X11 | 45 | 55 |
| S7B-24-32 | G1.1/2X11 | G2X11 | 56 | 70 |
| S7B-32 | G2X11 | G2X11 | 54 | 70 |

90° Bend British pipe female thread

Characteristics

Structure type: Thread connection
 Structure form: 90° Bend
 Connection 1: British thread
 Sealing form: Plane seal
 Connection 2: British thread
 Sealing form: Plane seal
 Supply form: Connector
 Standard: ISO1179-1

Material: Carbon steel · Stainless steel · Copper
 Surface protection:
 Trivalent chromium environmental protection zinc layer
 Description:
 For instructions on assembly, embedding,
 and pressure load as well as allowable
 operating temperature, please refer to the
 technical information for fastening sleeve bolts



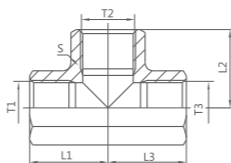
| Drawing No. | T1 | T2 | L1 | L2 | S1 |
|-------------|-----------|-----------|------|------|----|
| S7B9-02PK | G1/8X28 | G1/8X28 | 20 | 20 | 17 |
| S7B9-04PK | G1/4X19 | G1/4X19 | 22.5 | 22.5 | 19 |
| S7B9-06PK | G3/8X19 | G3/8X19 | 26 | 26 | 24 |
| S7B9-08PK | G1/2X14 | G1/2X14 | 31 | 31 | 27 |
| S7B9-12PK | G3/4X14 | G3/4X14 | 34 | 34 | 33 |
| S7B9-16PK | G1X11 | G1X11 | 42 | 42 | 41 |
| S7B9-20PK | G1 1/4X11 | G1 1/4X11 | 48 | 48 | 50 |
| S7B9-24PK | G1 1/2X11 | G1 1/2X11 | 53 | 53 | 60 |
| S7B9-32PK | G2X11 | G2X11 | 62 | 62 | 70 |

British pipe female thread tee

Characteristics

Structure type: Thread connection
 Structure form: Tee
 Connection 1: British female thread
 Sealing form: Plane seal
 Connection 2: British female thread
 Sealing form: Plane seal
 Connection 3: British female thread
 Sealing form: Plane seal
 Supply form: Connector
 Standard: ISO1179-1

Material: Carbon steel · Stainless steel · Copper
 Surface protection:
 Trivalent chromium environmental protection zinc layer
 Description:
 For instructions on assembly, embedding,
 and pressure load as well as allowable
 operating temperature, please refer to the
 technical information for fastening sleeve bolts



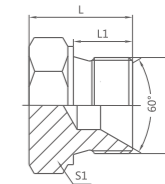
| Drawing No. | T1 | T2 | T3 | L1 | L2 | L3 | S1 |
|-------------|-----------|-----------|-----------|------|------|------|----|
| SGB-02PK | G1/8X28 | G1/8X28 | G1/8X28 | 20 | 20 | 20 | 17 |
| SGB-04PK | G1/4X19 | G1/4X19 | G1/4X19 | 22.5 | 22.5 | 22.5 | 19 |
| SGB-06PK | G3/8X19 | G3/8X19 | G3/8X19 | 26 | 26 | 26 | 24 |
| SGB-08PK | G1/2X14 | G1/2X14 | G1/2X14 | 31 | 31 | 31 | 27 |
| SGB-12PK | G3/4X14 | G3/4X14 | G3/4X14 | 34 | 34 | 34 | 33 |
| SGB-16PK | G1X11 | G1X11 | G1X11 | 42 | 42 | 42 | 41 |
| SGB-20PK | G1 1/4X11 | G1 1/4X11 | G1 1/4X11 | 48 | 48 | 48 | 50 |
| SGB-24PK | G1 1/2X11 | G1 1/2X11 | G1 1/2X11 | 53 | 53 | 53 | 60 |
| SGB-32PK | G2X11 | G2X11 | G2X11 | 62 | 62 | 62 | 70 |

Metric thread 60° inner cone or hex end face combined washer seal

Characteristics

Structure type: Thread-Thread connection
 Structure form: Plug
 Connection 1: Metric thread
 Sealing form: 60° inside seal
 Supply form: Connector body
 Standard: GB/T19674.2/JIS8363
 Material: Carbon steel · Stainless steel · Copper

Surface protection:
 Trivalent chromium environmental protection zinc layer
 Description:
 For instructions on assembly, embedding,
 and pressure load as well as allowable
 operating temperature, please refer to the
 technical information for fastening sleeve bolts



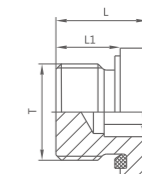
| Drawing No. | T | L | L1 | S1 |
|-------------|---------|----|----|----|
| S4M-10 | M10x1 | 15 | 8 | 14 |
| S4M-12 | M12x1.5 | 17 | 10 | 17 |
| S4M-14 | M14x1.5 | 19 | 11 | 19 |
| S4M-16 | M16x1.5 | 20 | 12 | 22 |
| S4M-18 | M18x1.5 | 20 | 12 | 24 |
| S4M-20 | M20x1.5 | 23 | 14 | 27 |
| S4M-22 | M22x1.5 | 23 | 14 | 27 |
| S4M-24 | M24x1.5 | 25 | 14 | 30 |
| S4M-26 | M26x1.5 | 28 | 16 | 32 |
| S4M-27D | M27x1.5 | 28 | 16 | 32 |
| S4M-30 | M30x2 | 30 | 18 | 36 |
| S4M-30D | M30x1.5 | 30 | 18 | 36 |

Metric male thread ED seal inner hex plug

Characteristics

Structure type: Thread connection
 Structure form: Through
 Connection 1: Metric thread
 Sealing form: ED seal
 Supply form: Connector body
 Standard: ISO9974
 Material: Carbon steel · Stainless steel · Copper

Surface protection:
 Trivalent chromium environmental protection zinc layer
 Description:
 For instructions on assembly, embedding,
 and pressure load as well as allowable
 operating temperature, please refer to the
 technical information for fastening sleeve bolts



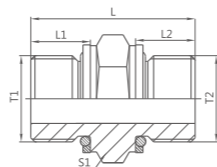
| Drawing No. | T | L | L1 | S1 | ED-Ring |
|-------------|---------|------|----|----|---------------|
| S4MN-10ED | M10x1 | 12 | 8 | 5 | 11.9x8.4x1 |
| S4MN-12ED | M12x1.5 | 17 | 12 | 6 | 14.4x9.8x1.5 |
| S4MN-14ED | M14x1.5 | 17 | 12 | 6 | 16.5x11.6x1.5 |
| S4MN-16ED | M16x1.5 | 17 | 12 | 8 | 18.9x13.8x1.5 |
| S4MN-18ED | M18x1.5 | 17 | 12 | 8 | 20.9x15.7x1.5 |
| S4MN-20ED | M20x1.5 | 19 | 14 | 10 | 22.9x17.8x1.5 |
| S4MN-22ED | M22x1.5 | 19 | 14 | 10 | 24.3x19.6x1.5 |
| S4MN-26ED | M26x1.5 | 21 | 16 | 12 | 29.2x23.9x1.5 |
| S4MN-27ED | M27x2 | 21 | 16 | 12 | 29.2x23.9x1.5 |
| S4MN-33ED | M33x2 | 24.5 | 18 | 17 | 35.7x29.7x2 |
| S4MN-42ED | M42x2 | 26.5 | 20 | 22 | 45.8x38.8x2 |
| S4MN-48ED | M48x2 | 28.5 | 22 | 24 | 50.7x44.7x2 |

British pipe male thread O-rings

Characteristics

Structure type: Thread-Thread connection
 Structure form: Through
 Connection 1: British pipe male thread
 Sealing form: O-Ring seal
 Connection 2: British pipe male thread
 Sealing form: O-Ring seal
 Supply form: Connector body
 Standard: JISB8363/ISO1179-3

Material: Carbon steel · Stainless steel · Copper
 Surface protection:
 Trivalent chromium environmental protection zinc layer
 Description:
 For instructions on assembly, embedding,
 and pressure load as well as allowable
 operating temperature, please refer to the
 technical information for fastening sleeve bolts



| Drawing No. | T1 | T2 | L | L1 | L2 | S1 | O-Ring |
|-------------|-----------|-----------|----|------|------|----|----------|
| S1G-02 | G1/8x28 | G1/8x28 | 28 | 9.5 | 9.5 | 14 | 7.8x1.9 |
| S1G-04 | G1/4x19 | G1/4x19 | 32 | 11 | 11 | 19 | 10.8x2.4 |
| S1G-06 | G3/8x19 | G3/8x19 | 36 | 11.5 | 11.5 | 22 | 13.8x2.4 |
| S1G-08 | G1/2x14 | G1/2x14 | 44 | 14 | 14 | 27 | 17.8x2.4 |
| S1G-12 | G3/4x14 | G3/4x14 | 48 | 15.5 | 15.5 | 32 | 23.7x3.5 |
| S1G-16 | G1x11 | G1x11 | 55 | 18 | 18 | 41 | 28.7x3.5 |
| S1G-20 | G1 1/4x11 | G1 1/4x11 | 61 | 20 | 20 | 50 | 37.7x3.5 |
| S1G-24 | G1 1/2x11 | G1 1/2x11 | 64 | 21.5 | 21.5 | 55 | 43.7x3.5 |

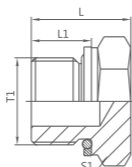
Remarks: For plane seal, add the letter "P" after the drawing number

British pipe male thread O-ring plug

Characteristics

Structure type: Thread connection
 Structure form: Plug
 Connection 1: American pipe male thread
 Sealing form: O-Ring seal
 Supply form: Connector body
 Standard: JISB8363/ISO1179-3
 Material: Carbon steel · Stainless steel · Copper

Surface protection:
 Trivalent chromium environmental protection zinc layer
 Description:
 For instructions on assembly, embedding,
 and pressure load as well as allowable
 operating temperature, please refer to the
 technical information for fastening sleeve bolts



| Drawing No. | T1 | L | L1 | S1 | O-Ring |
|-------------|---------|------|------|----|----------|
| S4G-04 | G1/4x19 | 19 | 11 | 19 | 10.8x2.4 |
| S4G-06 | G3/8x19 | 22 | 11.5 | 22 | 13.8x2.4 |
| S4G-08 | G1/2x14 | 27 | 14 | 27 | 17.8x2.4 |
| S4G-12 | G3/4x14 | 29.5 | 15.5 | 32 | 23.7x3.5 |
| S4G-16 | G1x11 | 34 | 18 | 41 | 28.7x3.5 |

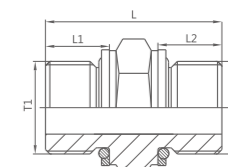
Remarks: For plane seal, add the letter "P" after the drawing number

Metric male thread light series

Characteristics

Structure type: Thread-Thread connection
 Structure form: Through
 Connection 1: Metric thread
 Sealing form: O-Ring seal
 Connection 2: Metric thread
 Sealing form: O-Ring seal
 Supply form: Connector body
 Standard: ISO6149-3

Material: Carbon steel · Stainless steel · Copper
 Surface protection:
 Trivalent chromium environmental protection zinc layer
 Description:
 For instructions on assembly, embedding,
 and pressure load as well as allowable
 operating temperature, please refer to the
 technical information for fastening sleeve bolts



| Drawing No. | T1 | T2 | L | L1 | L2 | S1 | O-Ring |
|-------------|---------|---------|----|------|------|----|----------|
| S1H-10 | M10x1 | M10x1 | 28 | 8.5 | 8.5 | 14 | 8.1x1.6 |
| S1H-12 | M12x1.5 | M12x1.5 | 33 | 11 | 11 | 17 | 9.3x2.2 |
| S1H-14 | M14x1.5 | M14x1.5 | 33 | 11 | 11 | 19 | 11.3x2.2 |
| S1H-16 | M16x1.5 | M16x1.5 | 34 | 11.5 | 11.5 | 22 | 13.3x2.2 |
| S1H-18 | M18x1.5 | M18x1.5 | 36 | 12.5 | 12.5 | 24 | 15.3x2.2 |
| S1H-22 | M22x1.5 | M22x1.5 | 39 | 13 | 13 | 27 | 19.3x2.2 |
| S1H-27 | M27x2 | M27x2 | 45 | 16 | 16 | 32 | 23.6x2.9 |
| S1H-33 | M33x2 | M33x2 | 48 | 16 | 16 | 41 | 29.6x2.9 |
| S1H-42 | M42x2 | M42x2 | 50 | 16 | 16 | 50 | 38.6x2.9 |
| S1H-48 | M48x2 | M48x2 | 53 | 17.5 | 17.5 | 55 | 44.6x2.9 |

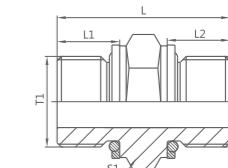
Note: Retainer ring is optional

Metric male thread heavy series ISO6149-2

Characteristics

Structure type: Thread-Thread connection
 Structure form: Through
 Connection 1: Metric thread
 Sealing form: O-Ring seal
 Connection 2: Metric thread
 Sealing form: O-Ring seal
 Supply form: Connector body
 Standard: ISO6149-2

Material: Carbon steel · Stainless steel · Copper
 Surface protection:
 Trivalent chromium environmental protection zinc layer
 Description:
 For instructions on assembly, embedding,
 and pressure load as well as allowable
 operating temperature, please refer to the
 technical information for fastening sleeve bolts



| Drawing No. | T1 | T2 | L | L1 | L2 | S1 | O-Ring |
|-------------|---------|---------|------|------|------|----|----------|
| S1H-10H | M10x1 | M10x1 | 31 | 9.5 | 9.5 | 14 | 8.1x1.6 |
| S1H-12H | M12x1.5 | M12x1.5 | 35.5 | 11 | 11 | 17 | 9.3x2.2 |
| S1H-14H | M14x1.5 | M14x1.5 | 35.5 | 11 | 11 | 19 | 11.3x2.2 |
| S1H-16H | M16x1.5 | M16x1.5 | 39 | 12.5 | 12.5 | 22 | 13.3x2.2 |
| S1H-18H | M18x1.5 | M18x1.5 | 42 | 14 | 14 | 24 | 15.3x2.2 |
| S1H-20H | M20x1.5 | M20x1.5 | 42 | 14 | 14 | 27 | 17.3x2.2 |
| S1H-22H | M22x1.5 | M22x1.5 | 46 | 15 | 15 | 27 | 19.3x2.2 |
| S1H-27H | M27x2 | M27x2 | 55.5 | 18.5 | 18.5 | 32 | 23.6x2.9 |
| S1H-33H | M33x2 | M33x2 | 56.5 | 18.5 | 18.5 | 41 | 29.6x2.9 |
| S1H-42H | M42x2 | M42x2 | 58 | 19 | 19 | 50 | 38.6x2.9 |
| S1H-48H | M48x2 | M48x2 | 63 | 21.5 | 21.5 | 55 | 44.6x2.9 |

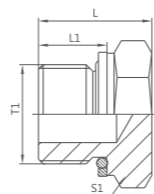
Note: Retainer ring is optional

Metric male thread light series outer hex plug

Characteristics

Structure type: Thread connection
 Structure form: Plug
 Connection 1: Metric thread
 Sealing form: O-Ring seal
 Supply form: Connector body
 Standard: ISO6149-3
 Material: Carbon steel · Stainless steel · Copper

Surface protection:
 Trivalent chromium environmental protection zinc layer
 Description:
 For instructions on assembly, embedding, and pressure load as well as allowable operating temperature, please refer to the technical information for fastening sleeve bolts



| Drawing No. | T1 | L | L1 | S1 | O-Ring |
|-------------|---------|------|------|----|----------|
| S4H-12 | M12x1.5 | 19.5 | 11 | 17 | 9.3x2.2 |
| S4H-14 | M14x1.5 | 19.5 | 11 | 19 | 11.3x2.2 |
| S4H-16 | M16x1.5 | 23 | 12.5 | 22 | 13.3x2.2 |
| S4H-18 | M18x1.5 | 24.5 | 14 | 24 | 15.3x2.2 |
| S4H-22 | M22x1.5 | 27.5 | 15 | 27 | 19.3x2.2 |
| S4H-27 | M27x2 | 32 | 18.5 | 32 | 23.6x2.9 |
| S4H-33 | M33x2 | 34.5 | 18.5 | 41 | 29.6x2.9 |
| S4H-42 | M42x2 | 37 | 19 | 50 | 38.6x2.9 |

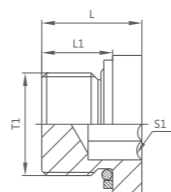
Note: Retainer ring is optional

Metric male thread light series inner hex plug

Characteristics

Structure type: Thread connection
 Structure form: Plug
 Connection 1: Metric male thread
 Sealing form: O-Ring seal
 Supply form: Connector body
 Standard: ISO6149-3
 Material: Carbon steel · Stainless steel · Copper

Surface protection:
 Trivalent chromium environmental protection zinc layer
 Description:
 For instructions on assembly, embedding, and pressure load as well as allowable operating temperature, please refer to the technical information for fastening sleeve bolts



| Drawing No. | T1 | L | L1 | S1 | O-Ring |
|-------------|---------|------|------|----|----------|
| S4HN-10 | M10x1 | 11.5 | 8.5 | 5 | 8.1x1.6 |
| S4HN-12 | M12x1.5 | 14 | 11 | 6 | 9.3x2.2 |
| S4HN-14 | M14x1.5 | 14 | 11 | 6 | 11.3x2.2 |
| S4HN-16 | M16x1.5 | 14 | 11.5 | 8 | 13.3x2.2 |
| S4HN-18 | M18x1.5 | 15.5 | 12.5 | 8 | 15.3x2.2 |
| S4HN-22 | M22x1.5 | 16 | 13 | 10 | 19.3x2.2 |
| S4HN-27 | M27x2 | 19 | 16 | 12 | 23.6x2.9 |
| S4HN-33 | M33x2 | 20 | 16 | 17 | 29.6x2.9 |
| S4HN-42 | M42x2 | 22 | 16 | 22 | 38.6x2.9 |
| S4HN-48 | M48x2 | 21.5 | 17.5 | 24 | 44.6x2.9 |

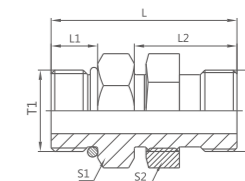
Note: Retainer ring is optional

American SAE male thread plug light series with O-ring

Characteristics

Structure type: Thread connection
 Structure form: Through
 Connection 1: American thread
 Sealing form: O-Ring seal
 Connection 2: American thread
 Sealing form: O-Ring seal
 Supply form: Connector body
 Standard: ISO11926-3

Material: Carbon steel · Stainless steel · Copper
 Surface protection:
 Trivalent chromium environmental protection zinc layer
 Description:
 For instructions on assembly, embedding, and pressure load as well as allowable operating temperature, please refer to the technical information for fastening sleeve bolts



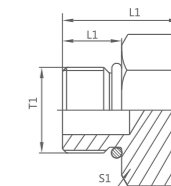
| Drawing No. | T1 | T2 | L | L1 | L2 | S1 | S2 | Flat nut | T1 end O-Ring | T2 end O-Ring |
|-------------|-------------|-------------|------|-------|----|----|----|----------|---------------|---------------|
| S10-04OG | 7/16x20UNF | 7/16x20UNF | 33 | 9.14 | 18 | 14 | 17 | 8JL-04 | 9.17x1.83 | 9.17x1.83 |
| S10-04-06OG | 7/16x20UNF | 9/16x19UNF | 35.1 | 9.14 | 20 | 17 | 19 | 8JL-06 | 9.17x1.83 | 11.89x1.83 |
| S10-06OG | 9/16x18UNF | 9/16x19UNF | 36 | 9.93 | 20 | 17 | 19 | 8JL-06 | 11.89x1.83 | 11.89x1.83 |
| S10-06-08OG | 9/16x18UNF | 3/4x16UNF | 40 | 9.93 | 22 | 22 | 24 | 8JL-08 | 11.89x1.83 | 16.36x2.21 |
| S10-08OG | 3/4x16UNF | 3/4x16UNF | 40 | 11.13 | 22 | 22 | 24 | 8JL-08 | 16.36x2.21 | 16.36x2.21 |
| S10-08-12OG | 3/4x16UNF | 1 1/16x12UN | 51 | 11.13 | 29 | 32 | 32 | 8JL-12 | 16.36x2.21 | 23.47x2.95 |
| S10-10OG | 7/8x14UNF | 7/8x14UNF | 46 | 12.7 | 26 | 27 | 27 | 8JL-10 | 19.18x2.46 | 19.18x2.46 |
| S10-12OG | 1 1/16x12UN | 1 1/16x12UN | 54 | 15.1 | 29 | 32 | 32 | 8JL-12 | 23.47x2.95 | 23.47x2.95 |
| S10-16OG | 1 5/16x12UN | 1 5/16x12UN | 54 | 15.1 | 29 | 38 | 41 | 8JL-16 | 29.74x2.95 | 29.74x2.95 |
| S10-20OG | 1 5/8x12UN | 1 5/8x12UN | 54 | 15.1 | 29 | 50 | 50 | 8JL-20 | 37.47x3 | 37.47x3 |
| S10-24OG | 1 7/8x12UN | 1 7/8x12UN | 54 | 15.1 | 29 | 55 | 55 | 8JL-24 | 43.69x3 | 43.69x3 |

American SAE male thread plug light series with O-ring ISO11926-3

Characteristics

Structure type: Thread connection
 Structure form: Plug
 Connection 1: American thread
 Sealing form: O-Ring seal
 Supply form: Connector body
 Standard: ISO11926-3
 Material: Carbon steel · Stainless steel · Copper

Surface protection:
 Trivalent chromium environmental protection zinc layer
 Description:
 For instructions on assembly, embedding, and pressure load as well as allowable operating temperature, please refer to the technical information for fastening sleeve bolts



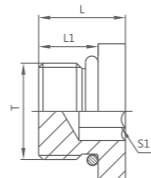
| Drawing No. | T | L | L1 | S1 | O-Ring |
|-------------|-------------|------|------|----|-------------|
| S4O-02 | 5/16x24UNF | 14.6 | 7.54 | 12 | — |
| S4O-03 | 3/8x24UNF | 14.6 | 7.54 | 14 | 7.65x1.63 |
| S4O-04 | 7/16x20UNF | 16 | 9.1 | 14 | 9.17.1x1.83 |
| S4O-05 | 1/2x20UNF | 16 | 9.1 | 17 | 10.52x1.83 |
| S4O-06 | 9/16x18UNF | 17.5 | 9.9 | 17 | 11.89x1.83 |
| S4O-08 | 3/4x16UNF | 19.5 | 11.1 | 22 | 16.36x2.21 |
| S4O-10 | 7/8x14UNF | 23 | 12.7 | 27 | 19.18x2.46 |
| S4O-12 | 1 1/16x12UN | 26.5 | 15.1 | 32 | 23.47x2.95 |
| S4O-14 | 1 3/16x12UN | 27 | 15.1 | 36 | 26.62x2.95 |
| S4O-16 | 1 5/16x12UN | 27.5 | 15.1 | 38 | 29.74x2.95 |
| S4O-20 | 1 5/8x12UN | 30 | 15.1 | 50 | 37.47x3 |
| S4O-24 | 1 7/8x12UN | 30 | 15.1 | 55 | 43.69x3 |
| S4O-32 | 2 1/2x12UN | 32 | 15.1 | 70 | 59.36x3 |

American SAE male thread inner hex plug light series with O-ring

Characteristics

Structure type: Thread connection
 Structure form: Plug
 Connection 1: American thread
 Sealing form: O-Ring seal
 Supply form: Connector body
 Standard: ISO11926-3
 Material: Carbon steel · Stainless steel · Copper

Surface protection:
 Trivalent chromium environmental protection zinc layer
 Description:
 For instructions on assembly, embedding, and pressure load as well as allowable operating temperature, please refer to the technical information for fastening sleeve bolts



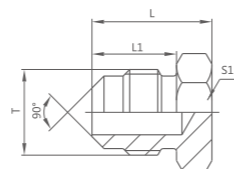
| Drawing No. | T | L | L1 | S1 | O-Ring |
|-------------|-------------|------|------|----|------------|
| S40N-04 | 7/16x20UNF | 11.5 | 9.1 | 5 | 9.17x1.83 |
| S40N-05 | 1/2x20UNF | 11.5 | 9.1 | 5 | 10.52x1.83 |
| S40N-06 | 9/16x18UNF | 12.2 | 9.9 | 6 | 11.89x1.83 |
| S40N-08 | 3/4x16UNF | 14.3 | 11.1 | 8 | 16.36x2.21 |
| S40N-10 | 7/8x14UNF | 16 | 12.7 | 10 | 19.18x2.46 |
| S40N-12 | 1 1/16x12UN | 19 | 15.1 | 14 | 23.47x2.95 |
| S40N-16 | 1 5/16x12UN | 19 | 15.1 | 16 | 29.74x2.95 |
| S40N-20 | 1 5/8x12UN | 19 | 15.1 | 19 | 37.47x3 |

American SAE male thread 90° outer cone plug

Characteristics

Structure type: Thread connection
 Structure form: Plug
 Connection 1: American thread
 Sealing form: 90° cone seal
 Supply form: Connector body
 Standard: SAEJ513
 Material: Carbon steel · Stainless steel · Copper

Surface protection:
 Trivalent chromium environmental protection zinc layer
 Description:
 For instructions on assembly, embedding, and pressure load as well as allowable operating temperature, please refer to the technical information for fastening sleeve bolts



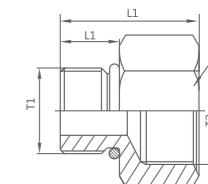
| Drawing No. | T | L | L1 | S1 |
|-------------|-------------|------|------|----|
| S4P-04 | 7/16x20UNF | 18.5 | 12.7 | 14 |
| S4P-05 | 1/2x20UNF | 20 | 14.2 | 14 |
| S4P-06 | 5/8x18UNF | 22 | 15.7 | 17 |
| S4P-08 | 3/4x16UNF | 27 | 19 | 22 |
| S4P-10 | 7/8x14UNF | 30.5 | 22.4 | 24 |
| S4P-12 | 1 1/16x12UN | 35.5 | 25.4 | 30 |

American SAE male thread inner hex light series with O-ring
 American SAE female thread light series

Characteristics

Structure type: Thread connection
 Structure form: Through
 Connection 1: American thread
 Sealing form: O-Ring seal
 Connection 2: American thread
 Sealing form: O-Ring seal
 Supply form: Connector body
 Standard: ISO11926-1/ISO11926-3

Material: Carbon steel · Stainless steel · Copper
 Surface protection:
 Trivalent chromium environmental protection zinc layer
 Description:
 For instructions on assembly, embedding, and pressure load as well as allowable operating temperature, please refer to the technical information for fastening sleeve bolts



| Drawing No. | T1 | T2 | L | L1 | S1 | O-Ring |
|-------------|-------------|-------------|------|-------|----|------------|
| S50-04-06 | 7/16x20UNF | 9/16x18UNF | 31 | 9.14 | 22 | 9.17x1.83 |
| S50-06-04 | 9/16x18UNF | 7/16x20UNF | 28 | 9.93 | 17 | 11.89x1.83 |
| S50-06-08 | 9/16x18UNF | 3/4x16UNF | 36 | 9.93 | 27 | 11.89x1.83 |
| S50-08-06 | 3/4x16UNF | 9/16x18UNF | 31.5 | 11.13 | 22 | 16.36x2.21 |
| S50-08-10 | 3/4x16UNF | 7/8x14UNF | 38 | 11.13 | 30 | 16.36x2.21 |
| S50-08-12 | 3/4x16UNF | 1 1/16x12UN | 36 | 11.13 | 32 | 16.36x2.21 |
| S50-10 | 7/8x14UNF | 7/8x14UNF | 38 | 12.7 | 30 | 19.18x2.46 |
| S50-10-06 | 7/8x14UNF | 9/16x18UNF | 20.6 | 12.7 | 27 | 19.18x2.46 |
| S50-10-08 | 7/8x14UNF | 3/4x16UNF | 35 | 12.7 | 27 | 19.18x2.46 |
| S50-10-12 | 7/8x14UNF | 1 1/16x12UN | 43 | 12.7 | 36 | 19.18x2.46 |
| S50-12-08 | 1 1/16x12UN | 3/4x16UNF | 26 | 15.09 | 32 | 23.47x2.95 |
| S50-12-10 | 1 1/16x12UN | 7/8x14UNF | 40.5 | 15.1 | 32 | 23.47x2.95 |
| S50-12-16 | 1 1/16x12UN | 1 5/16x12UN | 45 | 15.1 | 41 | 23.47x2.95 |
| S50-14-12 | 1 3/16x12UN | 1 1/16x12UN | 43 | 15.1 | 36 | 26.62x2.95 |
| S50-16-06 | 1 5/16x12UN | 9/16x18UNF | 26 | 15.1 | 38 | 29.74x2.95 |
| S50-16-10 | 1 5/16x12UN | 7/8x14UNF | 26 | 15.1 | 38 | 29.74x2.95 |
| S50-16-12 | 1 5/16x12UN | 1 1/16x12UN | 43.5 | 15.1 | 38 | 29.74x2.95 |
| S50-16-14 | 1 5/16x12UN | 1 3/16x12UN | 43 | 15.1 | 38 | 29.74x2.95 |
| S50-16-20 | 1 5/16x12UN | 1 5/8x12UN | 46.5 | 15.1 | 50 | 29.74x2.95 |
| S50-20-12 | 1 5/8x12UN | 1 1/16x12UN | 35 | 15.1 | 50 | 37.47x3 |
| S50-20-16 | 1 5/8x12UN | 1 5/16x12UN | 42 | 15.1 | 50 | 37.47x3 |
| S50-20-24 | 1 5/8x12UN | 1 7/8x12UN | 48 | 15.1 | 55 | 37.47x3 |
| S50-24-16 | 1 7/8x12UN | 1 5/16x12UN | 35 | 15.1 | 55 | 43.69x3 |
| S50-24-20 | 1 7/8x12UN | 1 5/8x12UN | 45 | 15.1 | 55 | 43.69x3 |
| S50-32-20 | 2 1/2x12UN | 1 5/8x12UN | 32 | 15.1 | 70 | 59.36x3 |
| S50-32-24 | 2 1/2x12UN | 1 7/8x12UN | 32 | 15.1 | 70 | 59.36x3 |

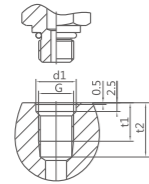
Other connectors

Other connectors

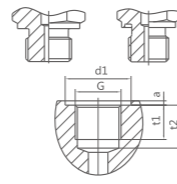
Pressure measuring connector

Screw-in hole and seal type

Type A



Type B and C

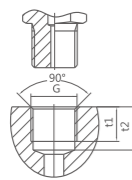


According to DIN 3852 / ISO 9974-1 (Metric) and ISO1179-1 (British)

| G | d1 ^{+0.10} ₀ | t1/mm | t2/mm |
|-------|----------------------------------|-------|-------|
| M8x1 | 9.5 | 11 | 15.5 |
| M10x1 | 11.5 | 12 | 16.5 |

| G | d1 ^{+0.10} | t1/mm | t2/mm | a/max |
|---------|---------------------|-------|-------|-------|
| M10X1 | 15 | 8 | 10 | 1 |
| M12X1.5 | 18 | 12 | 15 | 1.5 |
| M14X1.5 | 20 | 12 | 15 | 1.5 |
| M16X1.5 | 23 | 12 | 15 | 1.5 |
| M18X1.5 | 25 | 12 | 15 | 2 |
| M20X1.5 | 27 | 14 | 17 | 2 |
| M22X1.5 | 28 | 14 | 17 | 2.5 |
| G1/8 | 15 | 8.5 | 10.5 | 1 |
| G1/4 | 20 | 12.5 | 15.5 | 1.5 |
| G3/8 | 23 | 12.5 | 15.5 | 2 |
| G1/2 | 28 | 14.5 | 18.5 | 2.5 |

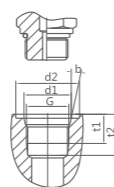
Type D



Z-type cylindrical screw-in hole, according to DIN 3852 (British)

| G | t1/mm | t2/mm |
|--------|-------|-------|
| RP 1/8 | 5.5 | 9.5 |
| RP 1/4 | 8.5 | 13.5 |
| RP 3/8 | 8.5 | 13.5 |
| RP 1/2 | 10.5 | 16.5 |

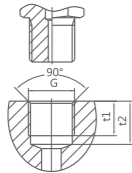
Type E



According to ISO 6140-1 (metric) ISO 11926-1 (UNF)

| G | d1 ^{+0.10} ₀ | d2/min | t1/mm | t2/mm | a+0.4 | b/max | z±1° |
|------------|----------------------------------|--------|-------|-------|-------|-------|------|
| M10X1 | 11.1 | 16 | 10 | 11.5 | 1.6 | 1 | 12° |
| M12X1.5 | 13.8 | 19 | 11.5 | 14 | 2.4 | 1.5 | 15° |
| M14X1.5 | 15.8 | 21 | 11.5 | 14 | 2.4 | 1.5 | 15° |
| M16X1.5 | 17.8 | 24 | 13 | 15.5 | 2.4 | 1.5 | 15° |
| M22X1.5 | 23.8 | 29 | 15.5 | 18 | 2.4 | 2 | 15° |
| M27X2 | 29.4 | 34 | 19 | 22 | 3.1 | 2 | 15° |
| 5/16-24UNF | 9.1 | 17 | 10 | 12 | 1.9 | 1.6 | 12° |
| 7/16-20UNF | 12.4 | 21 | 11.5 | 14 | 2.4 | 1.6 | 12° |
| 1/2-20UNF | 14 | 23 | 11.5 | 14 | 2.4 | 1.6 | 12° |
| 9/16-18UNF | 15.65 | 25 | 12.7 | 15.5 | 2.5 | 1.6 | 12° |
| 7/8-14UNF | 23.95 | 34 | 16.7 | 20 | 2.5 | 2.4 | 12° |

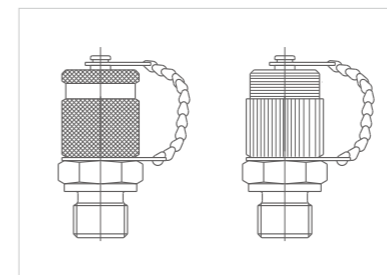
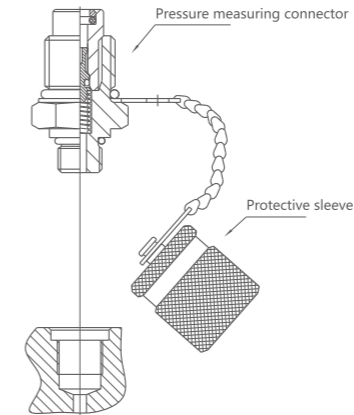
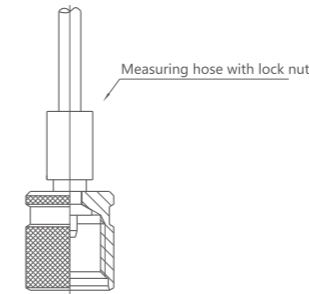
Type D



Conical screw-in hole ANS/ASME B1.20.1-1983 (NPT)

| G | t1/min | t2/min |
|-----------|--------|--------|
| 1/8-27NPT | 8.9 | 11.6 |
| 1/4-18NPT | 10 | 16.4 |
| 1/2-14NPT | 13.6 | 22.6 |

Test 20 model SMK, adaptive thread M16X2



All test 20 series connectors can be supplied with steel or plastic hex protective caps

Quick-change connector, for:

- Pressure monitoring and detection
- Gas exhaust
- Sampling in high and low pressure systems

Advantage:

- Connected under system pressure
- The connection before the steel ball is opened is sealed well without pressure loss
- Measurement, inspection and switching instruments can be easily connected
- Metal protective cap will not loosen

Rated pressure:

- Allowable working pressure: 630 bar
- For G and K type SKK pressure measuring connectors, the allowable working pressure must comply with the relevant regulations of the bolt fastener manufacturer
- Connected under up to 400 bar

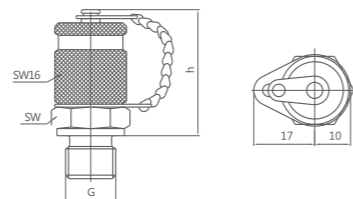
Material:

- Metal parts: galvanized steel, chromic acid passivation, stainless steel; please contact us for this.
- Steel ball: stainless steel
- Seals
 - P = NBR (nitrile rubber) Temperature range: -20 to + 100°C
 - V = FPM (Fluorine rubber) Temperature range: -20 to + 200°C
 - E = EPDM (Ethylene-propylene rubber), suitable for brake fluid Temperature range: -40 to + 150°C
- Hose: Polyamide Temperature range: -35 to + 100°C
- Nitrile rubber anti-vibration O-ring

Working medium:

- Suitable hydraulic oil and other mineral oil-based oils (note compatibility with sealing materials)
- When using other medium, relevant information must be provided and confirmed before ordering

Pressure measuring connector with protective cap



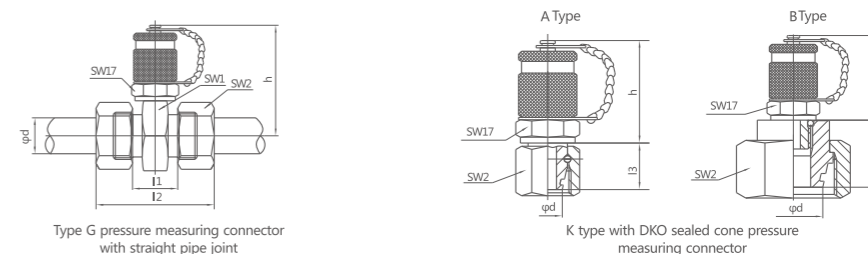
| Screw-in thread | Seals | Working pressure bar | h | SW | Order code | |
|-----------------|----------------------|----------------------------------|-----|----|-------------------|-------------------|
| | | | | | NBR | FRM |
| M8x1 | Working pressure bar | 250 | 38 | 17 | SMK-M8x1-PA | SMK-M8x1-VA |
| M10x1 | | 630 | 38 | 17 | SMK20-M10x1-PA | SMK20-M10x1-VA |
| M10x1 | | 400 | 37 | 17 | SMK20-M10x1-PB | SMK20-M10x1-VB |
| M12x1.5 | B type metal seal | 630 | 37 | 17 | SMK20-M12x1.5-PB | SMK20-M12x1.5-VB |
| M14x1.5 | | 630 | 37 | 19 | SMK20-M14x1.5-PB | SMK20-M14x1.5-VB |
| M16x1.5 | | 630 | 37 | 22 | SMK20-M16x1.5-PB | SMK20-M16x1.5-VB |
| G1/8 | | 400 | 7 | 17 | SMK20-G1/4-PB | SMK20-G1/4-VB |
| G1/4 | | 630 | 37 | 19 | SMK20-G1/4-PB | SMK20-G1/4-VB |
| G3/8 | C type soft seal | 630 | 37 | 22 | SMK20-G3/8-PB | SMK20-G3/8-VB |
| M10x1 | | 400 | 39 | 17 | SMK20-M10x1-PC | SMK20-M10x1-VC |
| M12x1.5 | | 630 | 37 | 17 | SMK20-M12x1.5-PC | SMK20-M12x1.5-VC |
| M14x1.5 | | 630 | 37 | 19 | SMK20-M14x1.5-PC | SMK20-M14x1.5-VC |
| M16x1.5 | | 630 | 37 | 22 | SMK20-M16x1.5-PC | SMK20-M16x1.5-VC |
| G1/8 | | 400 | 39 | 17 | SMK20-G1/8-PC | SMK20-G1/8-VC |
| G1/4 | | 630 | 37 | 19 | SMK20-G1/4-PC | SMK20-G1/4-VC |
| G3/8 | | 630 | 37 | 22 | SMK20-G3/8-PC | SMK20-G3/8-VC |
| G1/2 | | 630 | 39 | 27 | SMK20-G1/2-PC | SMK20-G1/2-VC |
| R1/8K | | D-thread requires proper sealant | 400 | 37 | 17 | SMK20-R1/8K-PD |
| R1/4K | 630 | | 35 | 17 | SMK20-R1/4K-PD | SMK20-R1/4K-VD |
| 1/8NPT | 400 | | 36 | 17 | SMK20-R1/4NPT-PD | SMK20-R1/4NPT-VD |
| 1/4NPT | 630 | | 35 | 17 | SMK20-R1/8NPT-PD | SMK20-R1/8NPT-VD |
| 5/16-24UNF | E-type O-ring | 400 | 38 | 17 | SMK20-5/16UNF-PE | SMK20-5/16UNF-VE |
| 7/16-20UNF | | 630 | 38 | 17 | SMK20-7/16UNF-PE | SMK20-7/16UNF-VE |
| 1/2-20UNF | | 630 | 38 | 17 | SMK20-1/2UNF-PE | SMK20-1/2UNF-VE |
| 9/16-18UNF | | 630 | 37 | 19 | SMK20-9/16-UNF-PE | SMK20-9/16-UNF-VE |
| M10X1 | | 630 | 38 | 17 | SMK20-M10x1-PE | SMK20-M10x1-VE |
| M12X1.5 | | 630 | 37 | 17 | SMK20-M12X1.5-PE | SMK20-M12X1.5-VE |
| M14X1.5 | | 630 | 38 | 19 | SMK20-M14X1.5-PE | SMK20-M14X1.5-VE |

When ordering pressure measuring connectors with metal hex protective caps, please add "_SK" after the ordering code

When ordering pressure measuring connectors with plastic hex protective caps, please add "_KK" after the ordering code

For other screw-in and sealing types, please contact us.

Pressure measuring connector SMK (24° pipe connector, according to DIN 2353)

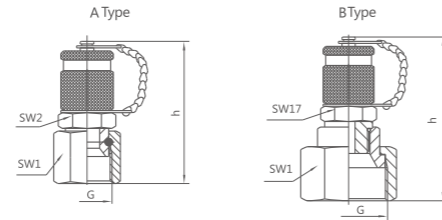


| Structure series | PN | Pipe diameter ϕd | l1 | l2 | l3 | h | SW1 | SW2 | Type | Order code | |
|------------------|-----|------------------------|----|----|------|------|-----|-----|------|--------------|-----------------|
| | | | | | | | | | | G Type | K Type |
| L | 315 | 6 | 51 | 21 | 15.5 | 49 | 24 | 14 | A | SMK20-06L-PG | SMK20-06L-PK |
| | | 8 | 51 | 21 | 15.5 | 49 | 24 | 17 | A | SMK20-08L-PG | SMK20-08L-PK |
| | | 10 | 53 | 23 | 16.5 | 49 | 24 | 19 | A | SMK20-10L-PG | SMK20-10L-PK |
| | | 12 | 53 | 23 | 17.5 | 50.5 | 27 | 22 | A | SMK20-12L-PG | SMK20-12L-PK |
| | | 15 | 55 | 25 | 21 | 52 | 30 | 27 | B | SMK20-15L-PG | SMK20-15L-PK-GS |
| | | 18 | 57 | 24 | 19.5 | 53 | 32 | 32 | B | SMK20-18L-PG | SMK20-18L-PK-GS |
| | | 22 | 61 | 28 | 20.5 | 55 | 36 | 36 | B | SMK20-22L-PG | SMK20-22L-PK-GS |
| | | 28 | 61 | 28 | 25 | 57.5 | 41 | 41 | B | SMK20-28L-PG | SMK20-28L-PK-GS |
| | | 35 | 69 | 26 | 30 | 60 | 46 | 50 | B | SMK20-35L-PG | SMK20-35L-PK-GS |
| | | 42 | 71 | 25 | 31 | 64.5 | 55 | 60 | B | SMK20-42L-PG | SMK20-42L-PK-GS |
| S | 630 | 6 | 55 | 25 | 14.5 | 49 | 24 | 17 | A | SMK20-06S-PG | SMK20-06S-PK |
| | | 8 | 55 | 25 | 16.5 | 49 | 24 | 19 | A | SMK20-08S-PG | SMK20-08S-PK |
| | | 10 | 57 | 24 | 16.5 | 49 | 24 | 22 | A | SMK20-10S-PG | SMK20-10S-PK |
| | | 12 | 57 | 24 | 17.5 | 49 | 24 | 24 | A | SMK20-12S-PG | SMK20-12S-PK |
| | | 14 | 63 | 27 | 19.5 | 50.5 | 27 | 27 | B | SMK20-14S-PG | SMK20-14S-PK-GS |
| | 400 | 16 | 63 | 26 | 18 | 52 | 30 | 30 | B | SMK20-16S-PG | SMK20-16S-PK-GS |
| | | 20 | 69 | 26 | 24 | 55 | 36 | 36 | B | SMK20-20S-PG | SMK20-20S-PK-GS |
| | | 25 | 75 | 27 | 26 | 57.5 | 41 | 46 | B | SMK20-25S-PG | SMK20-25S-PK-GS |
| | | 30 | 81 | 28 | 30 | 60 | 46 | 50 | B | SMK20-30S-PG | SMK20-30S-PK-GS |
| | | 38 | 91 | 29 | 34 | 64.5 | 55 | 60 | B | SMK20-38S-PG | SMK20-38S-PK-GS |

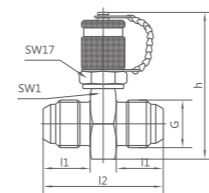
When FPM is used as the sealing material, the ordering code is "V" instead of "P"

When EPDM is used as the sealing material, the ordering code is "E" instead of "P"

Pressure measuring connector SMK
(37°, -JIC pipe connector, according to SAE J514)



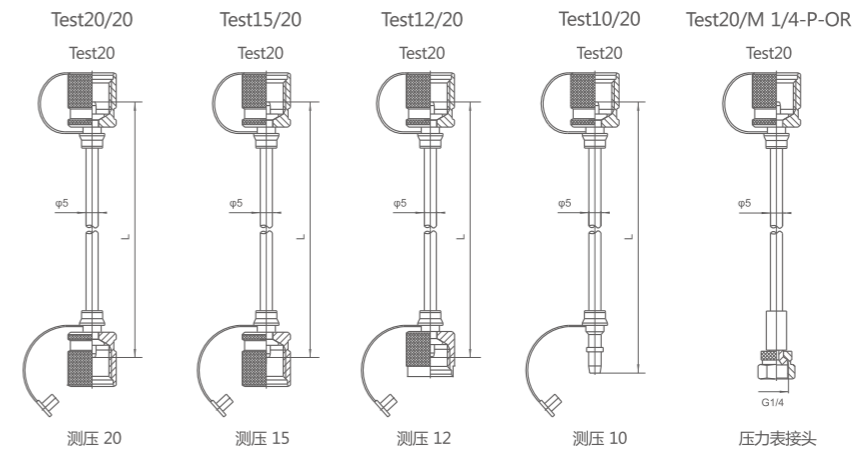
| Nominal diameter, Inch | JIC grade | G | h | SW1 | SW2 | Model | Order code | |
|------------------------|-----------|-------------|------|-----|-----|-------|----------------------|----------------------|
| | | | | | | | NBR | FPM |
| 1/4 | -4 | 7/16-20UNF | 53 | 17 | 17 | A | SMK20-JIC1/4-PK | SMK20-JIC1/4-VK |
| 5/16 | -5 | 1/2-20UNF | 53.5 | 17 | 17 | A | SMK20-JIC5/16-PK | SMK20-JIC5/16-VK |
| 3/8 | -6 | 9/16-18UNF | 55.5 | 19 | 17 | A | SMK20-JIC3/8-PK | SMK20-JIC3/8-VK |
| 1/2 | -8 | 3/4-16UNF | 56.5 | 22 | 19 | A | SMK20-JIC1/2-PK | SMK20-JIC1/2-VK |
| 5/8 | -10 | 7/8-14UNF | 60 | 27 | 22 | A | SMK20-JIC5/8-PK | SMK20-JIC5/8-VK |
| 3/4 | -12 | 1 1/16-12UN | 70.5 | 32 | — | B | SMK20-JIC3/4-PK-GS | SMK20-JIC3/4-VK-GS |
| 1 | -16 | 1 5/16-12UN | 69 | 38 | — | B | SMK20-JIC1-PK-GS | SMK20-JIC1-VK-GS |
| 1 1/4 | -20 | 1 5/8-12UN | 73.5 | 50 | — | B | SMK20-JIC1 1/4-PK-GS | SMK20-JIC1 1/4-VK-GS |
| 1 1/2 | -24 | 1 7/8-12UN | 76 | 60 | — | B | SMK20-JIC1 1/2-PK-GS | SMK20-JIC1 1/2-VK-GS |



| Nominal diameter, Inch | JIC grade | G | l1 | l2 | SW2 | Type | |
|------------------------|-----------|-------------|------|------|-----|-------------------|-------------------|
| | | | | | | NBR | FPM |
| 1/4 | -4 | 7/16-20UNF | 43 | 14 | 24 | SMK20-JIC1/4-PG | SMK20-JIC1/4-VG |
| 5/16 | -5 | 1/2-20UNF | 43 | 14 | 24 | SMK20-JIC5/16-PG | SMK20-JIC5/16-VG |
| 3/8 | -6 | 9/16-18UNF | 43 | 14 | 24 | SMK20-JIC3/8-PG | SMK20-JIC3/8-VG |
| 1/2 | -8 | 3/4-16UNF | 48.5 | 16.5 | 30 | SMK20-JIC1/2-PG | SMK20-JIC1/2-VG |
| 5/8 | -10 | 7/8-14UNF | 53.5 | 19.5 | 30 | SMK20-JIC5/8-PG | SMK20-JIC5/8-VG |
| 3/4 | -12 | 1 1/16-12UN | 59 | 22 | 36 | SMK20-JIC3/4-PG | SMK20-JIC3/4-VG |
| 1 | -16 | 1 5/16-12UN | 61 | 23 | 41 | SMK20-JIC1-PG | SMK20-JIC1-VG |
| 1 1/4 | -20 | 1 5/8-12UN | 65.5 | 24.5 | 46 | SMK20-JIC1 1/4-PG | SMK20-JIC1 1/4-VG |
| 1 1/2 | -24 | 1 7/8-12UN | 72 | 27.5 | 55 | SMK20-JIC1 1/2-PG | SMK20-JIC1 1/2-VG |

Pressure measuring connector and pressure measuring hose

Measuring hose SMS (SGS for gaseous media)



- Allowable working pressure 400 bar
- Measuring hose:
- Nominal diameter: 2mm
 - Bending radius is at least 20mm
 - Nominal diameter is also available as 4mm
- Pressure utilization:
- 122% at 0°C
 - 110% at 30°C
 - 100% at 50°C
 - 86% at 80°C
 - 77% at 100°C
- Hose structure:
- Core pipe and surface: PA
 - Pressure bearing material: synthetic fibers
 - Burst pressure: 1100 bar

| L | Order description | | | | |
|------|-------------------|------------------|------------------|------------------|-------------------------|
| | Test 20/20 | Test15/20 | Test12/20 | Test10/20 | Test20/M1/4-P-OR |
| 200 | SMS-20-200-A | SMS-15/20-200-A | SMS-12/20-200-A | SMS-10/20-200-A | SMS-20/M1/4-P-OR-200-A |
| 400 | SMS-20-400-A | SMS-15/20-400-A | SMS-12/20-400-A | SMS-10/20-400-A | SMS-20/M1/4-P-OR-400-A |
| 630 | SMS-20-630-A | SMS-15/20-530-A | SMS-12/20-530-A | SMS-10/20-530-A | SMS-20/M1/4-P-OR-630-A |
| 800 | SMS-20-800-A | SMS-15/20-800-A | SMS-12/20-800-A | SMS-10/20-800-A | SMS-20/M1/4-P-OR-800-A |
| 1000 | SMS-20-1000-A | SMS-15/20-1000-A | SMS-12/20-1000-A | SMS-10/20-1000-A | SMS-20/M1/4-P-OR-1000-A |
| 1500 | SMS-20-1500-A | SMS-15/20-1500-A | SMS-12/20-1500-A | SMS-10/20-1500-A | SMS-20/M1/4-P-OR-1500-A |
| 2000 | SMS-20-2000-A | SMS-15/20-2000-A | SMS-12/20-2000-A | SMS-10/20-2000-A | SMS-20/M1/4-P-OR-2000-A |
| 2500 | SMS-20-2500-A | SMS-15/20-2500-A | SMS-12/20-2500-A | SMS-10/20-2500-A | SMS-20/M1/4-P-OR-2500-A |
| 3200 | SMS-20-3200-A | SMS-15/20-3200-A | SMS-12/20-3200-A | SMS-10/20-3200-A | SMS-20/M1/4-P-OR-3200-A |
| 4000 | SMS-20-4000-A | SMS-15/20-4000-A | SMS-12/20-4000-A | SMS-10/20-4000-A | SMS-20/M1/4-P-OR-4000-A |

- Special thread: For Zigzag thread S 12.65x1.5, please contact us!
- For connection thread 1/4NPT, G1/2 and 1/2NPT, please contact us!
- For bending protection and other lengths, please contact us!

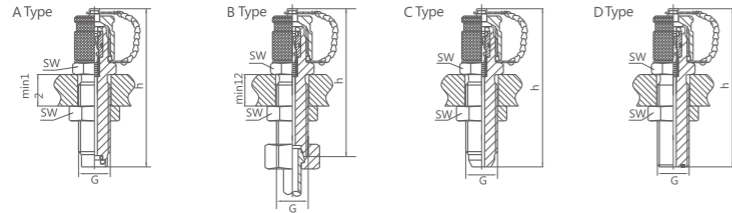
Adapter SAD

| A style | B style | Connection thread G | h | Type | Order model | |
|---------|---------|---------------------|----|------|-------------|------------|
| | | | | | NBR | FPM |
| | | M16X1.5 | 39 | A | SAD20/15-P | SAD20/15-V |
| | | ⁽¹⁾ S12 | 39 | A | SAD20/12-P | SAD20/12-V |
| | | Plug-in | 37 | B | SAD20/10-P | SAD20/10-V |

(1) Special thread: Zigzag thread S 12.65x1.5

Pressure measuring connector and pressure measuring hose

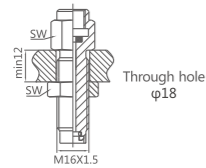
Bulkhead connector SSK (type SSKK when used for gaseous media) M16X2



| Connection thread G | h | SW | Type | Order code | |
|----------------------------|----|----|------|---------------------|---------------------|
| | | | | NBR | FPM |
| M16 | 72 | 19 | A | SSK20-P | SSK20-V |
| M14x1.5 ⁽¹⁾ | 72 | 19 | B | SSK20/08L-P | SSK20/08L-V |
| M16x1.5 ⁽¹⁾ | 72 | 22 | B | SSK20/08S-P | SSK20/08S-V |
| M18x1.5 ⁽¹⁾ | 72 | 22 | B | SSK20/12L-P | SSK20/12L-V |
| 7/16-20UNF ⁽²⁾ | 66 | 17 | C | SSK20/J7/16UNF-MV-P | SSK20/J7/16UNF-MV-V |
| 9/16-18UNF ⁽²⁾ | 67 | 22 | D | SSK20-04-ORFS-P | SSK20-04-ORFS-V |
| 11/16-16UNF ⁽³⁾ | 72 | 27 | D | SSK20-06-ORFS-P | SSK20-06-ORFS-V |
| 13/16-16UNF ⁽³⁾ | 75 | 30 | D | SSK20-08-ORFS-P | SSK20-08-ORFS-V |

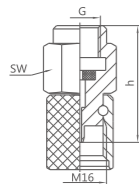
- (1) Ferrule connection 08L/08S/12L, according to DIN 2353
- (2) JIC cone connection, according to SAE J514
- (3) End O-ring, according to SAE J1453

Pressure gauge connector SMA



| Connection thread G | h | SW | NBR | FPM |
|---------------------|----|----|-----------------|-----------------|
| G1/4 | 54 | 19 | SMA20-G1/4-P-OR | SMA20-G1/4-V-OR |
| G1/2 | 64 | 27 | SMA20-G1/2-P-OR | SMA20-G1/2-V-OR |
| 1/4NPT | 54 | 19 | SMA20-1/4NPT-P | SMA20-1/4NPT-V |
| 1/2NPT | 64 | 27 | SMA20-1/2NPT-P | SMA20-1/2NPT-V |
| 9/16-18UNF | 57 | 19 | SMA20-9/16UNF-P | SMA20-9/16UNF-V |

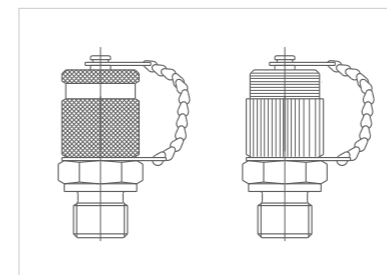
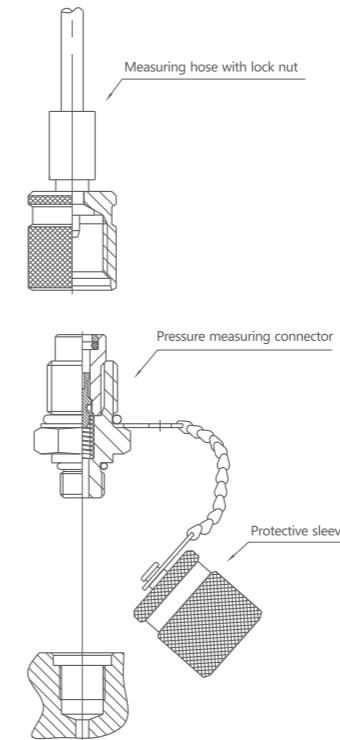
Pressure gauge connector SMD



| Connection thread G | h | SW | Order code | |
|---------------------|----|----|-----------------|-----------------|
| | | | NBR | FPM |
| G1/4 | 41 | 19 | SMD20-G1/4-P-OR | SMD20-G1/4-V-OR |
| G1/2 | 51 | 27 | SMD20-G1/2-P-OR | SMD20-G1/2-V-OR |
| 1/4NPT | 41 | 19 | SMD20-1/4NPT | SMD20-1/4NPT |
| 1/2NPT | 51 | 27 | SMD20-1/2-NPT | SMD20-1/2NPT |
| 7/16-20UNF | 41 | 19 | SMD20-7/16UNF | SMD20-7/16UNF |

☎ For shock absorbers, please contact us!

Test 20 Model SKK



All test 20 series connectors can be supplied with steel or plastic hex protective caps

Quick-change connector, for:

- Pressure monitoring and detection
- Gas exhaust
- Sampling in high and low pressure systems

Advantages:

- Connected under system pressure
- The connection before the cone valve is well sealed without pressure loss
- Measurement, inspection and switching instruments can be easily connected
- Metal protective cap will not loosen

Rated pressure:

- Allowable working pressure: 630 bar
- For G and K type SKK pressure measuring connectors, the allowable working pressure must comply with the relevant regulations of the bolt fastener manufacturer
- Connected under up to 400 bar

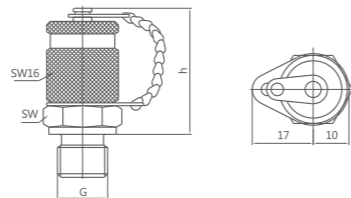
Material:

- Metal parts: galvanized steel, chromic acid passivation, stainless steel; please contact us
- Seals:
 - P = NBR (nitrile rubber) Temperature range: -20 to + 100°C
 - V = FPM (Fluorine rubber) Temperature range: -20 to + 200°C
 - E = EPDM (Ethylene-propylene rubber) Suitable for brake fluid Temperature range: -40 to +150°C
- Hose: Polyamide Temperature range: -35 to +100°C
- Nitrile rubber anti-vibration O-ring

Working medium:

- Suitable hydraulic oil and other mineral oil-based oils (note compatibility with sealing materials)
- When using other medium, relevant information must be provided and confirmed before ordering
- For gaseous medium and special sealing requirements, a special pressure measuring connector can be provided

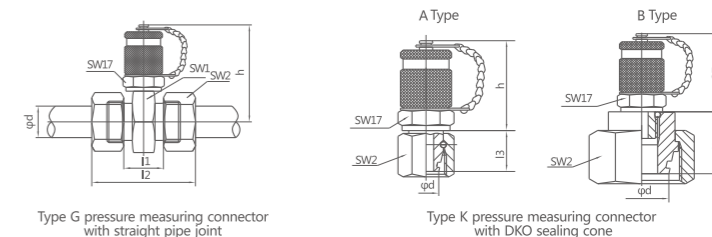
Test 20 model SKK adaptive thread M16X2
Pressure measuring connector with protective cap



| Screw-in head thread G | Seals | Working pressure | h | SW | Order code | | |
|------------------------|-------------------|---|-----|----|-------------------|-------------------|----------------|
| | | | | | NBR | FPM | |
| M8x1 | A-type O-ring | 250 | 38 | 17 | SKK-M8x1-PA | SKK-M8x1-VA | |
| M10x1 | | 630 | 38 | 17 | SKK20-M10x1-PA | SKK20-M10x1-VA | |
| M12x1.5 | | 630 | 37 | 17 | SKK20-M12x1.5-PB | SKK20-M12x1.5-VB | |
| M14x1.5 | B type metal seal | 630 | 37 | 19 | SKK20-M14x1.5-PB | SKK20-M14x1.5-VB | |
| M16x1.5 | | 630 | 37 | 22 | SKK20-M16x1.5-PB | SKK20-M16x1.5-VB | |
| G1/4 | | 630 | 37 | 19 | SKK20-G1/4-PB | SKK20-G1/4-VB | |
| G3/8 | | 630 | 37 | 22 | SKK20-G3/8-PB | SKK20-G3/8-VB | |
| M10x1 | C type soft seal | 400 | 39 | 17 | SKK20-M10x1-PC | SKK20-M10x1-VC | |
| M12x1.5 | | 630 | 37 | 17 | SKK20-M12x1.5-PC | SKK20-M12x1.5-VC | |
| M14x1.5 | | 630 | 37 | 19 | SKK20-M14x1.5-PC | SKK20-M14x1.5-VC | |
| M16x1.5 | | 630 | 37 | 22 | SKK20-M16x1.5-PC | SKK20-M16x1.5-VC | |
| G1/8 | | 400 | 39 | 17 | SKK20-G1/8-PC | SKK20-G1/8-VC | |
| G1/4 | | 630 | 37 | 19 | SKK20-G1/4-PC | SKK20-G1/4-VC | |
| G3/8 | | 630 | 37 | 22 | SKK20-G3/8-PC | SKK20-G3/8-VC | |
| G1/2 | | 630 | 39 | 27 | SKK20-G1/2-PC | SKK20-G1/2-VC | |
| R1/8K | | D type thread, with proper sealant required | 400 | 37 | 17 | SKK20-R1/8K-PD | SKK20-R1/8K-VD |
| R1/4K | | | 630 | 35 | 17 | SKK20-R1/4K-PD | SKK20-R1/4K-VD |
| 1/8NPT | 400 | | 36 | 17 | SKK20-R1/4NPT-PD | SKK20-R1/4NPT-VD | |
| 1/4NPT | 630 | | 35 | 17 | SKK20-R1/8NPT-PD | SKK20-R1/8NPT-VD | |
| 5/16-24UNF | E-type O-ring | 400 | 38 | 17 | SKK20-5/16UNF-PE | SKK20-5/16UNF-VE | |
| 7/16-20UNF | | 630 | 38 | 17 | SKK20-7/16UNF-PE | SKK20-7/16UNF-VE | |
| 1/2-20UNF | | 630 | 38 | 17 | SKK20-1/2UNF-PE | SKK20-1/2UNF-VE | |
| 9/16-18UNF | | 630 | 37 | 19 | SKK20-9/16-UNF-PE | SKK20-9/16-UNF-VE | |
| M12X1.5 | | 630 | 37 | 17 | SKK20-M12X1.5-PE | SKK20-M12X1.5-VE | |
| M14X1.5 | | 630 | 38 | 19 | SKK20-M14X1.5-PE | SKK20-M14X1.5-VE | |

- When ordering pressure measuring connectors with metal hex protective caps, please add "_SK" after the order code
- When ordering pressure measuring connectors with plastic hex protective caps, please add "_KK" after the order code
- For other screw-in thread and sealing types, please contact us

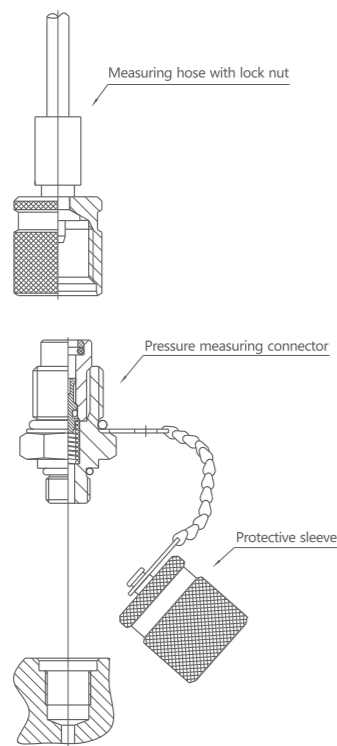
Test 20 Model SKK adaptive thread M16x2
Pressure measuring connector SKK
(24° pipe connector, according to DIN 2353)



| Structure series | PN | Diameter $\varnothing d$ | l1 | l2 | l3 | h | SW1 | SW2 | type | Order code | | | |
|------------------|-----|--------------------------|-----|----|------|------|------|-----|--------------|-----------------|-----------------|--------------|--------------|
| | | | | | | | | | | G Type | K Type | | |
| L | 315 | 6 | 51 | 21 | 15.5 | 49 | 24 | 14 | A | SKK20-06L-PG | SKK20-06L-PK | | |
| | | 8 | 51 | 21 | 15.5 | 49 | 24 | 17 | A | SKK20-08L-PG | SKK20-08L-PK | | |
| | | 10 | 53 | 23 | 16.5 | 49 | 24 | 19 | A | SKK20-10L-PG | SKK20-10L-PK | | |
| | | 12 | 53 | 23 | 17.5 | 50.5 | 27 | 22 | A | SKK20-12L-PG | SKK20-12L-PK | | |
| | | 15 | 55 | 25 | 21 | 52 | 30 | 27 | B | SKK20-15L-PG | SKK20-15L-PK-GS | | |
| | | 18 | 57 | 24 | 19.5 | 53 | 32 | 32 | B | SKK20-18L-PG | SKK20-18L-PK-GS | | |
| | 160 | 22 | 61 | 28 | 20.5 | 55 | 36 | 36 | B | SKK20-22L-PG | SKK20-22L-PK-GS | | |
| | | 28 | 61 | 28 | 25 | 57.5 | 41 | 41 | B | SKK20-28L-PG | SKK20-28L-PK-GS | | |
| | | 35 | 69 | 26 | 30 | 60 | 46 | 50 | B | SKK20-35L-PG | SKK20-35L-PK-GS | | |
| | | 42 | 71 | 25 | 31 | 64.5 | 55 | 60 | B | SKK20-42L-PG | SKK20-42L-PK-GS | | |
| | | S | 630 | 6 | 55 | 25 | 14.5 | 49 | 24 | 17 | A | SKK20-06S-PG | SKK20-06S-PK |
| | | | | 8 | 55 | 25 | 16.5 | 49 | 24 | 19 | A | SKK20-08S-PG | SKK20-08S-PK |
| 10 | 57 | | | 24 | 16.5 | 49 | 24 | 22 | A | SKK20-10S-PG | SKK20-10S-PK | | |
| 400 | 12 | | 57 | 24 | 17.5 | 49 | 24 | 24 | A | SKK20-12S-PG | SKK20-12S-PK | | |
| | 14 | | 63 | 27 | 19.5 | 50.5 | 27 | 27 | B | SKK20-14S-PG | SKK20-14S-PK-GS | | |
| | 16 | | 63 | 26 | 18 | 52 | 30 | 30 | B | SKK20-16S-PG | SKK20-16S-PK-GS | | |
| 315 | 20 | 69 | 26 | 24 | 55 | 36 | 36 | B | SKK20-20S-PG | SKK20-20S-PK-GS | | | |
| | 25 | 75 | 27 | 26 | 57.5 | 41 | 46 | B | SKK20-25S-PG | SKK20-25S-PK-GS | | | |
| | 30 | 81 | 28 | 30 | 60 | 46 | 50 | B | SKK20-30S-PG | SKK20-30S-PK-GS | | | |
| | | 38 | 91 | 29 | 34 | 64.5 | 55 | 60 | B | SKK20-38S-PG | SKK20-38S-PK-GS | | |

- When FPM is used as the sealing material, the ordering code is "V" instead of "P"
- When EPDM is used as the sealing material, the ordering code is "E" instead of "P"

Test 15 Model SMK, adaptive thread M16X1.5



Quick-change connector, for:

- Pressure monitoring and detection
- Gas exhaust
- Sampling in high and low pressure systems

Advantages:

- Connected under system pressure
- The connection before the steel ball is opened is sealed well without pressure loss
- Measurement, inspection and switching instruments can be easily connected
- Metal protective cap will not loosen

Rated pressure:

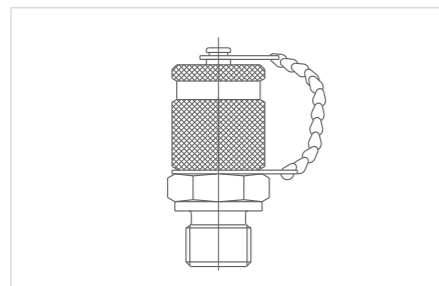
- Allowable working pressure: 630 bar
- For G and K type SMK pressure measuring connector, the allowable working pressure must comply with the relevant regulations of the bolt fastener manufacturer
- Connected under up to 400 bar

Material:

- Metal parts: galvanized steel, chromic acid passivation, stainless steel; please contact us for this.
- Steel ball: stainless steel
- Seals
 - P = NBR (nitrile rubber) temperature range: -20 to +100°C
 - V = FPM (Fluorine rubber) Temperature range: -20 to +200°C
 - E = EPDM (Ethylene-propylene rubber) suitable for brake fluid Temperature range: -40 to +150°C
- Hose: Polyamide Temperature range: -35 to +100°C
- Nitrile rubber anti-vibration O-ring

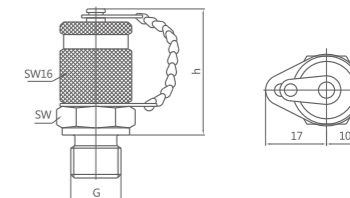
Working medium:

- Suitable hydraulic oil and other mineral oil-based oils (note compatibility with sealing materials).
- When using other medium, relevant information must be provided and confirmed before ordering



All test 15 series connectors can be supplied with steel or plastic hex protective caps

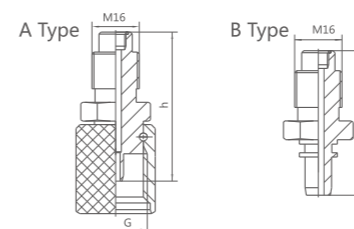
Test 15 Model SMK Adaptive thread M16x1.5 Pressure measuring connector with protective cap



| Screw-in head thread G | Seals | Working pressure | h | SW | Order code | |
|------------------------|---|------------------|----|----|-------------------|-------------------|
| | | | | | NBR | FPM |
| M10x1 | A-type O-ring | 630 | 38 | 17 | SMK15-M10x1-PA | SMK-M10x1-VA |
| M14x1.5 | B type metal seal | 630 | 37 | 19 | SMK15-M14x1.5-PB | SMK20-M14x1.5-VB |
| M16x1.5 | | 630 | 37 | 22 | SMK15-M16x1.5-PB | SMK20-M16x1.5-VB |
| G1/8 | | 400 | 39 | 19 | SMK15-G1/8-PB | SMK15-G1/8-VB |
| G1/4 | C type soft seal | 630 | 37 | 19 | SMK15-G1/4-PB | SMK20-G1/4-VB |
| G3/8 | | 630 | 37 | 22 | SMK15-G3/8-PB | SMK20-G3/8-VB |
| M12x1.5 | | 630 | 37 | 17 | SMK15-M12x1.5-PC | SMK20-M12x1.5-VC |
| M14x1.5 | D type thread, with proper sealant required | 630 | 37 | 19 | SMK15-M14x1.5-PC | SMK20-M14x1.5-VC |
| M16x1.5 | | 630 | 37 | 22 | SMK15-M16x1.5-PC | SMK20-M16x1.5-VC |
| G1/8 | | 400 | 39 | 17 | SMK15-G1/8-PC | SMK20-G1/8-VC |
| G1/4 | E-type O-ring | 630 | 37 | 19 | SMK15-G1/4-PC | SMK20-G1/4-VC |
| R1/4K | | 630 | 35 | 17 | SMK15-R1/4K-PD | SMK20-R1/4K-VD |
| 1/8NPT | | 400 | 36 | 17 | SMK15-R1/8NPT-PD | SMK20-R1/8NPT-VD |
| 1/4NPT | E-type O-ring | 630 | 35 | 17 | SMK15-R1/4NPT-PD | SMK20-R1/4NPT-VE |
| 7/16-20UNF | | 630 | 38 | 17 | SMK15-7/16UNF-PE | SMK20-7/16UNF-VE |
| 9/16-18UNF | | 630 | 37 | 19 | SMK15-9/16-UNF-PE | SMK20-9/16-UNF-VE |
| M14X1.5 | | 630 | 38 | 19 | SMK15-M14X1.5-PE | SMK20-M14X1.5-VE |

When ordering pressure measuring connectors with metal hex protective caps, please add "_SK" after the order code. For other screw-in and sealing types, please contact us.

Adapter SAD



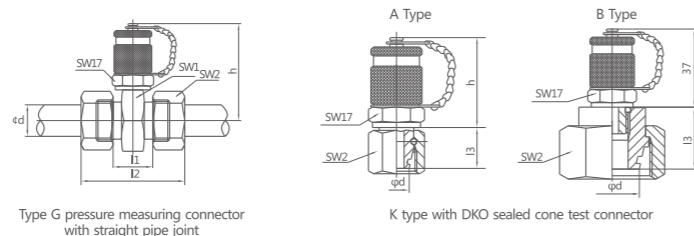
| Connection thread G | h | Type | Order code | |
|---------------------|----|------|-------------|-------------|
| | | | NBR | FPM |
| M16X2 | 39 | A | SAD15/20-P | SAD15/20-V |
| ⁰ S12 | 39 | A | SAD15/12-P | SAD15/12-V |
| Plug type | 37 | B | SAD15/100-P | SAD15/100-V |

! (1) Special thread: Zigzag thread S 12,65x1.5

Pressure measuring connector and pressure measuring hose

Pressure measuring connector and pressure measuring hose

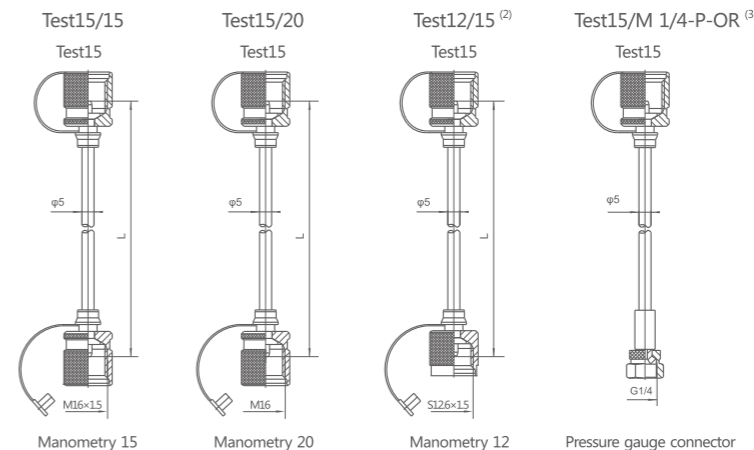
Test 15 Model SMK Adaptive thread M16X1.5
Pressure measuring connector SMK (24° pipe connector, according to DIN 2353)



| Structure series | PN | Pipe diameter $\varnothing d$ | l1 | l2 | l3 | h | SW1 | SW2 | Type | Order code | |
|------------------|-----|-------------------------------|----|------|------|------|-----|-----|--------------|-----------------|-----------------|
| | | | | | | | | | | G Type | K Type |
| L | 315 | 6 | 51 | 21 | 15.5 | 49 | 24 | 14 | A | SMK15-06L-PG | SMK15-06L-PK |
| | | 8 | 51 | 21 | 15.5 | 49 | 24 | 17 | A | SMK15-08L-PG | SMK15-08L-PK |
| | | 10 | 53 | 23 | 16.5 | 49 | 24 | 19 | A | SMK15-10L-PG | SMK15-10L-PK |
| | | 12 | 53 | 23 | 17.5 | 50.5 | 27 | 22 | A | SMK15-12L-PG | SMK15-12L-PK |
| | 15 | 55 | 25 | 21 | 52 | 30 | 27 | B | SMK15-15L-PG | SMK15-15L-PK-GS | |
| | 18 | 57 | 24 | 19.5 | 53 | 32 | 32 | B | SMK15-18L-PG | SMK15-18L-PK-GS | |
| | 22 | 61 | 28 | 20.5 | 55 | 36 | 36 | B | SMK15-22L-PG | SMK15-22L-PK-GS | |
| | 28 | 61 | 28 | 25 | 57.5 | 41 | 41 | B | SMK15-28L-PG | SMK15-28L-PK-GS | |
| S | 630 | 6 | 55 | 25 | 14.5 | 49 | 24 | 17 | A | SMK15-06S-PG | SMK15-06S-PK |
| | | 8 | 55 | 25 | 16.5 | 49 | 24 | 19 | A | SMK15-08S-PG | SMK15-08S-PK |
| | | 10 | 57 | 24 | 16.5 | 49 | 24 | 22 | A | SMK15-10S-PG | SMK15-10S-PK |
| | | 12 | 57 | 24 | 17.5 | 49 | 24 | 24 | A | SMK15-12S-PG | SMK15-12S-PK |
| | | 14 | 63 | 27 | 19.5 | 50.5 | 27 | 27 | B | SMK15-14S-PG | SMK15-14S-PK-GS |
| | 400 | 16 | 63 | 26 | 18 | 52 | 30 | 30 | B | SMK15-16S-PG | SMK15-16S-PK-GS |
| | | 20 | 69 | 26 | 24 | 55 | 36 | 36 | B | SMK15-20S-PG | SMK15-20S-PK-GS |
| | | 25 | 75 | 27 | 26 | 57.5 | 41 | 46 | B | SMK15-25S-PG | SMK15-25S-PK-GS |
| | | 30 | 81 | 28 | 30 | 60 | 46 | 50 | B | SMK15-30S-PG | SMK15-30S-PK-GS |
| | | 35 | 81 | 28 | 30 | 60 | 46 | 50 | B | SMK15-35S-PG | SMK15-35S-PK-GS |
| 315 | 38 | 91 | 29 | 34 | 64.5 | 55 | 60 | B | SMK15-38S-PG | SMK15-38S-PK-GS | |

! When FPM is used as the sealing material, the ordering code is "V" instead of "P"
When EPDM is used as the sealing material, the ordering code is "E" instead of "P"

Test 15 Model SMS (SGS for gaseous media)
Adaptive thread M16x1.5



- Allowable working pressure 630 bar
- Measuring hose:
- Nominal diameter: 2mm
 - Bending radius: at least 20mm
- Pressure utilization:
- 122% at 0°C
 - 110% at 30°C
 - 100% at 50°C
 - 86% at 80°C
 - 77% at 100°C
- Hose structure:
- Core pipe and surface: PA
 - Pressure bearing material: synthetic fibers
 - Burst pressure: 1900 bar

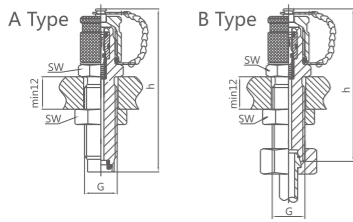
| L ⁽¹⁾ | Order description | | | |
|------------------|-------------------|------------------|------------------|-------------------------|
| | Test15/15 | Test15/20 | Test12/15 | Test20/M1/4-P-OR |
| 200 | SMS-15-200-A | SMS-15/20-200-A | SMS-12/15-200-A | SMS-15/M1/4-P-OR-200-A |
| 400 | SMS-15-400-A | SMS-15/20-400-A | SMS-12/15-400-A | SMS-15/M1/4-P-OR-400-A |
| 630 | SMS-15-630-A | SMS-15/20-630-A | SMS-12/15-630-A | SMS-15/M1/4-P-OR-630-A |
| 800 | SMS-15-800-A | SMS-15/20-800-A | SMS-12/15-800-A | SMS-15/M1/4-P-OR-800-A |
| 1000 | SMS-15-1000-A | SMS-15/20-1000-A | SMS-12/15-1000-A | SMS-15/M1/4-P-OR-1000-A |
| 1500 | SMS-15-1500-A | SMS-15/20-1500-A | SMS-12/15-1500-A | SMS-15/M1/4-P-OR-1500-A |
| 2000 | SMS-15-2000-A | SMS-15/20-2000-A | SMS-12/15-2000-A | SMS-15/M1/4-P-OR-2000-A |
| 2500 | SMS-15-2500-A | SMS-15/20-2500-A | SMS-12/15-2500-A | SMS-15/M1/4-P-OR-2500-A |
| 3200 | SMS-15-3200-A | SMS-15/20-3200-A | SMS-12/15-3200-A | SMS-15/M1/4-P-OR-3200-A |
| 4000 | SMS-15-4000-A | SMS-15/20-4000-A | SMS-12/15-4000-A | SMS-15/M1/4-P-OR-4000-A |

- (1) For bending protection and other lengths, please contact us!
(2) Special thread: Zigzag thread S 12.65x1.5 Please contact us!
(3) Connection thread 1/4NPT, G1/2 and 1/2NPT, please contact us!

Pressure measuring connector and pressure measuring hose

Pressure measuring connector and pressure measuring hose

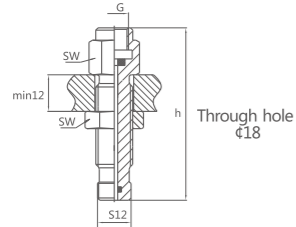
Bulkhead connector SSK (type SSKK when used for gaseous media) Test 15 Adaptive thread M16x1.5



| Connection thread G | h | Type | Order type | |
|------------------------|----|------|--------------|--------------|
| | | | NBR | FPM |
| M16X1.5 | 72 | A | SSK 15-P | SSK 15-V |
| ⁽¹⁾ M16X1.5 | 72 | B | SSK 15/08S-P | SSK 15/08S-V |

Ferrule connection 8 S, according to DIN 2353

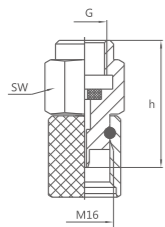
Pressure gauge connector SMA



| Connection thread G | h | SW | Order type | |
|---------------------|----|----|-----------------|-----------------|
| | | | NBR | FPM |
| G1/4 | 54 | 19 | SMA15-G1/4-P-OR | SMA15-G1/4-V-OR |
| G1/2 | 64 | 27 | SMA15-G1/2-P-OR | SMA15-G1/2-V-OR |
| 1/4NPT | 54 | 19 | SMA15-1/4NPT-P | SMA15-1/4NPT-V |
| 1/2NPT | 64 | 27 | SMA15-1/2NPT-P | SMA15-1/2NPT-V |

For shock absorbers, please contact us!

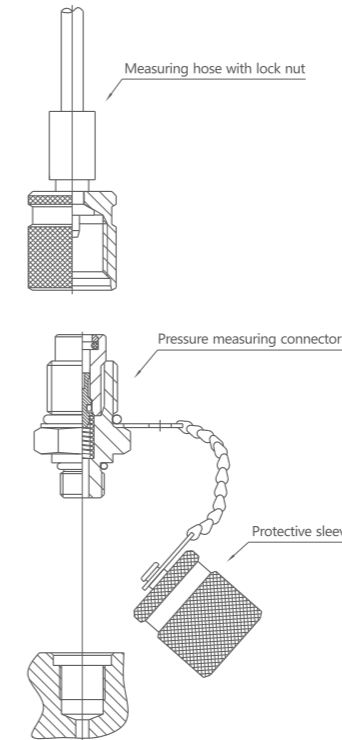
Pressure gauge connector SMD for direct connection



| Connection thread G | h | SW | Order type | |
|---------------------|----|----|------------------|------------------|
| | | | NBR | FPM |
| G1/4 | 41 | 19 | SMD 15-G1/4-P-OR | SMD 15-G1/4-V-OR |
| G1/2 | 51 | 27 | SMD 15-G1/2-P-OR | SMD 15-G1/2-V-OR |
| 1/4NPT | 41 | 19 | SMD 15-1/4NPT | SMD 15-1/4NPT |
| 1/2NPT | 51 | 27 | SMD 15-1/2UNF | SMD 15-1/2 NPT |

For shock absorbers, please contact us!

Test 12 Model SKK adaptive thread S12.65x1.5



Quick-change connector, used for:

- Pressure monitoring and detection
- Gas exhaust
- Sampling in high and low pressure systems

Advantages:

- Connected under system pressure
- The connection before the steel ball is opened is sealed well without pressure loss
- Measurement, inspection and switching instruments can be easily connected
- Metal protective cap will not loosen

Rated pressure:

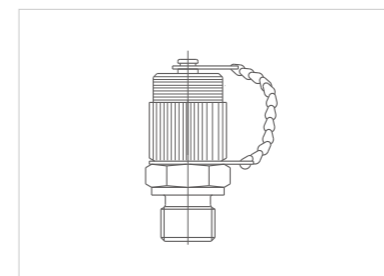
- Allowable working pressure: 630 bar
- For G and K type SKK pressure measuring connectors, the allowable working pressure must comply with the relevant regulations of the bolt fastener manufacturer
- Connected under up to 400 bar

Material:

- Metal parts: galvanized steel, chromic acid passivation, stainless steel; please contact us.
- Seals
 - P = NBR (nitrile rubber) Temperature range: -20 to +100°C
 - V = FPM (Fluorine rubber) Temperature range: -20 to +200°C
 - E = EPDM (Ethylene-propylene rubber) Suitable for brake fluid Temperature range: -40 to +150°C
- Hose: Polyamide Temperature range: -35 to +100°C
- Nitrile rubber anti-vibration O-ring

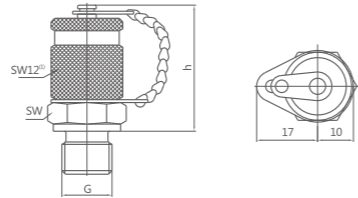
Working medium:

- Suitable hydraulic oil and other mineral oil-based oils (note compatibility with sealing materials)
- When using other medium, relevant information must be provided and confirmed before ordering
- For gaseous medium and special sealing requirements, a special pressure measuring connector can be provided



All test 20 series connectors can be supplied with steel or plastic hex protective caps

Pressure measuring connector with protective cap

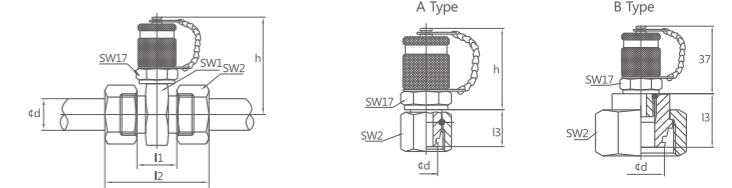


| Screw-in head thread G | Seals | Working pressure | h | SW | Order code | |
|------------------------|---|------------------|----|----|-------------------|-------------------|
| | | | | | NBR | FPM |
| M8x1 | A-type O-ring | 250 | 38 | 14 | SKK12-M8x1-PA | SKK12-M8x1-VA |
| M10x1 | | 630 | 35 | 14 | SKK12-M10x1-PA | SKK12-M10x1-VA |
| M12x1.5 | B type metal seal | 630 | 31 | 17 | SKK12-M12x1.5-PB | SKK12-M12x1.5-VB |
| M14x1.5 | | 630 | 31 | 19 | SKK12-M14x1.5-PB | SKK12-M14x1.5-VB |
| M16x1.5 | | 630 | 31 | 22 | SKK12-M16x1.5-PB | SKK12-M16x1.5-VB |
| G1/4 | | 630 | 30 | 19 | SKK12-G1/4-PB | SKK12-G1/4-VB |
| G3/8 | C type soft seal | 630 | 31 | 22 | SKK12-G3/8-PB | SKK12-G3/8-VB |
| M12x1.5 | | 630 | 31 | 17 | SKK12-M12x1.5-PC | SKK12-M12x1.5-VC |
| M14x1.5 | | 630 | 31 | 19 | SKK12-M14x1.5-PC | SKK12-M14x1.5-VC |
| G1/8 | D type thread, with proper sealant required | 400 | 40 | 14 | SKK12-G1/8-PC | SKK12-G1/8-VC |
| G1/4 | | 630 | 31 | 19 | SKK12-G1/4-PC | SKK12-G1/4-VC |
| R1/8K | | 400 | 33 | 14 | SKK12-R1/8K-PD | SKK12-R1/8K-VD |
| R1/4K | E-type O-ring | 630 | 30 | 14 | SKK12-R1/4K-PD | SKK12-R1/4K-VD |
| 1/8NPT | | 400 | 33 | 14 | SKK12-R1/4NPT-PD | SKK12-R1/4NPT-VD |
| 1/4NPT | E-type O-ring | 630 | 28 | 14 | SKK12-R1/8NPT-PD | SKK12-R1/8NPT-VD |
| 5/16-24UNF | | 400 | 38 | 14 | SKK12-5/16UNF-PE | SKK12-5/16UNF-VE |
| 7/16-20UNF | | 630 | 33 | 17 | SKK12-7/16UNF-PE | SKK12-7/16UNF-VE |
| 1/2-20UNF | | 630 | 32 | 17 | SKK12-1/2UNF-PE | SKK12-1/2UNF-VE |
| 9/16-18UNF | | 630 | 31 | 19 | SKK12-9/16-UNF-PE | SKK12-9/16-UNF-VE |
| M12X1.5 | | 630 | 32 | 17 | SKK12-M12X1.5-PE | SKK12-M12X1.5-VE |

! Special thread: Zigzag thread S 12.65x1.5

📞 When ordering pressure measuring connectors with metal hex protective caps, please add "_KK" after the order code

Pressure measuring connector SKK (24° pipe connector, according to DIN 2353)



Type G pressure measuring connector with straight pipe joint

K type with DKO sealed cone measuring connector

| Structure series | PN | Pipe diameter $\varnothing d$ | l1 | l2 | l3 | h | SW1 | SW2 | Type | Order code | |
|------------------|-----|-------------------------------|----|----|------|------|-----|-----|------|--------------|-----------------|
| | | | | | | | | | | G Type | K Type |
| L | 315 | 6 | 51 | 21 | 15.5 | 46 | 24 | 14 | A | SKK12-06L-PG | SKK12-06L-PK |
| | | 8 | 51 | 21 | 15.5 | 46 | 24 | 17 | A | SKK12-08L-PG | SKK12-08L-PK |
| | | 10 | 53 | 23 | 16.5 | 46 | 24 | 19 | A | SKK12-10L-PG | SKK12-10L-PK |
| | | 12 | 53 | 23 | 17.5 | 47.5 | 27 | 22 | A | SKK12-12L-PG | SKK12-12L-PK |
| | | 15 | 55 | 25 | 21 | 49 | 30 | 27 | B | SKK12-15L-PG | SKK12-15L-PK-GS |
| | | 18 | 57 | 24 | 19.5 | 50 | 32 | 32 | B | SKK12-18L-PG | SKK12-18L-PK-GS |
| | 160 | 22 | 61 | 28 | 20.5 | 52 | 36 | 36 | B | SKK12-22L-PG | SKK12-22L-PK-GS |
| | | 28 | 61 | 28 | 25 | 54.5 | 41 | 41 | B | SKK12-28L-PG | SKK12-28L-PK-GS |
| | | 35 | 69 | 26 | 30 | 57 | 46 | 50 | B | SKK12-35L-PG | SKK12-35L-PK-GS |
| | | 42 | 71 | 26 | 31 | 61.5 | 55 | 60 | B | SKK12-42L-PG | SKK12-42L-PK-GS |
| S | 630 | 6 | 55 | 25 | 14.5 | 46 | 24 | 17 | A | SKK12-06S-PG | SKK12-06S-PK |
| | | 8 | 55 | 25 | 16.5 | 46 | 24 | 19 | A | SKK12-08S-PG | SKK12-08S-PK |
| | | 10 | 57 | 24 | 16.5 | 46 | 24 | 22 | A | SKK12-10S-PG | SKK12-10S-PK |
| | | 12 | 57 | 24 | 17.5 | 46 | 24 | 24 | A | SKK12-12S-PG | SKK12-12S-PK |
| | 400 | 14 | 63 | 27 | 19.5 | 47.5 | 27 | 27 | B | SKK12-14S-PG | SKK12-14S-PK-GS |
| | | 16 | 63 | 26 | 18 | 49 | 30 | 30 | B | SKK12-16S-PG | SKK12-16S-PK-GS |
| | | 20 | 69 | 26 | 24 | 52 | 36 | 36 | B | SKK12-20S-PG | SKK12-20S-PK-GS |
| | | 25 | 75 | 27 | 26 | 54.5 | 41 | 46 | B | SKK12-25S-PG | SKK12-25S-PK-GS |
| | | 30 | 81 | 28 | 30 | 57 | 46 | 50 | B | SKK12-30S-PG | SKK12-30S-PK-GS |
| | | 38 | 91 | 29 | 34 | 61.5 | 55 | 60 | B | SKK12-38S-PG | SKK12-38S-PK-GS |

! When FPM is used as the sealing material, the ordering code is "V" instead of "P"
 ! When EPDM is used as the sealing material, the ordering code is "E" instead of "P"

Pressure measuring connector and pressure measuring hose

Pressure measuring connector and pressure measuring hose

Pressure measuring hose SMS (model SGS when used for gaseous media)

Test12/12
Test12

Test12/20
Test12

Test12/15⁽²⁾
Test12

Test10/12
Test12

Test15/M 1/4-P-OR⁽³⁾
Test12

Allowable working pressure: 400 bar

Measuring hose:

- Nominal diameter: 2mm
- Bending radius: at least 20mm
- Nominal diameter of 4mm is also available

Pressure utilization:

- 122% at 0°C
- 110% at 30°C
- 100% at 50°C
- 86% at 80°C
- 77% at 100°C

Hose structure:

- Core pipe and surface: PA
- Pressure bearing material: synthetic fibers
- Burst pressure: 1100 bar

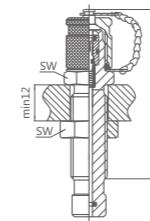
Manometry 12 Manometry20 Manometry15 Manometry10 Bulkhead connector

| L | Order description | | | | |
|------|-------------------|------------------|------------------|------------------|-------------------------|
| | Test12/12 | Test12/20 | Test12/15 | Test10/12 | Test15/M 1/4-P-OR |
| 200 | SMS-12-200-A | SMS-12/20-200-A | SMS-12/15-200-A | SMS-10/12-200-A | SMS-12/M1/4-P-OR-200-A |
| 400 | SMS-12-400-A | SMS-12/20-400-A | SMS-12/15-400-A | SMS-10/12-400-A | SMS-12/M1/4-P-OR-400-A |
| 630 | SMS-12-630-A | SMS-12/20-530-A | SMS-12/15-530-A | SMS-10/12-530-A | SMS-12/M1/4-P-OR-630-A |
| 800 | SMS-12-800-A | SMS-12/20-800-A | SMS-12/15-800-A | SMS-10/12-800-A | SMS-12/M1/4-P-OR-800-A |
| 1000 | SMS-12-1000-A | SMS-12/20-1000-A | SMS-12/15-1000-A | SMS-10/12-1000-A | SMS-12/M1/4-P-OR-1000-A |
| 1500 | SMS-12-1500-A | SMS-12/20-1500-A | SMS-12/15-1500-A | SMS-10/12-1500-A | SMS-12/M1/4-P-OR-1500-A |
| 2000 | SMS-12-2000-A | SMS-12/20-2000-A | SMS-12/15-2000-A | SMS-10/12-2000-A | SMS-12/M1/4-P-OR-2000-A |
| 2500 | SMS-12-2500-A | SMS-12/20-2500-A | SMS-12/15-2500-A | SMS-10/12-2500-A | SMS-12/M1/4-P-OR-2500-A |
| 3200 | SMS-12-3200-A | SMS-12/20-3200-A | SMS-12/15-3200-A | SMS-10/12-3200-A | SMS-12/M1/4-P-OR-3200-A |
| 4000 | SMS-12-4000-A | SMS-12/20-4000-A | SMS-12/15-4000-A | SMS-10/12-4000-A | SMS-12/M1/4-P-OR-4000-A |

- (1) For bending protection and other lengths, please contact us!
- (2) For special thread: Zigzag thread S 12.65x1.5, please contact us!
- (3) For connection thread 1/4NPT, G1/2 and 1/2NPT, please contact us!

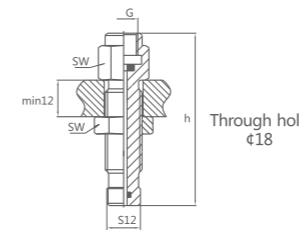
Test 12 Model SSK Adaptive thread S12.65x1.5

Bulkhead connector SSKK



| Connection thread G | h | Type | Order type | |
|---------------------|----|------|------------|----------|
| | | | NBR | FPM |
| S12 | 63 | 19 | SSKK 12 -P | SSK 12-V |

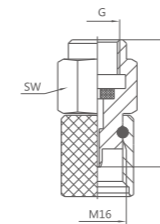
Pressure gauge connector SMA



| Connection thread G | h | SW | Order type | |
|---------------------|----|----|-----------------|-----------------|
| | | | NBR | FPM |
| G1/4 | 51 | 19 | SMA12-G1/4-P-OR | SMA12-G1/4-V-OR |
| G1/2 | 61 | 27 | SMA12-G1/2-P-OR | SMA12-G1/2-V-OR |
| 1/4NPT | 51 | 19 | SMA12-1/4NPT-P | SMA12-1/4NPT-V |
| 1/2NPT | 61 | 27 | SMA12-1/2NPT-P | SMA12-1/2NPT-V |

For SAD shock absorbers, please contact us

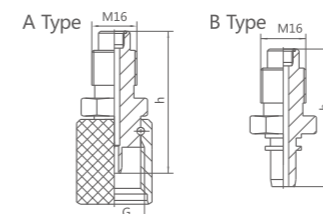
Pressure gauge connector SAD for direct connection



| Connection thread G | h | SW | Order type | |
|---------------------|----|----|-----------------|-----------------|
| | | | NBR | FPM |
| G1/4 | 35 | 19 | SMD12-G1/4-P-OR | SMD12-G1/4-V-OR |
| G1/2 | 45 | 27 | SMD12-G1/2-P-OR | SMD12-G1/2-V-OR |
| 1/4NPT | 35 | 19 | SMD12-1/4-NPT | SMD12-1/4-NPT |
| 1/2NPT | 45 | 27 | SMD12-1/2NPT | SMD12-1/2NPT |

For shock absorbers, please contact us!

Adapter SAD



| Connection thread G | h | Type | Order type | |
|---------------------|----|------|------------|------------|
| | | | NBR | FPM |
| M16X2 | 33 | A | SAD12/20-P | SAD12/20-V |
| M16X1.5 | 33 | A | SAD12/15-P | SAD12/15-V |
| 插式 | 31 | B | SAD12/10-P | SAD12/10-V |

Special thread: Zigzag thread S 12.65x1.5

Test 10 Model SMK plug-in series

Quick-change connector, used for:

- Pressure monitoring and detection
- Gas exhaust
- Sampling in high and low pressure systems

Advantages:

- Connected under system pressure
- The connection before the steel ball is opened is sealed well without pressure loss
- Measurement, inspection and switching instruments can be easily connected

Rated pressure:

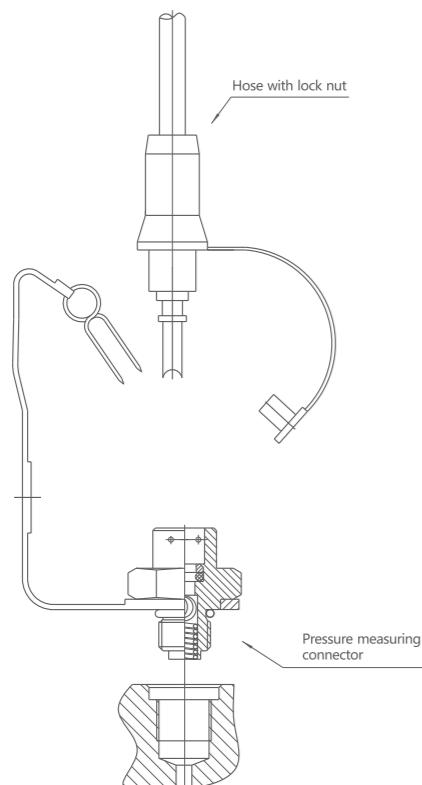
- Allowable working pressure: 400 bar
- For G and K type SMK pressure measuring connector, the allowable working pressure must comply with the relevant regulations of the bolt fastener manufacturer

Material:

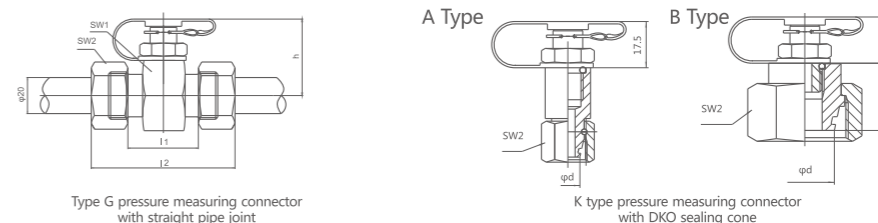
- Metal parts: galvanized steel, chromic acid passivation, stainless steel; please contact us
- Steel ball: stainless steel
- Seals
 - P = NBR (nitrile rubber) Temperature range: -20 to +100°C
 - V = FPM (Fluorine rubber) Temperature range: -20 to +200°C
 - E = EPDM (Ethylene-propylene rubber) Suitable for brake fluid Temperature range: -40 to +150°C
- Hose: Polyamide Temperature range: -35 to +100°C
- Nitrile rubber anti-vibration O-ring

Working medium:

- Suitable hydraulic oil and other mineral oil-based oils (note compatibility with sealing materials)
- When using other medium, relevant information be provided and confirmed before ordering

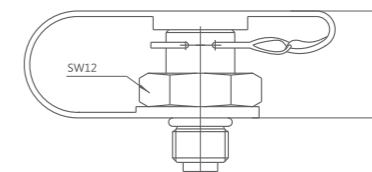


Pressure measuring connector SMK
(24° pipe connector, according to DIN2353)



| Structure series | PN | Pipe diameter | l1 | l2 | h | Sw1 | Sw2 | G式 | K式 |
|------------------|-----|---------------|----|----|------|-----|-----|--------------|-----------------|
| L | 315 | 6 | 51 | 21 | 29.5 | 24 | 14 | SMK10-06L-PG | SMK10-06L-PK-GS |
| | | 8 | 51 | 21 | 29.5 | 24 | 17 | SMK10-08L-PG | SMK10-08L-PK-GS |
| | | 10 | 53 | 23 | 29.5 | 24 | 19 | SMK10-10L-PG | SMK10-10L-PK-GS |
| | | 12 | 53 | 23 | 31 | 27 | 22 | SMK10-12L-PG | SMK10-12L-PK-GS |
| | | 15 | 55 | 25 | 32.5 | 30 | 27 | SMK10-15L-PG | SMK10-15L-PK-GS |
| | 160 | 18 | 57 | 24 | 33.5 | 32 | 32 | SMK10-18L-PG | SMK10-18L-PK-GS |
| | | 22 | 61 | 28 | 35.5 | 36 | 36 | SMK10-22L-PG | SMK10-22L-PK-GS |
| | | 28 | 61 | 28 | 38 | 41 | 41 | SMK10-28L-PG | SMK10-28L-PK-GS |
| | | 35 | 69 | 26 | 40.5 | 46 | 50 | SMK10-35L-PG | SMK10-35L-PK-GS |
| | | 42 | 71 | 25 | 45 | 55 | 60 | SMK10-42L-PG | SMK10-42L-PK-GS |
| S | 400 | 6 | 55 | 25 | 29.5 | 24 | 17 | SMK10-06S-PG | SMK10-06S-PK-GS |
| | | 8 | 55 | 25 | 29.5 | 24 | 19 | SMK10-08S-PG | SMK10-08S-PK-GS |
| | | 10 | 57 | 24 | 29.5 | 24 | 22 | SMK10-10S-PG | SMK10-10S-PK-GS |
| | | 12 | 57 | 24 | 29.5 | 24 | 24 | SMK10-12S-PG | SMK10-12S-PK-GS |
| | | 14 | 63 | 27 | 31 | 27 | 27 | SMK10-14S-PG | SMK10-14S-PK-GS |
| | | 16 | 63 | 26 | 32.5 | 30 | 30 | SMK10-16S-PG | SMK10-16S-PK-GS |
| | | 20 | 69 | 26 | 35.5 | 38 | 36 | SMK10-20S-PG | SMK10-20S-PK-GS |
| | | 25 | 75 | 27 | 38 | 41 | 46 | SMK10-25S-PG | SMK10-25S-PK-GS |
| | | 30 | 81 | 28 | 40.5 | 46 | 50 | SMK10-30S-PG | SMK10-30S-PK-GS |
| | | 315 | 38 | 91 | 29 | 45 | 55 | 60 | SMK10-38S-PG |

! When EPDM is used as the sealing material, E is used instead of P in the ordering code
When FPM is used as the sealing material, V is used instead of P in the ordering code

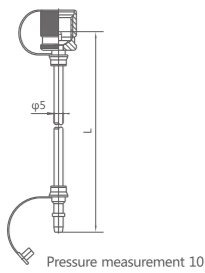


| Screw-in head thread G | Seal | Working pressure | H | Order type | |
|------------------------|---|------------------|------|----------------|----------------|
| | | | | NBR | FPM |
| M8x1 | A-type O-ring | 250 | 17.5 | SMK10-M8x1-PA | SMK10-M8x1-VA |
| M10x1 | | 400 | 17.5 | SMK10-M10x1-PA | SMK10-M10x1-VA |
| R1/4K | D type thread, with proper sealant required | 400 | 17.5 | SMK10-R1/4K-PD | SMK10-R1/4K-VD |

! More screw-in head types can be obtained with reducer SRS 20

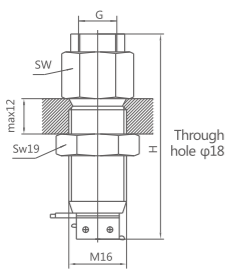
Test 10 measuring hose SMS / pressure gauge connector SMA

Measuring hose SMS



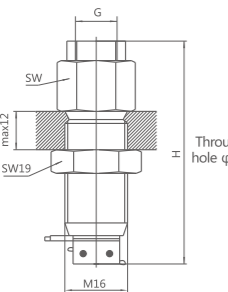
| Length | Order code | Description |
|--------|---------------|--|
| 200 | SMS-10-200-A | Nominal diameter: 2mm Bending radius: at least 20mm Pressure utilization 122% at 0°C 110% at 30°C 86% at 80°C 77% at 100°C |
| 400 | SMS-10-400-A | |
| 630 | SMS-10-630-A | |
| 800 | SMS-10-800-A | |
| 1000 | SMS-10-1000-A | |
| 1500 | SMS-10-1500-A | |
| 2000 | SMS-10-2000-A | |
| 2500 | SMS-10-2500-A | |
| 3200 | SMS-10-3200-A | |
| 4000 | SMS-10-4000-A | |

Measuring hoses directly connected to the pressure gauge SMS



| Length | Order code | Description |
|--------|-------------------------|--|
| 200 | SMS-10/M1/4-P-OR-200-A | Nominal diameter: 2mm Bending radius: at least 20mm Pressure utilization 122% at 0°C 110% at 30°C 86% at 80°C 77% at 100°C |
| 400 | SMS-10/M1/4-P-OR-400-A | |
| 630 | SMS-10-/M1/4-OR-630-A | |
| 800 | SMS-10-/M1/4-OR-800-A | |
| 1000 | SMS-10/M1/4-P-OR-1000-A | |
| 1500 | SMS-10/M1/4-P-OR-1500-A | |
| 2000 | SMS-10/M1/4-P-OR-2000-A | |
| 2500 | SMS-10/M1/4-P-OR-2500-A | |
| 3200 | SMS-10/M1/4-P-OR-3200-A | |
| 4000 | SMS-10/M1/4-P-OR-4000-A | |

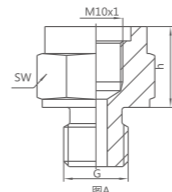
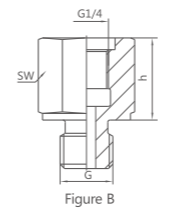
Pressure gauge connector SMA



| G | H | SW | Order code | |
|--------|----|----|------------------|------------------|
| | | | NBR | FPM |
| G1/4 | 57 | 19 | SMA 10-G1/4-P-OR | SMA 10-G1/4-V-OR |
| G1/2 | 67 | 27 | SMA 10-G1/2-P-OR | SMA 10-G1/2-V-OR |
| 1/4NPT | 57 | 19 | SMA 10-1/4NP-P | SMA 10-1/4NP-V |
| 1/2NPT | 67 | 27 | SMA 10-1/2NPT-P | SMA 10-1/2NPT-V |

☎ For SAD shock absorbers, please contact us

Reducer SRS+SAS, suitable for various types

| Screw-in head thread | Seals | h | SW | Drawing number | Order code SRS | |
|----------------------|--------------------------------|-------------------|----|----------------|------------------|------------------|
| M10X1 | B type metal seal | 15.5 | 17 | A | SRS20-M10X1-B | |
| M12X1.5 | | 15 | 19 | A | SRS20-M12X1.5-B | |
| M14X1.5 | | 15 | 19 | A | SRS20-M14X1.5-B | |
| M16X1.5 | | 8 | 22 | A | SRS20-M16X1.5-B | |
| M18X1.5 | | 15 | 24 | A | SRS20-M18X1.5-B | |
| M22X1.5 | | 10.5 | 27 | A | SRS20-M22X1.5-B | |
| G1/8 | | 15.5 | 17 | A | SRS20-G1/8-B | |
| G1/4 | | 15 | 19 | A | SRS20-G1/4-B | |
| G3/8 | | 10.5 | 22 | A | SRS20-G3/8-B | |
| G1/2 | | 10.5 | 27 | A | SRS20-G1/2-B | |
| M12X1.5 | C type soft seal | 15 | 19 | A | SRS20-M12X1.5-PC | |
| M14X1.5 | | 15 | 19 | A | SRS20-M14X1.5-PC | |
| M18X1.5 | | 15 | 24 | A | SRS20-M18X1.5-PC | |
| G1/8 | | 16 | 17 | A | SRS20-G1/8-PC | |
| G1/4 | | 15 | 19 | A | SRS20-G1/4-PC | |
| G3/8 | | 10.5 | 22 | A | SRS20-G3/8-PC | |
| G1/2 | | 10.5 | 27 | A | SRS20-G1/2-PC | |
| R1/4K | | 13 | 17 | A | SRS20-R1/4K-D | |
| R3/8K | | 13 | 19 | A | SRS20-R3/8K-D | |
| R1/2K | | 8 | 22 | A | SRS20-R1/2K-D | |
| 1/4NPT | Sealant used for D type thread | 10 | 17 | A | SRS20-1/4NPT-D | |
| 1/2NPT | | 8 | 22 | A | SRS20-1/2NPT-D | |
| 7/16-20UNF | E-type O-ring | 9 | 17 | A | SRS20-7/16NPT-PE | |
| 1/2-20UNF | | 15 | 17 | A | SRS20-1/2NPT-PE | |
| 9/16-18UNF | | 15.5 | 19 | A | SRS20-9/16NPT-PE | |
| 7/8-14UNF | | 11 | 27 | A | SRS20-7/8NPT-PE | |
| M14X1.5 | | 14.5 | 19 | A | SRS20-M14X1.5-PE | |
| M16X1.5 | | 8.5 | 22 | A | SRS20-M16X1.5-PE | |
| M22X1.5 | | 10 | 27 | A | SRS20-M22X1.5-PE | |
| M27X2 | | 10 | 32 | A | SRS20-M27X2-PE | |
| M14X1.5 | | B type metal seal | 24 | 19 | B | SRS15-M14X1.5-B |
| M16X1.5 | | | 24 | 22 | B | SRS15-M16X1.5-B |
| M18X1.5 | 24 | | 24 | B | SRS15-M18X1.5-B | |
| M20X1.5 | 10.5 | | 27 | B | SRS15-M20X1.5-B | |
| G3/8 | 24 | | 22 | B | SRS15-G3/8-B | |
| G1/2 | 10.5 | | 27 | B | SRS15-G1/2-B | |
| M14X1.5 | C type soft seal | | 24 | 19 | B | SRS15-M14X1.5-PC |
| M16X1.5 | | | 24 | 22 | B | SRS15-M16X1.5-PC |
| M18X1.5 | | | 24 | 24 | B | SRS15-M18X1.5-PC |
| G3/8 | | | 24 | 22 | B | SRS15-G3/8-PC |

Pressure measuring connector and pressure measuring hose

Pressure measuring connector and pressure measuring hose

Welded joint SAS

| Screw-in head thread | Seals | h | d | Order code SRS |
|----------------------|-------|----|----|----------------|
| M10X1 | A式 | 25 | 20 | SAS-M10X1 |
| G1/8 | B/C式 | 25 | 20 | SAS-G1/8 |
| G1/4 | | 30 | 22 | SAS-G1/4 |
| G3/8 | | 30 | 25 | SAS-G3/8 |
| 1/4NPT | D式 | 25 | 20 | SAS-1/4NPT |
| 1/2-20NPT | E式 | 25 | 20 | SAS1/2-NPT |

Pressure measuring connector and pressure measuring hose

Measuring hose technical parameters and order marking description

Technical parameters of measuring hose

Measuring hose DN 2 + DN 4
Rated pressure up to 630 bar

| Order code | A | B | C | D | |
|---------------------------------------|--|----|-----|------|-----|
| Nominal diameter | DN2 | | DN4 | | |
| Allowable working pressure (bar) | 72 | 19 | 340 | 630 | |
| Burst pressure (bar) | 72 | 19 | 850 | 1900 | |
| Inspection pressure (bar) | 72 | 22 | 570 | 950 | |
| Allowable working pressure | At 0°C (bar) | 72 | 22 | 463 | 768 |
| | At 30°C (bar) | 66 | 17 | 418 | 963 |
| | At 50°C (bar) | 67 | 22 | 380 | 630 |
| | At 80°C (bar) | 72 | 27 | 327 | 542 |
| | At 100°C (bar) | 75 | 30 | 293 | 485 |
| Heat resistance (°C) | -35至100 (短时间120) | | | | |
| Inner diameter (mm) | 2 | | 4 | | |
| Outer diameter (mm) | 5 | | 8.6 | | |
| Bend radius | When operating temperature is reached (mm) | | 20 | 40 | |
| | To minus 20°C (mm) | | 30 | 60 | |
| Maximum length (mm) | 100 | | | | |
| Weight per meter (mm) | 16 | | 42 | | |
| Core pipe and outer surface (g) | PA | | | | |
| Pressure bearing material (mm) | · Synthetic fibers | | | | |
| 9 S Mn Pb 28 (1.0718) for hose joints | | | | | |

Pressure measuring connector and pressure measuring hose

Order marking description



| SMS | 20 | /M... | 3000 | A |
|---------------|------|---------------|--|-----------------|
| 1st connector | | 2nd connector | | DN |
| 20 | A... | J... | Marked only if the second connector is different | A =DN 2 400 bar |
| 15 | S... | D... | | B =DN 2 630 bar |
| 12 | K... | B... | | C =DN 4 340 bar |
| 10 | L... | U... | | D =DN 4 630 bar |
| M... | G... | P... | | |
| N... | F... | etc. | | |
| W... | C... | | | |
| | | | | |
| Length | | | Unit is mm (see L in the figure above) | |

! When gas is used, the ordering code is "SGS"

Code size of connector for measuring hose

| Description | Hose joint | Model | G | SW | DN | |
|--|------------|-------|-----|-------------|----|-----|
| Test system thread system | | — | 20 | M16X2 | — | 2和4 |
| | | | 15 | M16X1.5 | — | |
| | | | 12 | S12,65X1.5 | — | |
| Test system thread system 90° elbow | | O | 20 | M16X2 | — | 2和4 |
| | | | 15 | M16X1.5 | — | |
| | | | 12 | S12,65X1.5 | — | |
| Test system thread system 90° elbow (compact) | | OX | 20 | M16X2 | 17 | 2 |
| | | | 15 | M16X1.5 | 17 | |
| | | | 12 | S12,65X1.5 | 17 | |
| Test system plug-in series | | — | 10 | Stecksystem | — | 2和4 |
| | | | | | | |
| British pipe thread of pressure gauge connector is G3/4, G1/2 M14X1.5 and M20X1.5, with its shape same with that of N type | | M | 1/4 | G1/4 | 19 | 2/4 |
| | | | 1/2 | G1/2 | 27 | 2/4 |
| | | | 3/8 | G3/8 | 22 | 2 |
| | | | 14 | M14X1.5 | 19 | 2 |
| | | | 20 | M20X1.5 | 27 | 2 |
| When the NPT thread of the pressure gauge is 1/4NPT, its shape is same with that of M type. | | N | 1/4 | 1/4NPT | 19 | 2 |
| | | | 1/2 | 1/2NPT | 27 | |

Code size of connector for measuring hose

| Description | Hose joint | Model | G | SW | DN | |
|---|------------|-------|-----|---------|----|-----|
| When NPT thread 90° elbow thread of pressure gauge connector is 1 / 2NPT, its shape is same with that of M type | | A | 1/4 | 1/4NPT | 19 | 2和4 |
| | | | 1/2 | 1/2NPT | 27 | |
| For ferrule pipe joint, DIN2353 is available. | | S | 4 | 4LL | — | 2 |
| | | | 6 | 6L-6S | — | 2/4 |
| | | | 8 | 8L-8S | — | 2/4 |
| | | | 10 | 10L-10S | — | 2/4 |
| | | | 12 | 12L-12S | — | 2 |
| 1/4 | 1/4 O | — | 2/4 | | | |
| For ferrule pipe joints, DIN2353 90° elbow is available. | | SG | 6 | 6L-6S | — | 2和4 |
| | | | 8 | 8L-8S | — | |
| Sealed cone with lock nut and O-ring for 24° butt- | | K | 6L | M12X1.5 | 14 | 2和4 |
| | | | 8L | M14X1.5 | 17 | |
| | | | 10L | M16X1.5 | 19 | |
| | | | 12L | M18X1.5 | 22 | |
| | | | 6S | M14X1.5 | 17 | |
| | | | 8S | M16X1.5 | 19 | |
| | | | 10S | M18X1.5 | 22 | |
| 12S | M20X1.5 | 24 | | | | |
| Sealed cone with lock nut and O-ring for 24° butt 45° elbow | | R | 6L | M12X1.5 | 14 | 2和4 |
| | | | 6S | M14X1.5 | 17 | |
| Sealed cone with lock nut and O-ring for 24° butt 90° elbow | | L | 6L | M12X1.5 | 14 | — |
| | | | 8L | M14X1.5 | 17 | |
| | | | 10L | M16X1.5 | 19 | |
| | | | 6S | M14X1.5 | 17 | |
| | | | 8S | M16X1.5 | 19 | |
| 10S | M18X1.5 | 24 | | | | |

Code size of connector for measuring hose

| Description | Hose joint | Model | G | SW | DN | |
|---|------------|-------|------|------------|----|-----|
| Male thread connector, according to DIN3852-B | | G | 12 | M12X1.5 | 17 | — |
| | | | 1/8 | G1/8 | 14 | |
| | | | 1/4 | G1/4 | 19 | |
| | | | 1/2 | G1/2 | 27 | |
| NPT male thread, according to ANSI standard | | F | 1/8 | 1/8NPT | 13 | — |
| | | | 1/4 | 1/4NPT | 17 | |
| Male thread connector, according to GB/T3764-2008 | | C | 6L | M12X1.5 | 14 | 2和4 |
| | | | 8L | M14X1.5 | 17 | |
| | | | 6S | M14X1.5 | 17 | |
| | | | 8S | M16X1.5 | 17 | |
| Male thread connector, according to SAE J514 | | J | 1/4 | 7/16-20UNF | 14 | — |
| | | | 5/16 | 1/2-20UNF | 14 | |
| | | | 3/8 | 9/16-18UNF | 17 | |
| Sealing cone with lock nut for 24° butt joint according to DIN 2353 | | D | 6L | M12X1.5 | 14 | 2和4 |
| | | | 8L | M14X1.5 | 17 | |
| | | | 10L | M16X1.5 | 19 | |
| | | | 12L | M18X1.5 | 22 | |
| | | | 6S | M14X1.5 | 17 | |
| | | | 8S | M16X1.5 | 19 | |
| | | | 10S | M18X1.5 | 22 | |
| Sealing cone with lock nut for 24° butt 90° according to DIN 2353 | | Q | 10L | M16X1.5 | 19 | 2和4 |
| | | | 10S | M18X1.5 | 22 | |

Code size of connector for measuring hose

| Description | Hose joint | Model | G | SW | DN | |
|---|------------|-------|------|------------|----|-----|
| Sealing cone with lock nut according to DIN8542 | | B | 1/8 | G1/8 | 12 | — |
| | | | 1/4 | G1/4 | 17 | |
| Sealed cone with lock nut, according to SAE J514, for 37° butt | | U | 1/4 | 7/16-20UNF | 14 | 2和4 |
| | | | 5/16 | 1/2-20UNF | 17 | |
| | | | 3/8 | 9/16-18UNF | 19 | |
| Sealing cone with lock nut, according to SAE J514, for 45° butt | | UR | 1/4 | 7/16-20UNF | 14 | — |
| | | | — | — | — | |
| Seal cone with lock nut, according to SAE J514, for 37° butt, 90° elbow | | E | 1/4 | 7/16-20UNF | 14 | 2 |
| | | | — | — | — | |
| Seal cone with lock nut, according to SAE J514, for 37° butt, 90° elbow | | ER | 1/4 | 7/16-20UNF | 14 | 2 |
| | | | — | — | — | |
| Measuring hose connector for vehicle brakes | | P | 2 | M16X1.5 | 21 | 2 |
| | | | — | — | — | |

Pressure measuring connector and pressure measuring hose

Pressure measuring connector and pressure measuring hose

Code size of connector for measuring hose

| Description | Hose joint | Model | G | SW | DN | |
|--|------------|-------|-------|-------------|----|-----|
| Sealing cone with lock nut, for 60° butt joint | | H | 1/4 | 11/16-16UNF | 21 | 4 |
| | | | | | | |
| Female thread ORFS, according to SAEJ1453 | | T | 9/16 | 9/16-18UNF | 17 | 2 |
| | | | 11/16 | 11/16-16UNF | 21 | |
| Female thread ORFS, according to SAEJ1453 90°elbow | | V | 11/16 | 11/16-16UNF | 21 | 2和4 |

Pressure measuring connector and pressure measuring hose

Jl type rotary joint

Application

Connect the fixed joint with the rotating and swinging body through a rigid pipe or a hose to avoid twisting of the hose and excessively small bending radius.

Fluid medium

Mineral hydraulic oil and lubricating oil, not suitable for water or gas medium.

Material

The connector body and nut are made of carbon steel, and the seals are made of NBR nitrile rubber. If FPM fluorine rubber seals are required, please specify when ordering.

Rated temperature range

- Nitrile rubber NBR seal: -30°C ~ +100°C;
- Fluorine rubber FPM seal: -25°C ~ +120°C;

Working pressure range

Maximum working pressure up to 20.5Mpa

Allowable swing speed

Swing speed is 60°/S and below

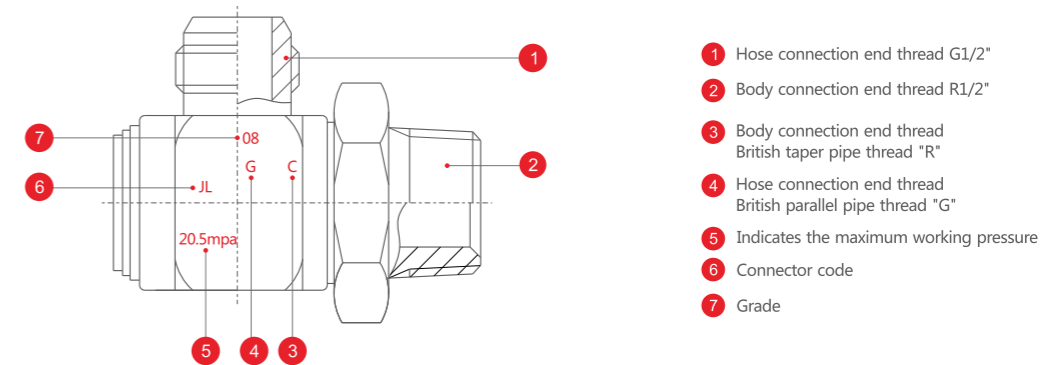
Surface treatment:

Galvanized pure yellow

Assembly

The life of the rotary joint depends on the application conditions of the pipe connection, so the direct connection of the hard pipe should be avoided as much as possible. Short hose (the free length of the hose is about 5 times of its outer diameter) straight installed is recommended to connect with the rotary connector, convenient for absorbing shock and vibration, avoiding the stress of the pipeline on the rotary joint, and prolonging the life of the connector.

Jl type rotary joint marking example



| | | | | | |
|----|---|----|-----|----|-------|
| 08 | Swing-side thread grade (hose connection end) | 04 | 1/4 | 16 | 1 |
| | Fixed side thread grade (body connection end) | 06 | 3/8 | 20 | 1 1/4 |
| | | 08 | 1/2 | 24 | 1 1/2 |
| | | 12 | 3/4 | 32 | 2 |

| | | | |
|---|---|---|--|
| G | Swing-side thread grade (hose connection end) | C | British taper pipe male thread R |
| | | D | British taper pipe female thread Rc |
| C | Fixed side connection thread (thread body connection end) | G | British parallel pipe male thread 60°, outer cone Rc |
| | | L | British parallel pipe female thread 60°, outer cone Rc |

| | |
|----|-----------------------------------|
| V | Material of seal: NBR or FPM |
| S | Connector material: carbon steel |
| JL | Connector type (rotary connector) |

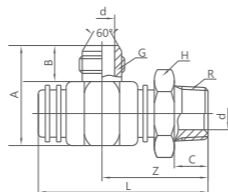
Pressure measuring connector and pressure measuring hose

JL-GC British pipe male thread 60° outer cone / British taper pipe male thread rotary joint

Characteristics

Structure type: Thread-Threaded connection
 Structure form: Tee
 Connection 1: British male thread
 Sealing form: 60° External seal
 Connection 2: British taper thread
 Sealing form: Thread seal
 Supply form: Rotary connector body
 Standard: JB/T8725-1998

Material: Carbon steel · Stainless steel · Copper
 Surface protection: Trivalent chromium environmental protection zinc layer
 Description: or instructions on assembly, embedment and pressure loads, as well as the allowable operating temperature, please refer to the technical information on casing bolt fastening



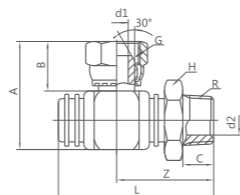
| Code | Thread | | L | A | B | d | C | H | Z |
|----------|--------|--------|-----|-----|----|------|----|----|----|
| | G | R | | | | | | | |
| JL-04-GC | G1/4 | R1/4 | 54 | 32 | 13 | 5 | 13 | 19 | 36 |
| JL-06-GC | G3/8 | R3/8 | 62 | 38 | 16 | 8 | 16 | 22 | 42 |
| JL-08-GC | G1/2 | R1/2 | 73 | 46 | 19 | 11 | 19 | 27 | 50 |
| JL-12-GC | G3/4 | R1/4 | 88 | 58 | 22 | 16 | 21 | 36 | 59 |
| JL-16-GC | G1 | R1 | 97 | 65 | 24 | 21 | 23 | 41 | 65 |
| JL-20-GC | G1 1/4 | R1 1/4 | 111 | 76 | 26 | 28 | 25 | 50 | 73 |
| JL-24-GC | G1 1/2 | R1 1/2 | 126 | 88 | 28 | 34 | 27 | 55 | 82 |
| JL-32-GC | G2 | R2 | 144 | 101 | 31 | 43.5 | 30 | 70 | 95 |

JL-LC British pipe female thread 60° outer cone / British taper pipe male thread rotary joint

Characteristics

Structure type: Thread-Threaded connection
 Structure form: Tee
 Connection 1: British pipe female thread
 Sealing form: 60° External seal
 Connection 2: British taper thread
 Sealing form: Thread seal
 Supply form: Rotary connector body
 Standard: JB/T8725-1998

Material: Carbon steel · Stainless steel · Copper
 Surface protection: Trivalent chromium environmental protection zinc layer
 Description: or instructions on assembly, embedment and pressure loads, as well as the allowable operating temperature, please refer to the technical information on casing bolt fastening



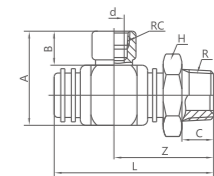
| Code | Thread | | L | A | B | d1 | d2 | C | H | Z |
|----------|--------|--------|-----|-----|----|----|------|----|----|----|
| | G | R | | | | | | | | |
| JL-04-LC | G1/4 | R1/4 | 54 | 39 | 20 | 5 | 5 | 13 | 19 | 36 |
| JL-06-LC | G3/8 | R3/8 | 62 | 42 | 20 | 8 | 8 | 16 | 22 | 42 |
| JL-08-LC | G1/2 | R1/2 | 73 | 49 | 22 | 10 | 11 | 19 | 27 | 50 |
| JL-12-LC | G3/4 | R3/4 | 88 | 62 | 26 | 16 | 16 | 21 | 36 | 59 |
| JL-16-LC | G1 | R1 | 97 | 70 | 29 | 20 | 21 | 23 | 41 | 65 |
| JL-20-LC | G1 1/4 | R1 1/4 | 111 | 82 | 34 | 25 | 28 | 25 | 50 | 73 |
| JL-24-LC | G1 1/2 | R1 1/2 | 126 | 94 | 36 | 31 | 34 | 27 | 55 | 82 |
| JL-32-LC | G2 | R2 | 144 | 108 | 38 | 43 | 43.5 | 30 | 70 | 95 |

JL-DC British taper pipe female thread / British taper pipe male thread rotary joint

Characteristics

Structure type: Thread-Threaded connection
 Structure form: Tee
 Connection 1: British male thread
 Sealing form: Taper thread seal
 Connection 2: British taper thread
 Sealing form: Thread seal
 Supply form: Rotary connector body
 Standard: JB/T8725-1998

Material: Carbon steel · Stainless steel · Copper
 Surface protection: Trivalent chromium environmental protection zinc layer
 Description: or instructions on assembly, embedment and pressure loads, as well as the allowable operating temperature, please refer to the technical information on casing bolt fastening



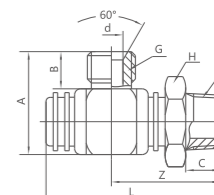
| Code | Thread | | L | A | B | d | C | H | Z |
|----------|---------|--------|-----|-----|----|------|----|----|----|
| | G | R | | | | | | | |
| JL-04-DC | Rc1/4 | R1/4 | 54 | 36 | 17 | 5 | 13 | 19 | 36 |
| JL-06-DC | Rc3/8 | R3/8 | 62 | 42 | 20 | 8 | 16 | 22 | 42 |
| JL-08-DC | Rc1/2 | R1/2 | 73 | 50 | 23 | 11 | 19 | 27 | 50 |
| JL-12-DC | Rc3/4 | R3/4 | 88 | 63 | 27 | 16 | 21 | 36 | 59 |
| JL-16-DC | Rc1 | R1 | 97 | 70 | 29 | 21 | 23 | 41 | 65 |
| JL-20-DC | Rc1 1/4 | R1 1/4 | 111 | 81 | 31 | 28 | 25 | 50 | 73 |
| JL-24-DC | Rc1 1/2 | R1 1/2 | 126 | 83 | 33 | 34 | 27 | 55 | 82 |
| JL-32-DC | Rc2 | R2 | 144 | 106 | 36 | 43.5 | 30 | 70 | 95 |

JL-KC British pipe male thread 60° inner cone / British taper pipe male thread rotary joint

Characteristics

Structure type: Thread-Threaded connection
 Structure form: Tee
 Connection 1: British pipe female thread
 Sealing form: Angle seal
 Connection 2: British pipe male thread
 Sealing form: Taper thread seal
 Supply form: Rotary connector body
 Standard: JB/T8725-1998

Material: Carbon steel · Stainless steel · Copper
 Surface protection: Trivalent chromium environmental protection zinc layer
 Description: or instructions on assembly, embedment and pressure loads, as well as the allowable operating temperature, please refer to the technical information on casing bolt fastening



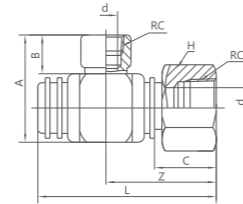
| Code | Thread | | L | A | B | d | C | H | Z |
|----------|--------|--------|-----|-----|----|------|----|----|----|
| | G | R | | | | | | | |
| JL-04-KC | G1/4 | R1/4 | 54 | 36 | 13 | 5 | 13 | 19 | 36 |
| JL-06-KC | G3/8 | R3/8 | 62 | 38 | 16 | 8 | 16 | 22 | 42 |
| JL-08-KC | G1/2 | R1/2 | 73 | 46 | 19 | 11 | 19 | 27 | 50 |
| JL-12-KC | G3/4 | R3/4 | 88 | 58 | 22 | 16 | 21 | 36 | 59 |
| JL-16-KC | G1 | R1 | 97 | 65 | 24 | 21 | 23 | 41 | 65 |
| JL-20-KC | G1 1/4 | R1 1/4 | 111 | 76 | 26 | 28 | 25 | 50 | 73 |
| JL-24-KC | G1 1/2 | R1 1/2 | 126 | 88 | 28 | 34 | 27 | 55 | 82 |
| JL-32-KC | G2 | R2 | 144 | 101 | 31 | 43.5 | 30 | 70 | 95 |

JL-DD British taper pipe female thread / British taper pipe male thread rotary joint

Characteristics

Structure type: Thread-Threaded connection
 Structure form: Tee
 Connection 1: British female thread
 Sealing form: Thread seal
 Connection 2: British female thread
 Sealing form: Taper thread seal
 Supply form: Rotary connector body
 Standard: JB/T8725-1998

Material: Carbon steel · Stainless steel · Copper
 Surface protection: Trivalent chromium environmental protection zinc layer
 Description: or instructions on assembly, embedment and pressure loads, as well as the allowable operating temperature, please refer to the technical information on casing bolt fastening



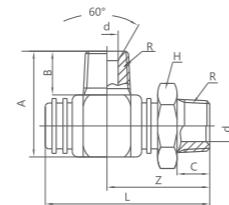
| Code | Thread | | L | A | B | d | C | H | Z |
|----------|---------|---------|-----|-----|----|------|----|----|----|
| | G | R | | | | | | | |
| JL-04-DD | Rc1/4 | Rc1/4 | 49 | 36 | 17 | 5 | 16 | 19 | 31 |
| JL-06-DD | Rc3/8 | Rc3/8 | 56 | 42 | 20 | 8 | 19 | 22 | 36 |
| JL-08-DD | Rc1/2 | Rc1/2 | 66 | 50 | 23 | 11 | 22 | 27 | 43 |
| JL-12-DD | Rc3/4 | Rc3/4 | 80 | 63 | 27 | 16 | 25 | 36 | 51 |
| JL-16-DD | Rc1 | Rc1 | 89 | 70 | 29 | 21 | 28 | 41 | 57 |
| JL-20-DD | Rc1 1/4 | Rc1 1/4 | 102 | 81 | 31 | 28 | 30 | 50 | 64 |
| JL-24-DD | Rc1 1/2 | Rc1 1/2 | 116 | 93 | 33 | 34 | 32 | 55 | 72 |
| JL-32-DD | Rc2 | Rc2 | 129 | 106 | 36 | 43.5 | 35 | 70 | 80 |

JL-CC British taper pipe male thread / British taper pipe male thread rotary joint

Characteristics

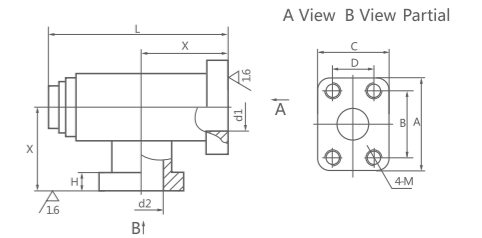
Structure type: Thread-Threaded connection
 Structure form: Tee
 Connection 1: British male thread
 Sealing form: Taper thread seal
 Connection 2: British male thread
 Sealing form: Taper thread seal
 Supply form: Rotary connector body
 Standard: JB/T8725-1998

Material: Carbon steel · Stainless steel · Copper
 Surface protection: Trivalent chromium environmental protection zinc layer
 Description: or instructions on assembly, embedment and pressure loads, as well as the allowable operating temperature, please refer to the technical information on casing bolt fastening



| Code | Thread | | L | A | B | d | C | H | Z |
|----------|--------|--------|-----|-----|----|------|----|----|----|
| | G | R | | | | | | | |
| JL-04-CC | R1/4 | R1/4 | 54 | 32 | 13 | 5 | 13 | 19 | 36 |
| JL-06-CC | R3/8 | R3/8 | 62 | 38 | 16 | 8 | 16 | 22 | 42 |
| JL-08-CC | R1/2 | R1/2 | 73 | 46 | 19 | 11 | 19 | 27 | 50 |
| JL-12-CC | R3/4 | R3/4 | 88 | 58 | 22 | 16 | 21 | 36 | 59 |
| JL-16-CC | R1 | R1 | 97 | 65 | 24 | 21 | 23 | 41 | 65 |
| JL-20-CC | R1 1/4 | R1 1/4 | 111 | 76 | 26 | 28 | 25 | 50 | 73 |
| JL-24-CC | R1 1/2 | R1 1/2 | 126 | 88 | 28 | 34 | 27 | 55 | 82 |
| JL-32-CC | R2 | R2 | 144 | 101 | 31 | 43.5 | 30 | 70 | 95 |

Rotary valve series comparison table

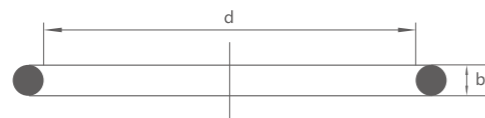


ZF Series

| Specification code | X | L | Y | d1 | d2 | A | B±0.2 | C | D±0.2 | H/mm | M/mm |
|--------------------|------|-----|----|----|----|------|-------|----|-------|------|------|
| 12 | 41 | 73 | 40 | 12 | 12 | 54.1 | 38.1 | 46 | 17.5 | 15 | M8 |
| 14 | 49 | 89 | 50 | 14 | 14 | 58.7 | 42.9 | 50 | 19.8 | 15 | M8 |
| 17 | 53 | 95 | 53 | 17 | 17 | 65 | 47.6 | 52 | 23.2 | 15 | M8 |
| 22 | 55 | 99 | 55 | 22 | 22 | 70.4 | 52.4 | 59 | 26.2 | 18 | M10 |
| 26 | 60.5 | 107 | 60 | 26 | 26 | 79.3 | 58.7 | 72 | 30.2 | 18 | M10 |
| 30 | 64 | 111 | 60 | 30 | 30 | 94 | 69.9 | 74 | 33.8 | 21 | M12 |

1. Operating conditions: oil temperature: -30°C-+120°C, pressure: 20.3MPa.
2. Standard method: Right-angle rotary valve ZF-X, X means the specification listed in the above table.
3. Performance characteristics: In the use conditions, there is no leakage, and the rotational moment of A-view flange is $\le 15N.m$.

Seals



O-ring DIN24° taper light series
O-ring for O-ring sealing

| O-ring code | Thread | Size | | Outer diameter of pipe |
|-------------|---------|------|-----|------------------------|
| | | d | b | |
| O04.5x1.5 | M12X1.5 | 4.5 | 1.5 | 6 |
| O06.5x1.5 | M14X1.5 | 6.5 | 1.5 | 8 |
| O08.0x1.5 | M16X1.5 | 8 | 1.5 | 10 |
| O10.0x1.5 | M18X1.5 | 10 | 1.5 | 12 |
| O12.0x1.5 | M22X1.5 | 12 | 2 | 15 |
| O15.0x2.0 | M26X1.5 | 15 | 2 | 18 |
| O15.0x2.0 | M27X1.5 | 15 | 2 | 18 |
| O19.0x2.0 | M30X2 | 19 | 2 | 22 |
| O25.0x2.0 | M36X2 | 25 | 2 | 28 |
| O32.0x2.5 | M45X2 | 32 | 2.5 | 35 |
| O38.0x2.5 | M52X2 | 38 | 2.5 | 42 |

O-ring for DIN24° taper heavy series O-ring

| O-ring code | Thread | Size | | Outer diameter of pipe |
|-------------|---------|------|-----|------------------------|
| | | d | b | |
| O04.5x1.5 | M14X1.5 | 4.5 | 1.5 | 6 |
| O06.5x1.5 | M16X1.5 | 6.5 | 1.5 | 8 |
| O08.0x1.5 | M18X1.5 | 8 | 1.5 | 10 |
| O10.0x1.5 | M20X1.5 | 10 | 1.5 | 12 |
| O11.0x2.0 | M22X1.5 | 11 | 2 | 14 |
| O13.0x2.0 | M24X1.5 | 13 | 2 | 16 |
| O16.3x2.4 | M30X2 | 16.3 | 2.4 | 20 |
| O20.3x2.4 | M36X2 | 20.3 | 2.4 | 25 |
| O25.3x2.4 | M42X2 | 25.3 | 2.4 | 30 |
| O33.3x2.4 | M52X2 | 33.3 | 2.4 | 38 |

O-rings for British male thread O-ring seal joints

| O-ring code | Thread | Size | |
|-------------|-----------|-------|------|
| | | d | b |
| O10.77x2.62 | G1/4X19 | 10.77 | 2.62 |
| O13.94x2.62 | G3/8X19 | 13.94 | 2.62 |
| O17.12x2.62 | G1/2X14 | 17.12 | 2.62 |
| O19.18x2.62 | G5/8X14 | 19.18 | 2.46 |
| O23.47x2.62 | G3/4X14 | 23.47 | 3.53 |
| O29.74x3.53 | G1X11 | 29.74 | 3.53 |
| O37.69x3.53 | G1 1/4X11 | 37.69 | 3.53 |
| O44.04x3.53 | G1 1/2X11 | 44.04 | 3.53 |
| O54.0x3.0 | G2X11 | 54 | 3 |

O-ring for American OFS male thread flat O-ring seal

| O-ring code | Thread | Size | |
|-------------|--------------|-------|------|
| | | d | b |
| O7.65x1.78 | 9/16x18UNF | 7.65 | 1.78 |
| O9.25x1.78 | 11/16x16UN | 9.25 | 1.78 |
| O12.42x1.78 | 13/16x16UN | 12.42 | 1.78 |
| O15.6x1.78 | 1x14UNsf | 15.6 | 1.78 |
| O18.77x1.78 | 1.3/16x12UN | 18.77 | 1.78 |
| O23.52x1.78 | 1.7/16x12UN | 23.52 | 1.78 |
| O29.87x1.78 | 1.11/16x12UN | 29.87 | 1.78 |
| O37.82x1.78 | 2x12UN | 37.82 | 1.78 |

O-ring for ISO 6162 flange

| O-ring code | Flange model | Size | |
|-------------|--------------|-------|------|
| | | d | b |
| O18.64x3.53 | 1/2" | 18.64 | 3.53 |
| O24.99x3.53 | 3/4" | 24.99 | 3.53 |
| O32.92x3.53 | 1" | 32.92 | 3.53 |
| O37.69x3.53 | 1 1/4" | 37.69 | 3.53 |
| O47.22x3.53 | 1 1/2" | 47.22 | 3.53 |
| O56.74x3.53 | 2" | 56.74 | 3.53 |
| O69.44x3.53 | 2 1/2" | 69.44 | 3.53 |

O-ring for American SAE outer thread O-ring seal joint

| O-ring code | Thread | Size | |
|-------------|-------------|-------|------|
| | | d | b |
| O8.92x1.83 | 7/16x20UNF | 8.95 | 1.83 |
| O10.52x1.83 | 1/2x20UNF | 10.52 | 1.83 |
| O11.89x1.98 | 9/16x18UNF | 11.89 | 1.98 |
| O16.36x2.21 | 3/4x16UNF | 16.36 | 2.21 |
| O19.18x2.46 | 7/8x14UNF | 19.18 | 2.46 |
| O23.47x2.95 | 1.1/16x12UN | 23.47 | 2.95 |
| O26.62x2.95 | 1.3/16x12UN | 26.62 | 2.95 |
| O29.74x2.95 | 1.5/16x12UN | 29.74 | 2.95 |
| O37.46x3.00 | 1.5/8x12UN | 37.46 | 3 |
| O43.69x3.00 | 1.7/8x12UN | 43.69 | 3 |
| O59.36x3.00 | 2.1/2x12UN | 59.36 | 3 |

O-ring for JIS8363 British male thread column end

| O-ring code | Thread | Size | |
|-------------|-----------|------|-----|
| | | d | b |
| O07.8x1.9 | G1/8x28 | 7.8 | 1.9 |
| O10.8x2.4 | G1/4x19 | 10.8 | 2.4 |
| O13.8x2.4 | G3/8x14 | 13.8 | 2.4 |
| O17.8x2.4 | G1/2x14 | 17.8 | 2.4 |
| O23.7x3.5 | G3/4x14 | 23.7 | 3.5 |
| O28.7x3.5 | G1x11 | 28.7 | 3.5 |
| O37.7x3.5 | G1 1/4x11 | 37.7 | 3.5 |
| O43.7x3.5 | G1 1/2x11 | 43.7 | 3.5 |

O-ring for SAE mining joints

| O-ring code | Thread | Size | |
|-------------|--------|------|-----|
| | | d | b |
| O06.0x2.0 | -04 | 6.0 | 2.0 |
| O10.0x2.0 | -06 | 10.0 | 2.0 |
| O13.0x2.5 | -08 | 13.0 | 2.5 |
| O19.0x2.5 | -12 | 19.0 | 2.5 |
| O25.0x2.5 | -16 | 25.0 | 2.5 |
| O33.0x2.5 | -20 | 33.0 | 2.5 |
| O40.0x3.0 | -24 | 40.0 | 3.0 |
| O50.0x3.0 | -32 | 50.0 | 3.0 |

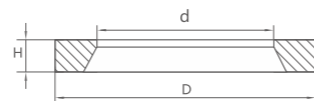
O-ring for ISO6149 metric male thread column ends

| O-ring code | Thread | Size | |
|-------------|---------|------|-----|
| | | d | b |
| O06.1x1.6 | M8x1 | 6.1 | 1.6 |
| O08.1x1.6 | M10x1 | 8.1 | 1.6 |
| O09.3x2.4 | M12x1.5 | 9.3 | 2.4 |
| O11.3x2.4 | M14x1.5 | 11.3 | 2.4 |
| O13.3x2.4 | M16x1.5 | 13.3 | 2.4 |
| O15.3x2.4 | M18x1.5 | 15.3 | 2.4 |
| O17.3x2.4 | M20x1.5 | 17.3 | 2.4 |
| O19.3x2.4 | M22x1.5 | 19.3 | 2.4 |
| O21.3x3.0 | M24x1.5 | 21.3 | 3 |
| O23.5x3.0 | M26x1.5 | 23.5 | 3 |
| O23.5x3.0 | M27x2 | 23.5 | 3 |
| O26.5x3.0 | M30x2 | 26.5 | 3 |
| O29.5x3.0 | M33x2 | 29.5 | 3 |
| O38.5x3.0 | M42x2 | 38.5 | 3 |
| O44.5x3.0 | M48x2 | 44.5 | 3 |
| O46.2x3.0 | M60x2 | 46.2 | 3 |

Additional information

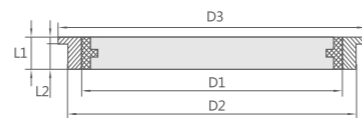
Additional information

ED Ring



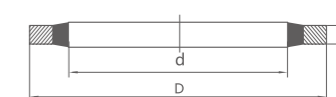
| Rubber gasket code | Thread | Size | | |
|--------------------|-----------|------|------|-----|
| | | d | D | H |
| 11.9X8.4X1 | G1/828 | 8.4 | 11.9 | 1.0 |
| 16.5X11.6X1.5 | G1/4X19 | 11.6 | 16.5 | 1.5 |
| 18.9X14.7X1.5 | G3/8X19 | 14.7 | 18.9 | 1.5 |
| 23.9X18.5X1.5 | G1/2X14 | 18.5 | 23.9 | 1.5 |
| 29.2X23.9X1.5 | G3/4X14 | 23.9 | 29.2 | 1.5 |
| 35.7X29.7X2 | G1X11 | 29.7 | 35.7 | 2.0 |
| 45.8X38.8X2 | G1.1/4X11 | 38.8 | 45.8 | 2.0 |
| 50.7X44.7X2 | G1.1/2X11 | 44.7 | 50.7 | 2.0 |
| 11.9X8.4X1 | M10X1 | 8.4 | 11.9 | 1.0 |
| 14.4X9.8X1.5 | M12X1.5 | 9.8 | 14.4 | 1.5 |
| 16.5X11.6X1.5 | M14X1.5 | 11.6 | 16.5 | 1.5 |
| 18.9X13.8X1.5 | M16X1.5 | 13.8 | 18.9 | 1.5 |
| 20.9X15.7X1.5 | M18X1.5 | 15.7 | 20.9 | 1.5 |
| 22.9X17.8X1.5 | M20X1.5 | 17.8 | 22.9 | 1.5 |
| 24.3X19.6X1.5 | M22X1.5 | 19.6 | 24.3 | 1.5 |
| 29.2X23.9X1.5 | M26X1.5 | 23.9 | 29.2 | 1.5 |
| 29.2X23.9X1.5 | M27X2 | 23.9 | 29.2 | 1.5 |
| 35.7X29.7X2 | M33X2 | 29.7 | 35.7 | 2.0 |
| 45.8X38.8X2 | M42X2 | 38.8 | 45.8 | 2.0 |
| 50.7X44.7X2 | M48X2 | 44.7 | 50.7 | 2.0 |

KDS elastic sealing gasket



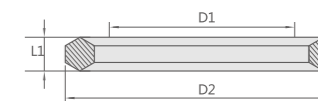
| Sealing gasket code | Thread | Size | | | | |
|---------------------|------------|------|------|------|-----|-----|
| | | D1 | D2 | D3 | L1 | L2 |
| KDS-M10 | M10、G1/8 | 10.3 | 14.9 | 16.0 | 2.5 | 1.1 |
| KDS-M12 | M12 | 12.3 | 17 | 18.0 | 3.0 | 1.6 |
| KDS-M14 | M14、G1/4 | 14.3 | 18.9 | 20.0 | 3.0 | 1.6 |
| KDS-M16 | M16、G3/8 | 17 | 21.9 | 24.0 | 3.0 | 2.1 |
| KDS-M18 | M18 | 18.3 | 23.9 | 23.9 | 3.0 | — |
| KDS-M22 | M22、G1/2 | 22.3 | 26.9 | 30.0 | 4.5 | 2.6 |
| KDS-M26 | M26 | 26.3 | 31.9 | 35.0 | 3.5 | 2.6 |
| KDS-M27 | M27、3/4 | 27.3 | 32.9 | 38.0 | 3.5 | 2.6 |
| KDS-M33 | M33、G1 | 33.6 | 39.9 | 42.0 | 3.5 | 2.6 |
| KDS-M42 | M42、G1.1/4 | 42.4 | 49.9 | 49.9 | 3.5 | — |
| KDS-M48 | M48、G1.1/2 | 48.4 | 55.9 | 60.0 | 3.5 | 2.6 |

Combined gasket



| Combined gasket code | Thread | Size | |
|----------------------|------------|------|----|
| | | d | D |
| ZHD-10 | M10、G1/8 | 10.4 | 16 |
| ZHD-14 | M14、G1/4 | 14.4 | 20 |
| ZHD-16 | M16 | 16.4 | 22 |
| ZHD-18 | M18、G3/8 | 18.4 | 25 |
| ZHD-22 | M22、G1/2 | 22.5 | 30 |
| ZHD-24 | M24 | 24.5 | 32 |
| ZHD-27 | M27、G3/4 | 27.5 | 35 |
| ZHD-30 | M30 | 30.5 | 38 |
| ZHD-33 | M33、G1 | 33.5 | 42 |
| ZHD-36 | M36 | 36.6 | 46 |
| ZHD-42 | M42、G1.1/4 | 42.6 | 53 |
| ZHD-45 | M45 | 45.6 | 56 |
| ZHD-48 | M45、G1.1/2 | 48.7 | 60 |
| ZHD-52 | M52 | 52.7 | 66 |
| ZHD-60 | M60、G2 | 60.7 | 75 |

GDK steel gasket



| Steel gasket code | Thread | Size | | |
|-------------------|-----------|------|----|-----|
| | | D1 | D2 | D3 |
| GDK-B02 | G1/8x28 | 9.8 | 14 | 2.5 |
| GDK-B04 | G1/4x19 | 13.3 | 18 | 3 |
| GDK-B06 | G3/8x19 | 16.8 | 22 | 3 |
| GDK-B08 | G1/2x14 | 21.1 | 26 | 4.5 |
| GDK-B12 | G3/4x14 | 26.6 | 32 | 3.5 |
| GDK-B16 | G1x11 | 33.4 | 39 | 3.5 |
| GDK-B20 | G1.1/4x11 | 42.1 | 49 | 3.5 |
| GDK-B24 | G1.1/2x11 | 48.1 | 55 | 3.5 |

| Steel gasket code | Thread | Size | | |
|-------------------|---------|------|----|-----|
| | | D1 | D2 | D3 |
| GDK-M8 | M8X1 | 8.1 | 12 | 2.5 |
| GDK-M10 | M10X1 | 10.1 | 14 | 3.0 |
| GDK-M12 | M12X1.5 | 12.1 | 17 | 3.0 |
| GDK-M14 | M14X1.5 | 14.1 | 19 | 3.0 |
| GDK-M16 | M16X1.5 | 16.1 | 21 | 3.0 |
| GDK-M18 | M18X1.5 | 18.1 | 23 | 3.0 |
| GDK-M20 | M20X1.5 | 20.1 | 25 | 3.0 |
| GDK-M22 | M22X1.5 | 22.1 | 27 | 4.5 |
| GDK-M26 | M26X1.5 | 26.1 | 31 | 3.5 |
| GDK-M27 | M27X2 | 27.1 | 32 | 3.5 |
| GDK-M33 | M33X2 | 33.1 | 39 | 3.5 |
| GDK-M42 | M42X2 | 42.1 | 49 | 3.5 |
| GDK-M48 | M48X2 | 48.1 | 55 | 3.5 |

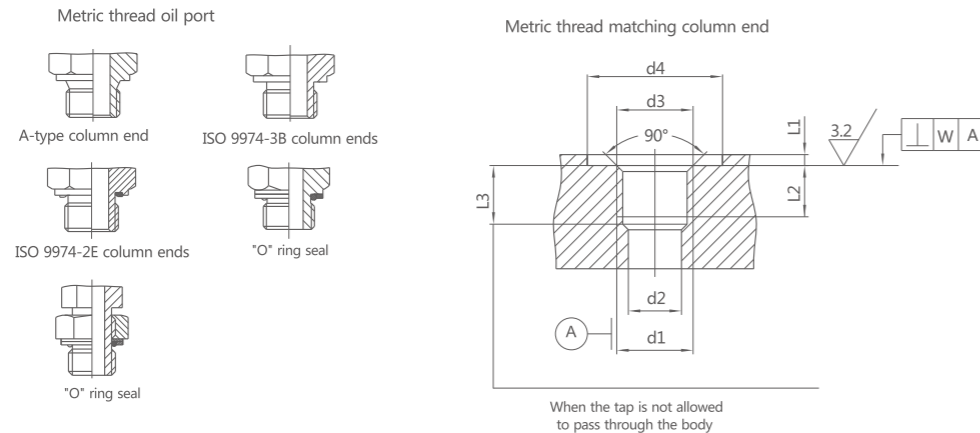
Additional information

Additional information

Oil port type and size

Oil port type

ISO 9974-1 metric thread oil ports and mating column ends

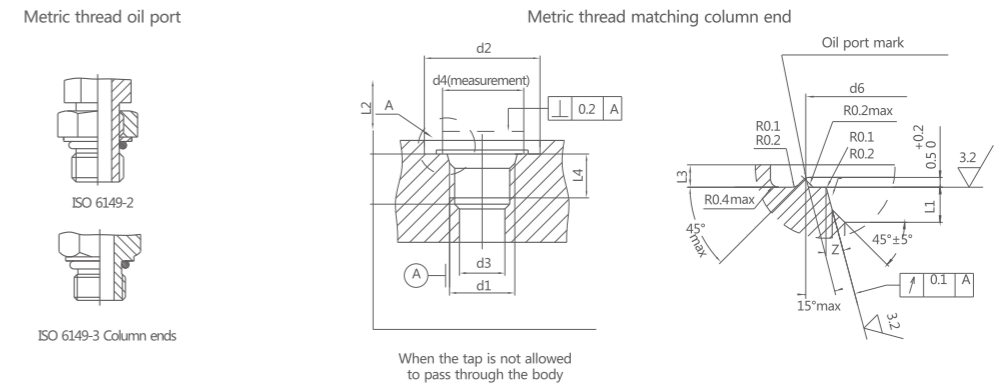


Oil port size

| Thread d1 | d2 Reference | d3 | | d4 min | L1 max | L2 min | L3 min | W |
|-----------|--------------|------|-----------|--------|--------|--------|--------|-----|
| | | Size | Tolerance | | | | | |
| M8x1 | 3 | 8 | 0,+0.2 | 13 | 1 | 8 | 10 | 0.1 |
| M10x1 | 4.5 | 10 | 0,+0.2 | 15 | 1 | 8 | 10 | 0.1 |
| M12x1.5 | 6 | 12 | 0,+0.2 | 18 | 1.5 | 12 | 15 | 0.1 |
| M14x1.5 | 7 | 14 | 0,+0.2 | 20 | 1.5 | 12 | 15 | 0.1 |
| M16x1.5 | 9 | 16 | 0,+0.2 | 23 | 1.5 | 12 | 15 | 0.1 |
| M18x1.5 | 11 | 18 | 0,+0.2 | 25 | 2 | 12 | 15 | 0.1 |
| M20x1.5 | 10 | 20 | 0,+0.2 | 27 | 2 | 14 | 17 | 0.1 |
| M22x1.5 | 14 | 22 | 0,+0.2 | 28 | 2.5 | 14 | 17 | 0.1 |
| M26x1.5 | 18 | 26 | 0,+0.2 | 33 | 2.5 | 16 | 19 | 0.2 |
| M27x2 | 16 | 27 | 0,+0.2 | 33 | 2.5 | 16 | 20 | 0.2 |
| M33x2 | 23 | 33 | 0,+0.2 | 41 | 2.5 | 18 | 22 | 0.2 |
| M42x2 | 30 | 42 | 0,+0.2 | 51 | 2.5 | 20 | 24 | 0.2 |
| M48x2 | 36 | 48 | 0,+0.2 | 56 | 2.5 | 22 | 36 | 0.2 |

Oil port type

ISO 6149-1 metric thread oil ports and mating column ends

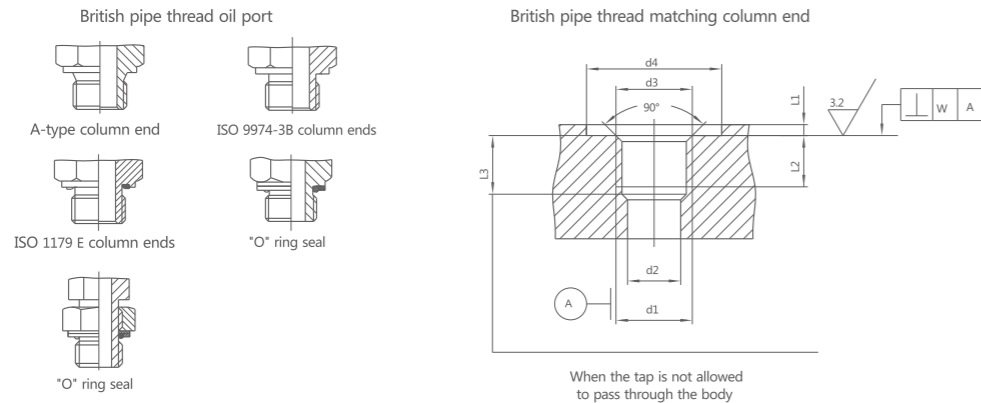


Oil port size

| Thread d1 | d3 | | d3 ref | d4 | d5 +0.1 0 | d6 +0.5 0 | L1 +0.4 0 | L2 min | L3 min | L4 min | Z ±1° | O-RING |
|-----------|-------------------|-------------------|--------|------|-----------|-----------|-----------|--------|--------|--------|-------|----------|
| | min. ¹ | min. ² | | | | | | | | | | |
| M8x1 | 17 | 14 | 3 | 12.5 | 9.1 | 14 | 1.6 | 11.5 | 1 | 10 | 12 | 6.1x1.6 |
| M10x1 | 20 | 16 | 4.5 | 14.5 | 11.1 | 16 | 1.6 | 11.5 | 1 | 10 | 12 | 8.1x1.6 |
| M12x1.5 | 23 | 19 | 6 | 17.5 | 13.8 | 19 | 2.4 | 14 | 1.5 | 11.5 | 15 | 9.3x2.2 |
| M14x1.5 | 25 | 21 | 7.5 | 19.5 | 15.8 | 21 | 2.4 | 14 | 1.5 | 11.5 | 15 | 11.3x2.2 |
| M16x1.5 | 28 | 24 | 9 | 22.5 | 17.8 | 24 | 2.4 | 15.5 | 1.5 | 13 | 15 | 13.3x2.2 |
| M18x1.5 | 30 | 26 | 11 | 24.5 | 19.8 | 26 | 2.4 | 17 | 2 | 14.5 | 15 | 15.3x2.2 |
| M20x1.5 | 32 | 27 | — | 25.5 | 21.8 | 27 | 2.4 | — | 2 | 14.5 | 15 | 17.3x2.2 |
| M22x1.5 | 34 | 29 | 14 | 27.5 | 23.8 | 29 | 2.4 | 18 | 2 | 15.5 | 15 | 19.3x2.2 |
| M27x2 | 40 | 34 | 18 | 32.5 | 29.4 | 34 | 3.1 | 22 | 2 | 19 | 15 | 23.6x2.9 |
| M33x2 | 49 | 43 | 23 | 41.5 | 35.4 | 43 | 3.1 | 22 | 2.5 | 19 | 15 | 29.6x2.9 |
| M42x2 | 60 | 52 | 30 | 50.5 | 44.4 | 52 | 3.1 | 22.5 | 2.5 | 19.5 | 15 | 38.6x2.9 |
| M48x2 | 66 | 57 | 36 | 55.5 | 50.4 | 57 | 3.1 | 25 | 2.5 | 22 | 15 | 44.6x2.9 |
| M60x2 | 76 | 67 | 44 | 65.5 | 62.4 | 67 | 3.1 | 27.5 | 2.5 | 24.5 | 15 | 56.6x2.9 |

Oil port type

ISO 1179-1 British thread oil ports and mating column ends

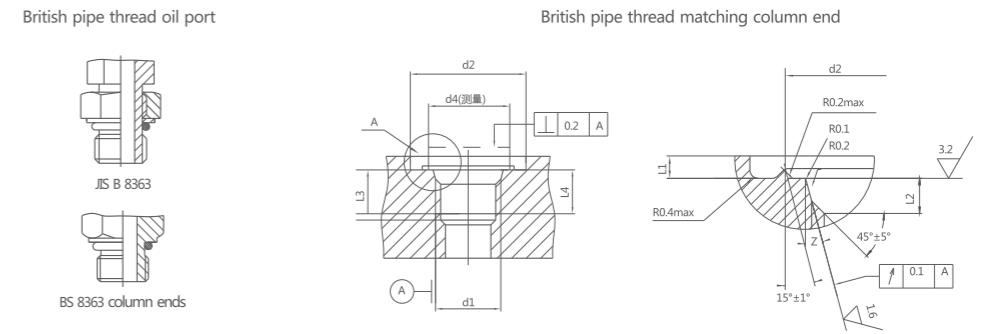


Oil port size

| Thread d1 | d2 ref | d3 | L1 +0.4 | | L1 max | L2 min | L3 min | W | |
|-----------|--------|------|-------------------|-------------------|--------|--------|--------|------|-----|
| | | | min. ¹ | min. ² | | | | | |
| G1/8x28 | 4.5 | 9.8 | 0,+0.2 | 15 | 17.2 | 1 | 8.5 | 10.5 | 0.1 |
| G1/4x19 | 7.5 | 13.2 | 0,+0.2 | 20 | 20.7 | 1.5 | 12.5 | 15.5 | 0.1 |
| G3/8x19 | 9 | 16.7 | 0,+0.2 | 23 | 24.5 | 2 | 12.5 | 15.5 | 0.1 |
| G1/2x14 | 14 | 21 | 0,+0.2 | 28 | 29.6 | 2.5 | 15 | 19 | 0.1 |
| G3/4x14 | 18 | 26.5 | 0,+0.2 | 33 | 36.9 | 2.5 | 16.5 | 20.5 | 0.2 |
| G1x11 | 23 | 33.3 | 0,+0.3 | 41 | 46.1 | 2.5 | 19 | 24 | 0.2 |
| G1 1/4x11 | 30 | 42 | 0,+0.3 | 51 | 54 | 2.5 | 21.5 | 26.5 | 0.2 |
| G1 1/2x11 | 36 | 47.9 | 0,+0.3 | 56 | 60.5 | 2.5 | 22.5 | 27.5 | 0.2 |
| G2x11 | 47 | 59.7 | 0,+0.3 | 69 | 73.3 | 3 | 26 | 31 | 0.2 |

Oil port type

JIS B 8363 British thread oil ports and mating column ends



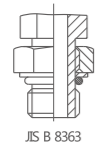
Oil port size

| Thread d1 | d2 +0.1 | d3 | L1 max | L2 +0.4 | L3 min | L4 min | O-RING |
|-----------|---------|----|--------|---------|--------|--------|----------|
| G1/8x28 | 11.6 | 18 | 1 | 2 | 10 | 15 | 7.8x1.9 |
| G1/4x19 | 15.6 | 24 | 1.5 | 2.5 | 12 | 18 | 10.8x2.4 |
| G3/8x19 | 18.6 | 28 | 2 | 2.5 | 12 | 18 | 13.8x2.4 |
| G1/2x14 | 22.6 | 34 | 2.5 | 2.5 | 16 | 24 | 17.8x2.4 |
| G3/4x14 | 29.8 | 45 | 2.5 | 3.5 | 17 | 25 | 23.7x3.5 |
| G1x11 | 35.8 | 51 | 2.5 | 3.5 | 21 | 30 | 28.7x3.5 |
| G1 1/4x11 | 44.8 | 62 | 2.5 | 3.5 | 21.4 | 30 | 37.7x3.5 |
| G1 1/2x11 | 50.8 | 68 | 2.5 | 3.5 | 21.4 | 30 | 43.7x3.5 |

Oil port type

ISO 11926 American thread oil port and matching column end

British pipe thread oil port

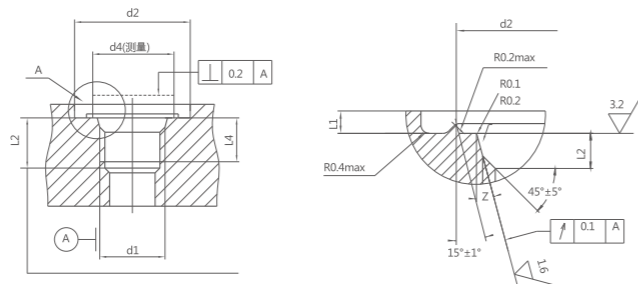


JIS B 8363



BS 8363 column ends

British pipe thread matching column end



When the tap is not allowed to pass through the body

Oil port size

| Thread d1 | d2 min | d3 ref | d4 min | d5 ±0.05 | L1 +0.4 0 | L2 min | L3 min | L4 min | Z ±1° | O-RING |
|------------|--------|--------|--------|----------|-----------|--------|--------|--------|-------|------------|
| 5/16"x24 | 17 | 2.5 | 11 | 9.15 | 1.9 | 12 | 1.6 | 10 | 12 | 6.07x1.63 |
| 3/8"x24 | 19 | 3.5 | 13 | 10.75 | 2.4 | 12 | 1.6 | 10 | 12 | 7.65x1.63 |
| 7/16"x20 | 21 | 4.5 | 15 | 12.45 | 2.4 | 14 | 1.6 | 11.5 | 12 | 8.92x1.83 |
| 1/2"x20 | 23 | 6 | 16 | 14.05 | 2.5 | 14 | 1.6 | 11.5 | 12 | 10.52x1.83 |
| 9/16x18 | 25 | 7.5 | 18 | 15.7 | 2.5 | 15.5 | 2.4 | 12.7 | 15 | 11.89x1.98 |
| 3/4"x16 | 30 | 10 | 22 | 20.65 | 3.3 | 17.5 | 2.4 | 14.3 | 15 | 16.36x2.21 |
| 7/8"x14 | 34 | 12.5 | 26 | 24 | 3.3 | 20 | 2.4 | 16.7 | 15 | 19.18x1.98 |
| 1 1/16"x12 | 41 | 16 | 32 | 29.2 | 3.3 | 23 | 2.4 | 19 | 15 | 23.47x2.95 |
| 1 3/16"x12 | 45 | 18 | 35 | 32.4 | 3.3 | 23 | 2.4 | 19 | 15 | 26.62x2.95 |
| 1 5/16"x12 | 49 | 21 | 38 | 35.55 | 3.3 | 23 | 3.2 | 19 | 15 | 29.74x2.95 |
| 1 5/8"x12 | 58 | 27 | 48 | 43.55 | 3.3 | 23 | 3.2 | 19 | 15 | 37.46x3.00 |
| 1 7/8"x12 | 65 | 33 | 54 | 49.9 | 3.3 | 23 | 3.2 | 19 | 15 | 43.69x3.00 |
| 2 1/2"x12 | 88 | 45 | 70 | 65.75 | 3.3 | 23 | 3.2 | 19 | 15 | 59.36x3.00 |

| Parameters | Page |
|------------|------|
| F | |
| F | 057 |
| FL | 256 |
| FL-W | 257 |
| FS | 256 |
| FS-W | 257 |
| H | |
| H-EL | 186 |
| H-EW | 185 |
| H-G | 183 |
| H-GE-G ZH | 192 |
| H-GE-M | 189 |
| H-GE-M ZH | 192 |
| H-GE-NPT | 194 |
| H-GE-R | 194 |
| H-GSV | 187 |
| H-K | 184 |
| H-LEE-M | 191 |
| H-LSV | 189 |
| H-T | 184 |
| H-TEE-M | 191 |
| H-EL | 185 |
| H-TSV | 192 |
| H-VEE-M | 190 |
| H-W | 183 |
| H-WEE-M | 190 |
| H-WSV | 188 |
| J | |
| J-EG | 139 |

| Parameters | Page |
|------------|------|
| J-EG-NPT | 154 |
| J-EG-R | 161 |
| J-EG-S | 141 |
| J-EL | 142 |
| J-ET | 142 |
| J-ET-D | 143 |
| J-ET-E | 143 |
| J-EV | 140 |
| J-EW | 140 |
| J-G | 136 |
| J-G-D | 144 |
| J-GE-G | 171 |
| J-GE-G-ED | 176 |
| J-GE-L-UNF | 163 |
| J-GE-M | 167 |
| J-GE-NPT | 155 |
| J-GE-R | 158 |
| J-GE-UNF | 162 |
| J-GIR-G | 177 |
| J-GRI-NPT | 155 |
| J-GRI-R | 161 |
| J-GSV | 146 |
| J-GSV-NPT | 157 |
| NB300 | 180 |
| NB500 | 181 |
| J-K | 138 |
| J-LEE-G | 174 |
| J-LEE-M | 170 |
| J-LEE-UNF | 165 |
| J-LE-NPT | 153 |
| J-LRI-NPT | 156 |
| J-LSV | 148 |

| Parameters | Page |
|-------------|------|
| NB200 | 180 |
| J-T | 138 |
| J-TEE-G | 174 |
| J-TEE-UNF | 166 |
| J-TE-NPT | 153 |
| J-TRI-NPT | 156 |
| J-TSV | 148 |
| J-V | 137 |
| J-VEE-G | 172 |
| J-VEE-M | 168 |
| J-VEE-UNF | 163 |
| J-VE-NPT | 150 |
| J-VE-R | 159 |
| J-VSV | 147 |
| J-W | 137 |
| J-WEE-G | 173 |
| J-WEE-M | 169 |
| J-WEE-UNF | 164 |
| J-WEE-UNF-L | 165 |
| J-WE-LL-NPT | 152 |
| J-WE-L-NPT | 152 |
| J-WE-NPT | 151 |
| J-WE-R | 160 |
| J-WRI-NPT | 155 |
| J-WSV | 147 |
| K | |
| K-EW | 122 |
| K-G | 121 |
| K-GAS | 131 |
| K-GE-G | 128 |

| Parameters | Page |
|------------|------|
| K-GE-G ZH | 133 |
| K-GE-M | 124 |
| K-GE-M ZH | 132 |
| K-GE-NPT | 128 |
| K-GE-R | 130 |
| K-GE-UNF | 127 |
| K-GSV | 131 |
| K-LEE-M | 125 |
| K-MAV | 131 |
| K-T | 121 |
| K-TEE-M | 125 |
| K-VE-NPT | 129 |
| K-WEE-G | 126 |
| K-WEE-M | 124 |
| K-WEE-UNF | 127 |
| K-WE-NPT | 129 |
| K-WE-R | 130 |
| K-WSV | 123 |
| L | |
| LS-G | 056 |
| LS-M | 056 |
| N | |
| NR-EG | 078 |
| NR-EL | 080 |
| NR-ET | 080 |
| NR-EW | 079 |
| NR-G | 075 |
| NR-GE-G | 088 |
| NR-GE-M | 091 |

| Parameters | Page |
|------------|------|
| NR-GE-NPT | 087 |
| NR-GE-R | 084 |
| NR-LEE-G | 090 |
| NR-LEE-M | 094 |
| NR-T | 077 |
| NR-TEE-G | 090 |
| NR-TEE-M | 094 |
| NR-EV | 079 |
| NR-VEE-G | 089 |
| NR-VEE-M | 092 |
| NR-VE-R | 085 |
| NR-W | 076 |
| NR-WEE-G | 089 |
| NR-WEE-M | 093 |
| NR-WE-NPT | 088 |
| NR-WE-R | 086 |
| O | |
| O-EG | 199 |
| O-EG-UNF | 216 |
| O-EL | 201 |
| O-EV | 200 |
| O-EW | 200 |
| O-EW-UNF | 216 |
| O-G | 197 |
| O-GE-G | 217 |
| O-GE-M | 221 |
| O-GE-NPT | 206 |
| O-GE-UNF | 212 |
| O-GSV | 203 |
| O-GT-G | 221 |
| O-GT-M | 221 |

| Parameters | Page |
|------------|------|
| O-LEE-G | 220 |
| O-LEE-M | 211 |
| O-LEE-UNF | 215 |
| O-LSV | 205 |
| O-M | 220 |
| O-T | 198 |
| O-TEE-G | 219 |
| O-TEE-M | 211 |
| O-TEE-UNF | 215 |
| O-TL | 201 |
| O-TSV | 205 |
| O-VEE-G | 218 |
| O-VEE-M | 210 |
| O-VEE-UNF | 213 |
| O-VE-NPT | 207 |
| O-VSV | 204 |
| O-W | 198 |
| O-WEE-G | 219 |
| O-WEE-M | 210 |
| O-WEE-UNF | 214 |
| O-WE-NPT | 208 |
| O-WSV | 204 |
| Q | |
| Q-EGE-G | 045 |
| Q-EGE-G-ED | 044 |
| Q-EGE-M-ED | 042 |
| Q-EL-M | 016 |
| Q-ET-M | 015 |
| Q-EW-M | 014 |
| Q-G | 007 |
| Q-GE-G | 031 |

| Parameters | Page |
|------------|------|
| Q-GE-G-ED | 043 |
| Q-GE-M | 026 |
| Q-GE-M-ED | 041 |
| Q-GE-NPT | 022 |
| Q-GE-R | 024 |
| Q-GE-UNF | 036 |
| Q-GFL-L | 251 |
| Q-GFS-S | 248 |
| Q-GR | 008 |
| Q-GSV | 020 |
| Q-K | 011 |
| Q-LEE-G | 034 |
| Q-LEE-M | 029 |
| Q-LEE-UNF | 039 |
| Q-M | 057 |
| Q-T | 010 |
| Q-TEE-G | 035 |
| Q-TEE-M | 030 |
| Q-TEE-UNF | 040 |
| Q-VEE-G | 032 |
| Q-VEE-M | 027 |
| Q-VEE-UNF | 037 |
| Q-W | 009 |
| Q-WEE-G | 033 |
| Q-WEE-M | 028 |
| Q-WEE-UNF | 038 |
| Q-WE-NPT | 023 |
| Q-WE-R | 025 |
| Q-WFL-L | 247 |
| Q-WFS-S | 248 |
| Q-WSV | 021 |

| Parameters | Page |
|------------|------|
| S | |
| S1B-ED | 102 |
| S1BJ9 | 096 |
| S1BL | 098 |
| S1BM | 099 |
| S1BO | 100 |
| S1BW | 101 |
| S1CJ-S1DJ | 046 |
| S1G | 270 |
| S1H | 271 |
| S1H-H | 271 |
| S1JF | 177 |
| S1JL | 178 |
| S1JM | 178 |
| S1JM-ED | 179 |
| S1M | 265 |
| S1N | 231 |
| S1N9 | 232 |
| S1NO | 240 |
| S1O | 273 |
| S1T9-SP | 224 |
| S1T-SP | 223 |
| S1Y | 259 |
| S2B9-G | 111 |
| S2B-G | 111 |
| S2BJ | 097 |
| S2C | 012 |
| S2D | 013 |
| S2GJ | 175 |
| S2JC-2JD | 047 |
| S2K9 | 057 |

| Parameters | Page |
|------------|------|
| S2NB | 103 |
| S2NB9 | 104 |
| S2NU | 113 |
| S2NU4 | 114 |
| S2NU9 | 115 |
| S2NY | 262 |
| S2NY4 | 262 |
| S2NY9 | 262 |
| S2OJ | 166 |
| S2OU | 116 |
| S2OU4 | 117 |
| S2OU9 | 128 |
| S2TB9-SP | 105 |
| S2TB-G-SP | 111 |
| S2TB-SP | 105 |
| S2WB | 101 |
| S2WJ | 144 |
| S2Y | 259 |
| S2Y4 | 260 |
| S2Y9 | 260 |
| S2ZY | 263 |
| S3B | 081 |
| S3B9 | 081 |
| S3C/S3D | 017 |
| S3F | 202 |
| S4B | 082 |
| S4B-ED | 266 |
| S4BN | 266 |
| S4BN-ED | 267 |
| S4C/S4D | 018 |
| S4E | 186 |
| S4F | 202 |

| Parameters | Page |
|------------|------|
| S4G | 270 |
| S4H | 272 |
| S4HN | 272 |
| S4J | 144 |
| S4K | 060 |
| S4M | 269 |
| S4MN | 233 |
| S4MN-ED | 269 |
| S4N | 233 |
| S4O | 273 |
| S4ON | 274 |
| S4P | 274 |
| S4Q | 122 |
| S4S | 067 |
| S4TN | 224 |
| S4T-SP | 224 |
| S4Y | 260 |
| S5B | 106 |
| S5B9 | 107 |
| S5B-ED | 109 |
| S5B-G | 108 |
| S5BN | 107 |
| S5BT | 108 |
| S5GB | 110 |
| S5GN | 244 |
| S5GT | 229 |
| S5HN | 244 |
| S5LN | 245 |
| S5N | 234 |
| S5N9 | 235 |
| S5NO | 243 |
| S5O | 275 |

| Parameters | Page |
|------------|------|
| S5ON | 241 |
| S5ON9 | 242 |
| S5T9-SP | 245 |
| S5TN-SP | 226 |
| S5T-SP | 226 |
| S6B | 083 |
| S6B9 | 084 |
| S7B | 267 |
| S7B9-PK | 268 |
| S7N | 237 |
| S7N4-PK | 237 |
| S7N9-PK | 238 |
| S7NJ-S | 157 |
| S7NU | 118 |
| S7NU9 | 121 |
| S7T | 227 |
| S7T9-PK | 228 |
| S7TB-S | 110 |
| S7Y | 261 |
| S7Y9 | 261 |
| S9B | 083 |
| S9C/S9D | 019 |
| S9E | 187 |
| S9F | 203 |
| S9J | 145 |
| S9J-CAP | 146 |
| S9K | 061 |
| S9N-CAP | 239 |
| S9S | 068 |
| SAN | 232 |
| SBJ | 095 |
| SBK | 060 |

| Parameters | Page |
|------------|------|
| SBS | 067 |
| SCK | 060 |
| SCS | 067 |
| SDB | 082 |
| SGB-PK | 268 |
| SGN-PK | 238 |
| SGT9-PK | 228 |
| SHN | 236 |
| SJN | 236 |
| SU-Y | 263 |
| SZN | 239 |
| SZT | 229 |
| W | |
| WM-G | 057 |
| WM-GE-G | 063 |
| WM-GE-M | 061 |
| WM-GE-R | 065 |
| WM-LEE-G | 065 |
| WM-LEE-M | 063 |
| WM-T | 057 |
| WM-TEE-G | 064 |
| WM-TEE-M | 062 |
| WM-WEE-G | 064 |
| WM-WEE-M | 062 |
| WR-G | 068 |
| WR-GE-G | 069 |
| WR-GE-R | 071 |
| WR-GSV | 069 |
| WR-LEE-G | 071 |
| WR-TEE-G | 070 |

Index

Memorandum

| Parameters | Page |
|------------|------|
| WR-VE-R | 072 |
| WR-WEE-G | 070 |
| WR-WE-R | 073 |

| 1 | |
|-------------|------------|
| 1CI-B/1DI-B | 054 |
| 1CW/1DW | 048 |
| 1CY/1DY | 050 |
| 1EW | 198 |
| 1EW9 | 199 |
| 1FFL | 249 |
| 1FFL9 | 249 |
| 1FFS | 249 |
| 1FFS9 | 254 |
| 1FLW | 253 |
| 1FSW | 254 |
| 1JFL | 250 |
| 1JFL4 | 251 |
| 1JFL9 | 251 |
| 1JFS | 252 |
| 1JFS4 | 252 |
| 1JFS9 | 253 |

| 2 | |
|------------|------------|
| 2WC/2WD | 049 |
| 2WE | 199 |

| 4 | |
|----------|-----|
| 4FL | 254 |
| 4FL-M | 255 |
| 4FS | 255 |

| Parameters | Page |
|------------|------|
| 4FS-M | 255 |

| 5 | |
|-------------|-----|
| 5CB/5DB | 051 |
| 5CB/5DB-GDK | 052 |
| 5CM/5DM | 053 |

| 7 | |
|-------------|-----|
| 7BC/7DB-GDK | 052 |

Multiple horizontal dashed lines for notes.



 **0086-536-2143 000**

**Weifang Fortoone Hydraulic
Technology Co., Ltd.**

No.60 Zhujiang Road, Xin'an street, Anqiu City,
Weifang City, Shandong Province, China

E-mail: hongtao@fortoone.cn

www.fortoone.cn